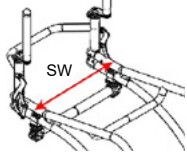
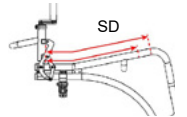
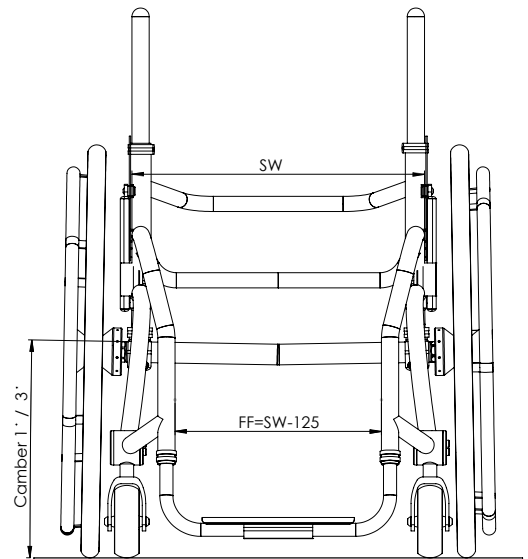
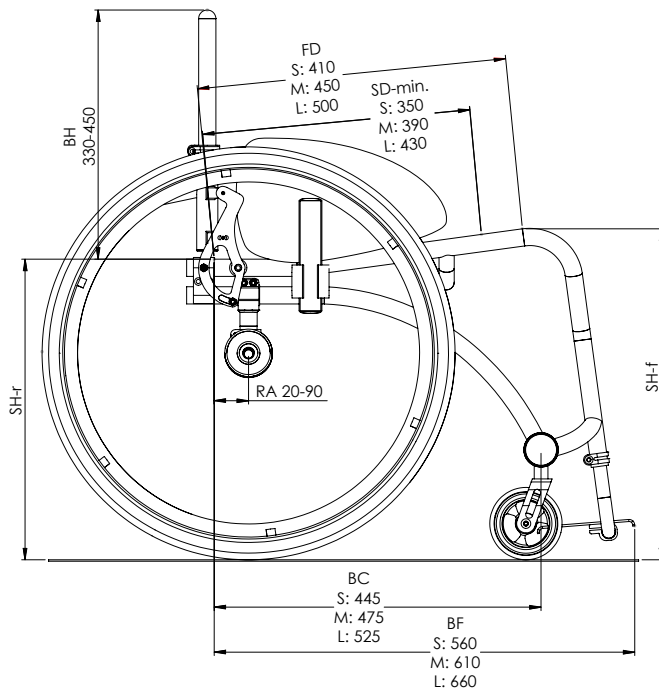


| | | |
|---------------------------------|--|------|
| 1510 ???? ?09 3.649 € | | Hawk |
|---------------------------------|--|------|

| | | |
|--------------|--|--|
| 1510????2109 | | |
| 1510????2509 | | |
| 1510????2909 | | |

| | | |
|--------------|--|--|
| 6190000040?? | | |
| 619000004004 | | |
| 619000004005 | | |
| 619000004006 | | |
| 619000004007 | | |
| 619000004008 | | |

| | 35 cm | 37,5 cm | 40 cm | 42,5 cm | 45 cm | 47,5 cm | 50 cm | |
|--|----------|---------|-------|---------|-------|---------|-------|---|
| | | | | | | | |   |
| | | | | | | | | |
| | _____ cm | | | | | | | |

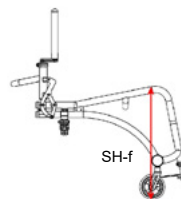


Fill in and send to Wolturnus - Ausfüllen und an Wolturnus senden - Løft/d og send til Wolturnus

Subject to technical modifications and printing errors / Technische Änderungen und Druckfehler vorbehalten
Forbehold for tekniske ændringer og trykfejl

© Wolturnus A/S OF HAWK Winter 2026 v5.0

| | | 46 cm | 46,5 cm | 47 cm | 47,5 cm | 48 cm | 48,5 cm | 49 cm | 49,5 cm | 50 cm | 50,5 cm | 51 cm | 51,5 cm | 52 cm |
|--|----|-------|---------|-------|---------|-------|---------|-------|---------|-------|---------|-------|---------|-------|
| | 4" | - | - | - | - | - | - | - | - | - | - | - | - | - |
| | 5" | - | - | - | - | - | - | - | - | - | - | - | - | - |
| | 6" | - | - | - | - | - | - | - | - | - | - | - | - | - |
| | 4" | - | - | - | - | - | - | - | - | - | - | - | - | - |
| | 5" | - | - | - | - | - | - | - | - | - | - | - | - | - |
| | 6" | - | - | - | - | - | - | - | - | - | - | - | - | - |
| | 4" | - | - | - | - | - | - | - | - | - | - | - | - | - |
| | 5" | - | - | - | - | - | - | - | - | - | - | - | - | - |
| | 6" | - | - | - | - | - | - | - | - | - | - | - | - | - |



| | | |
|-----------------------------|--|--|
| 96640100???? 0 € | | |
| 966401253400 0 € | | |
| 966401503400 0 € | | |
| 860020000000 53 € | | |

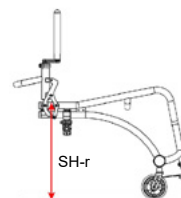
| | | |
|------------------------------|--|--|
| 966401003410 186 € | | |
| 966401253410 186 € | | |




| | | |
|------------------------------|--|--|
| 966401004610 491 € | | |
| 966401254610 491 € | | |

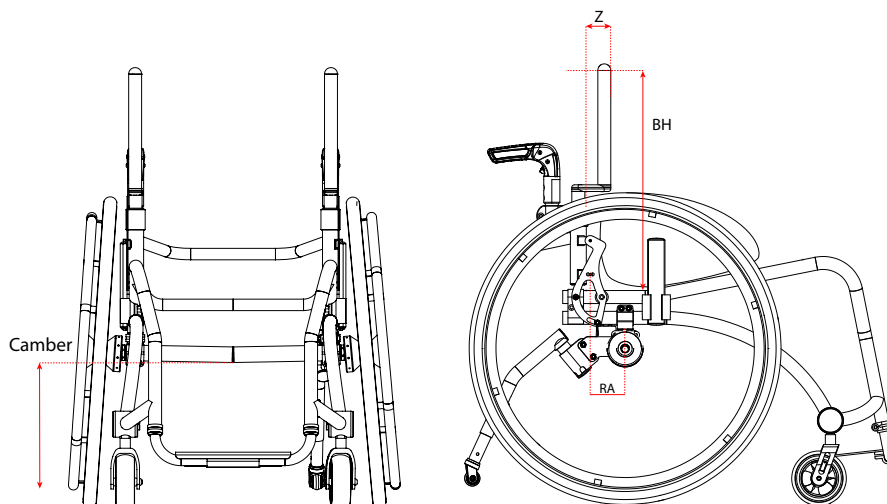
| | | |
|------------------------------|--|--|
| 966401000??? 339 € | | |
| 966401250??? 339 € | | |
| 966401500020 339 € | | |
| 966401000??? 393 € | | |
| 966401250??? 393 € | | |

| | | | | | | | | |
|--|--|--|--|--|--|--|--|--|
| | | | | | | | | |
|--|--|--|--|--|--|--|--|--|

| | | 39 | 40,5 | 41 | 43 | 44 | 45,5 | 46,5 | 48 |
|--|-----|----|------|----|----|----|------|------|----|
| | 22" | - | - | - | - | - | - | - | - |
| | 24" | - | - | - | - | - | - | - | - |
| | 25" | - | - | - | - | - | - | - | - |



| | 22" | 24" | 25" | | |
|--------------|-----|-----|-----|-------|---|
| 85102??01009 | | | | 0.- | |
| 8510??101002 | | | | 268 € | |
| 85352?101008 | | | | 933 € |  |
| 85352?101208 | | | | 933 € | |
| 85352?101508 | - | | | 933 € | |
| 85352?101308 | | | | 933 € | |
| 85352?102108 | | | | 933 € | |
| 85352?101009 | | | | 724 € |  |
| 85352?101209 | | | | 724 € | |
| 85352?101509 | - | | | 724 € | |
| 85352?101309 | | | | 724 € | |
| 85352?101?09 | | | | 724 € | |
| 85352?101608 | | | | 990 € |  |
| 85352?101408 | | | | 990 € | |
| 85352?101808 | - | | | 990 € | |
| 85352?101708 | | | | 990 € | |
| | 22" | 24" | 25" | | |
| 9662????00?? | | | | 0 € | |
| 96622?01000? | | | | 72 € | |
| 96622?010009 | | | | 154 € | |
| 96622?010021 | - | | | 154 € | |
| 85512?10200? | | | | 0 € | |
| 85512?102008 | - | | | 202 € | |
| 85502?103009 | - | | | 186 € | |
| 85552?000009 | | | | 524 € | |
| 8554202?0601 | - | | | 328 € | |
| 8554262?0601 | - | | | 588 € | |
| 8554272?0601 | - | | | 588 € | |
| 8554282?0601 | | | | 595 € | |
| 9669282?0602 | | | | 595 € | |
| 8554302?0601 | | | | 595 € | |
| 8554502?060? | - | | | 715 € | |
| 8554502?060? | - | | | 715 € | |
| 85712?102009 | | | | 186 € | |



| | | |
|--------------|--|--|
| 611500010001 | | |
| 611500030001 | | |

| | | | | | | | | | | |
|--------------|---|-----|------|------|------|------|------|------|------|------|
| 611000000001 | ! | RA: | 2 cm | 3 cm | 4 cm | 5 cm | 6 cm | 7 cm | 8 cm | 9 cm |
|--------------|---|-----|------|------|------|------|------|------|------|------|

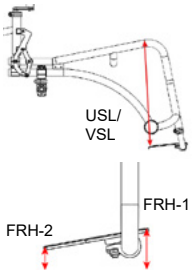
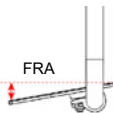
| | | | |
|--|---|--|----------|
| | ! | | _____ cm |
|--|---|--|----------|


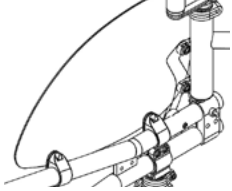
| | | |
|-----------------------|--|--|
| 825010000000 | | |
| 82501000???? 583 € | | |


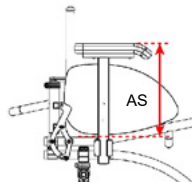



| | | |
|-----------------------|--|--|
| 953599992001 344 € | | |
| 953599992002 344 € | | |

| | | | |
|-----------------------|---|--|-----------------------|
| 750000009000 275 € | | | ! |
| - 0 € | | | _____ cm / _____ cm |
| 750000000005 71 € | ! | | 5cm Std. 7cm |
| | | | Medium Std. Hard |

Fill in and send to Wolturnus - Ausfüllen und an Wolturnus senden - Løft/d og send til Wolturnus

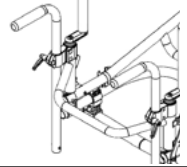
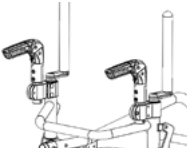
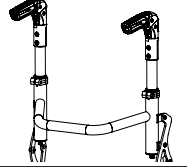
| | | | | | | | | | |
|------------------------------|--|------|------|--------|------|--------|------|--|---|
| 614500??0001 | | | | | | | | |  |
| | | | | | | | | | USL/ VSL |
| | | | | | | | | | FRH-1 _____ cm |
| | | | | | | | | | FRH-2 _____ cm |
| 95359990?70 0 € | | | | | | | | | FRH-2 |
| 829999010003 547 € | | | | | | | | | FRD: _____ cm |
| 829999010009 514 € | | | | | | | | | FRD: _____ cm |
| 840710001010 881 € | FreeWheelSM Wheelchair Attachment | | | | | | | | |
| | | | | | | | | |  |
| | | 0 cm | 1 cm | 1,5 cm | 2 cm | 2,5 cm | 3 cm | | |








| | | | |
|--------------|--|---|--|
| | |  |  |
| | | 95359930005C | 681000010010 |
| 88100010000? | | 0 € | 142 € |
| 88100020000? | | 741 € | 883 € |
| 88100030000? | | 775 € | 960 € |
| 767000000010 | | 174 € | |

| | | | |
|--|----------|---|---|
| 951000080220 88110010000? 573 € | |  |  |
| 951000080126 88110010000? 573 € | |  | |
| 951000080121 88110010000? 573 € | |  | |
| 951000080122 88110010000? 573 € | |  | |
| | ! | | AS: _____ cm |

Subject to technical Modifications and Printing Errors / Technische Änderungen und Druckfehler vorbehalten
Forbehold for tekniske ændringer og trykfej

© Wolturnus A/S OF HAWK Winter 2026 v5.0

| | | | NEIN / NEJ |
|------------------------------|--|--|---|
| 885200011007 547 € | | |  |
| 885200051007 601 € | | |  |
| 8852000510?? 191 € | | |  |

| | | | |
|--|--|--|---|
| 953500003000 186 € | | |  |
| 7600000100?? 71 € 65 € | | |  |
| 76100000000? 169 € 235 € | | |  |
| 7711000007?? 118 € 118 € 118 € | | |   |
| 771100000747 118 € | | |   |

| | | |
|---|--|--|
| <p>885110101001 0 €</p> | |  |
| <p>885110101003 0 €</p> | |  |
| <p>885110122002 61 € 885110122002 122 €</p> | |  |
| <p>885110201009 163 €</p> | |  |
| <p>885110200909 207 €</p> | |  |
| <p>885110101101 207 €</p> | |  |
| <p>885110201209 235 €</p> | |  |

| | |
|--|--|
| | |
| | |

Fill in and send to Wolturnus - Ausfüllen und an Wolturnus senden - Løff/d og send til Wolturnus

Subject to Technical Modifications and Printing Errors / Technische Änderungen und Druckfehler vorbehalten
Forbehold for tekniske ændringer og trykfej

© Wolturnus A/S OF HAWK Winter 2026 v5.0

