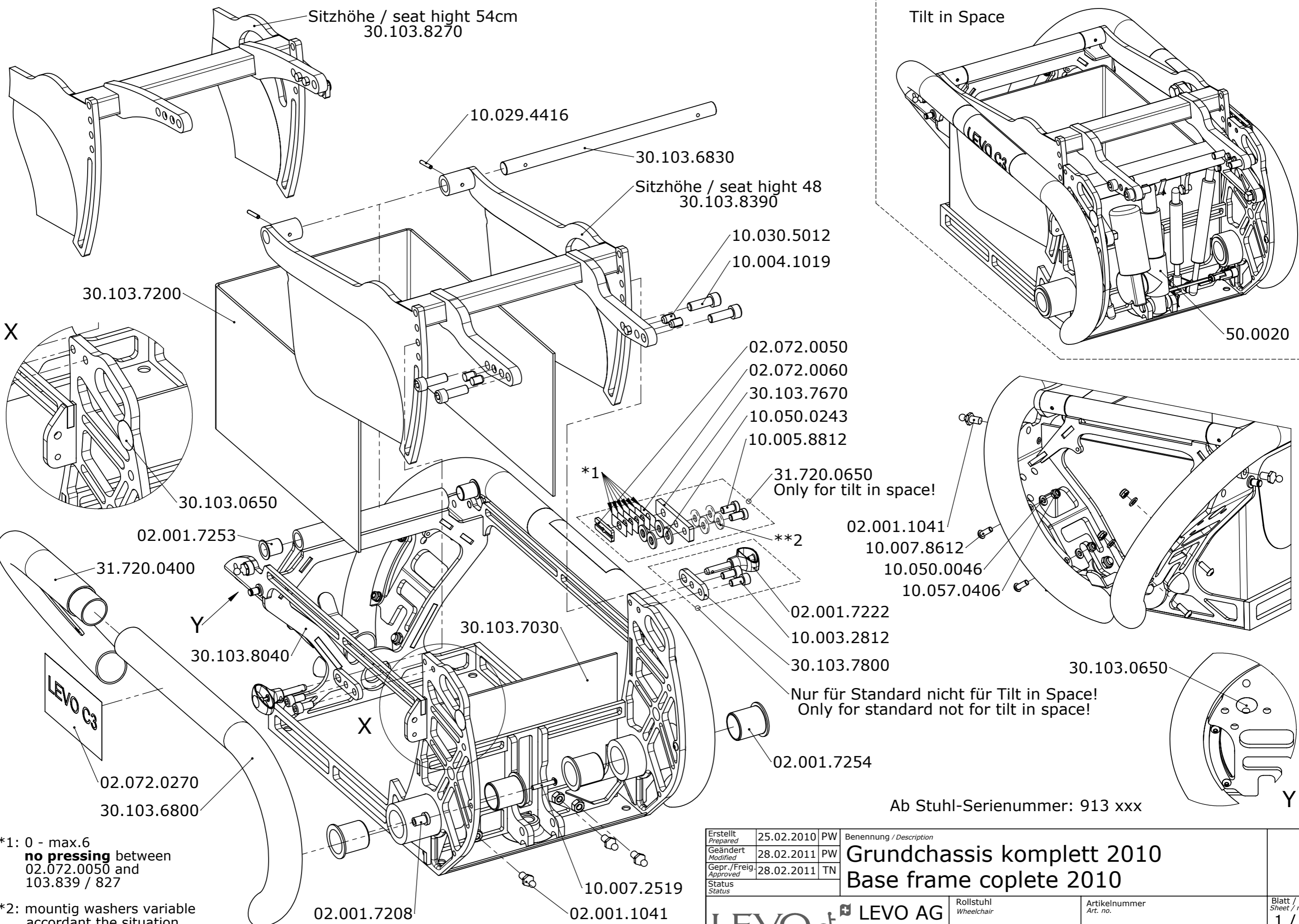


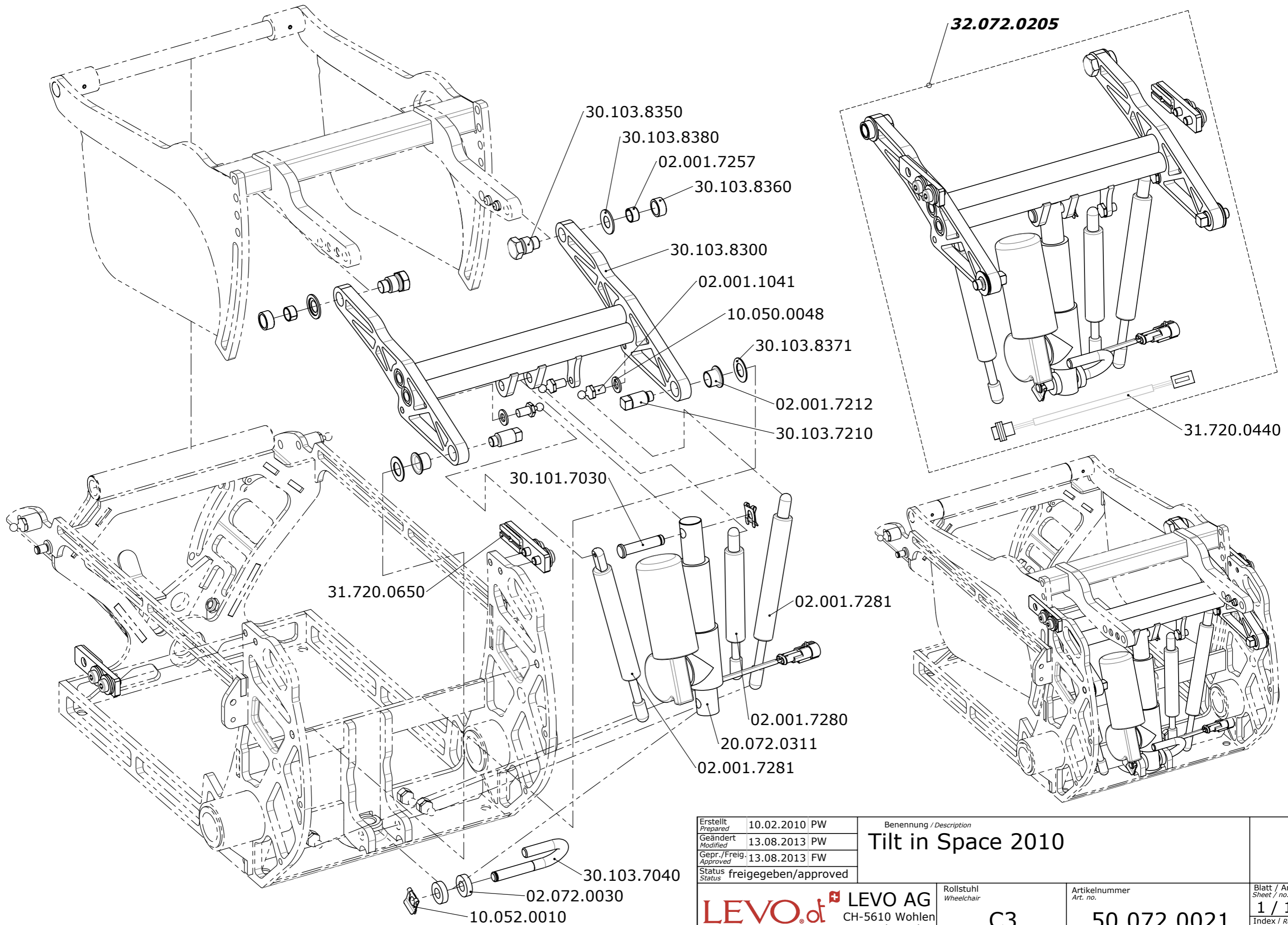
|  |            |    |                                |                                  |                                       |
|--|------------|----|--------------------------------|----------------------------------|---------------------------------------|
| Erstellt<br><i>Prepared</i>              | 23.02.2009 | PW | Benennung / Description        |                                  |                                       |
| Geändert<br><i>Modified</i>              |            | -  | C3                             |                                  |                                       |
| Gepr./Freig.<br><i>Approved</i>          | 01.04.2009 | TN |                                |                                  |                                       |
| Status                                   |            |    |                                |                                  |                                       |
| LEVO AG<br>CH-5610 Wohlen<br>www.levo.ch |            |    | Rollstuhl<br><i>Wheelchair</i> | Artikelnummer<br><i>Art. no.</i> | Blatt / Anz.<br><i>Sheet / no. of</i> |
|  |            |    | C3                             | 50.072.0000                      | 1 / 1<br>Index / Rev.                 |



\*1: 0 - max.6  
**no pressing** between  
02.072.0050 and  
103.839 / 827

\*\*2: mounting washers variable  
accordant the situation  
**mounting all washers anytime**

|                                    |            |    |                                   |                                |
|------------------------------------|------------|----|-----------------------------------|--------------------------------|
| Erstellt<br>Prepared               | 25.02.2010 | PW | Benennung / Description           |                                |
| Geändert<br>Modified               | 28.02.2011 | PW | <b>Grundchassis komplett 2010</b> |                                |
| Gepr./Freig.<br>Approved           | 28.02.2011 | TN | <b>Base frame coplete 2010</b>    |                                |
| Status                             |            |    |                                   |                                |
| LEVO AG<br>THE EXPERTS IN STANDING |            |    | Rollstuhl<br>Wheelchair           | Blatt / Anz.<br>Sheet / no. of |
|                                    |            |    | C3                                | 1 / 1                          |
|                                    |            |    | Artikelnummer<br>Art. no.         | Index / Rev.                   |
|                                    |            |    | 50.072.0011                       | B                              |



|                                 |                      |    |
|---------------------------------|----------------------|----|
| Erstellt<br><i>Prepared</i>     | 10.02.2010           | PW |
| Geändert<br><i>Modified</i>     | 13.08.2013           | PW |
| Gepr./Freig.<br><i>Approved</i> | 13.08.2013           | FW |
| Status<br><i>Status</i>         | freigegeben/approved |    |

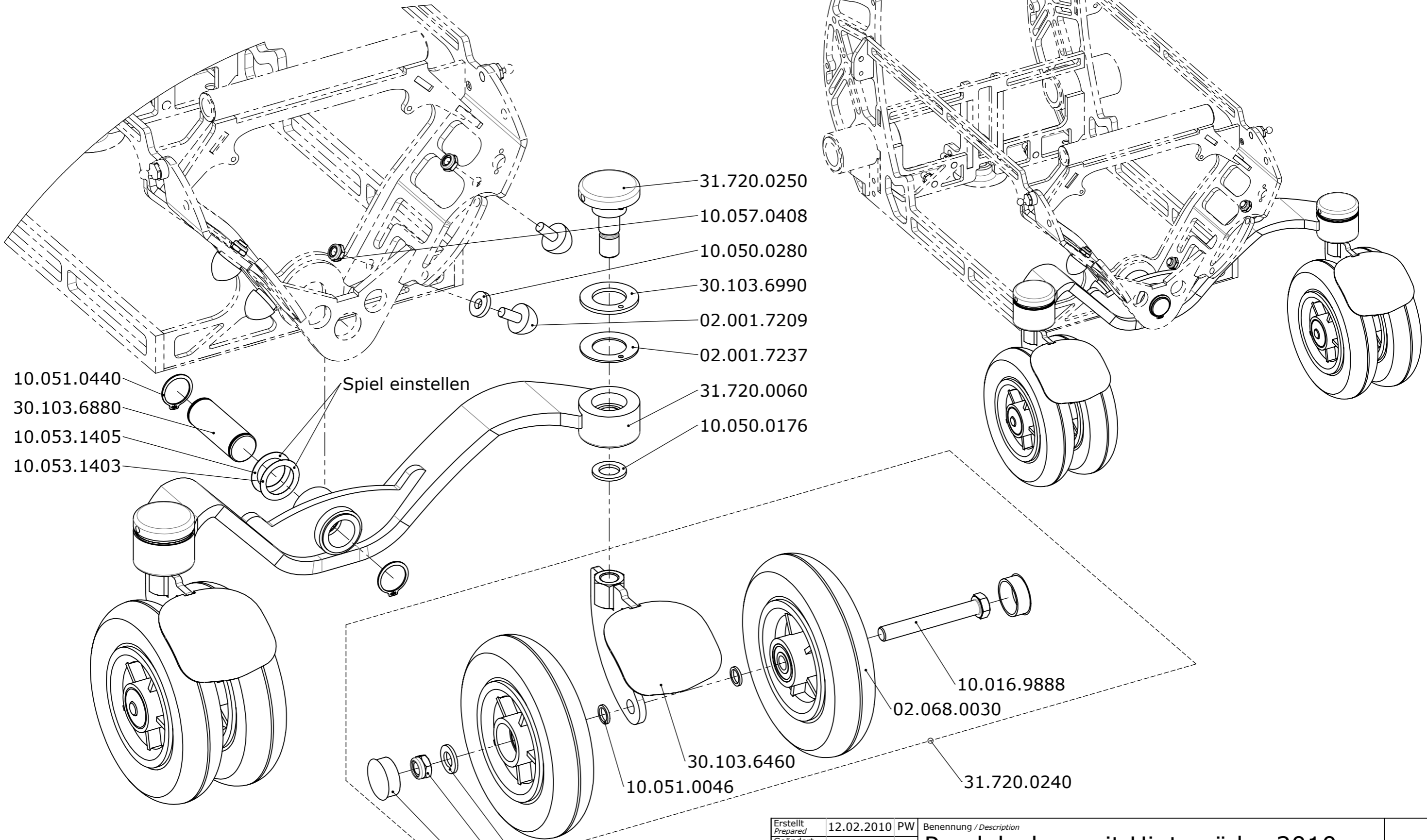
|                           |  |
|---------------------------|--|
| Benennung / Description   |  |
| <b>Tilt in Space 2010</b> |  |

**LEVO**.<sup>+</sup> LEVO AG  
 CH-5610 Wohlen  
 www.levo.ch  
 THE EXPERTS IN STANDING

Rollstuhl  
*Wheelchair*  
**C3**

Artikelnummer  
*Art. no.*  
**50.072.0021**

Blatt / Anz.  
*Sheet / no. of*  
**1 / 1**  
 Index / Rev.  
**B**



|                          |            |    |
|--------------------------|------------|----|
| Erstellt<br>Prepared     | 12.02.2010 | PW |
| Geändert<br>Modified     | 19.04.2017 | PW |
| Gepr./Freig.<br>Approved | 19.04.2017 | FW |
| Status                   |            |    |

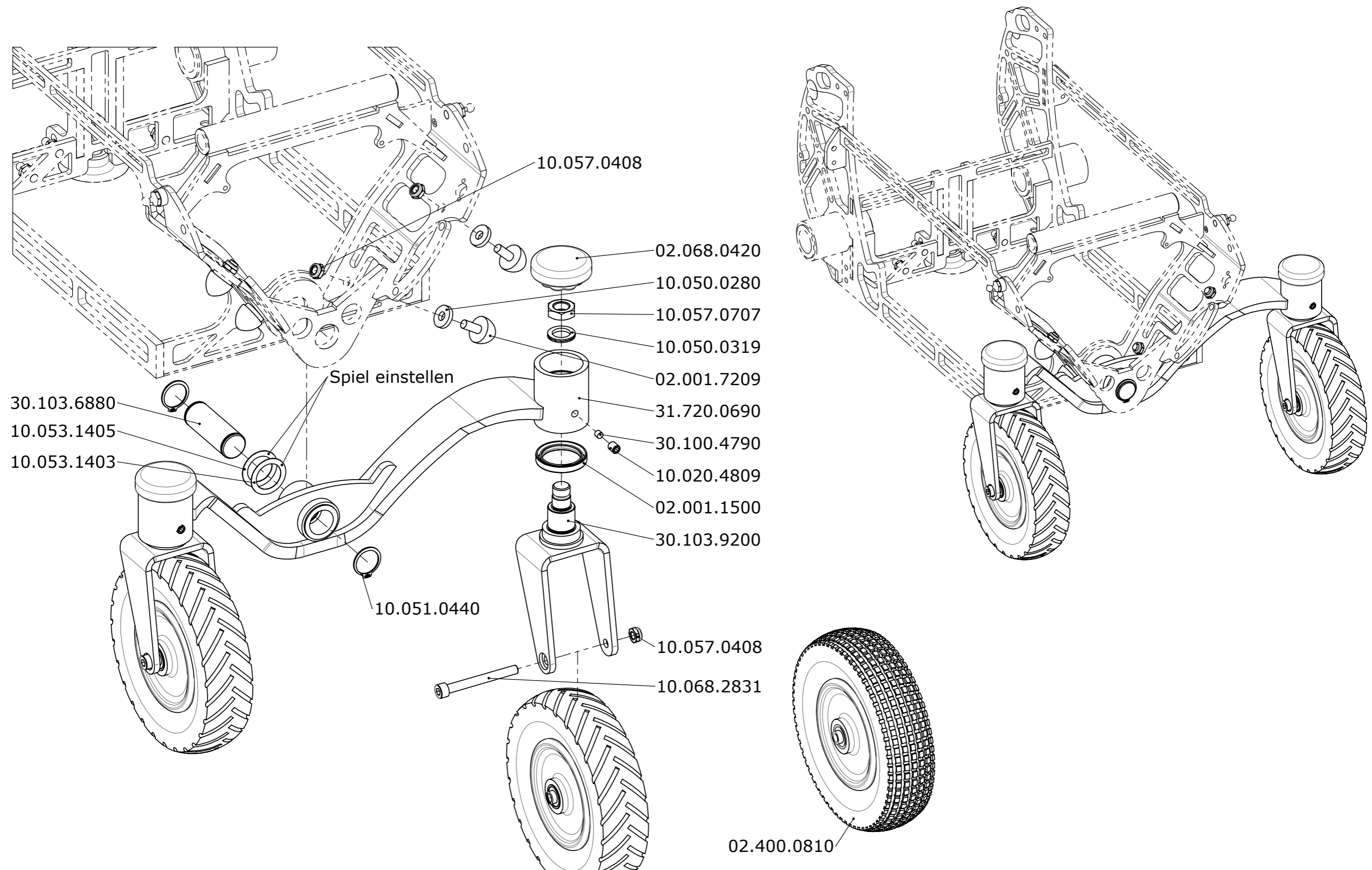
Benennung / Description  
**Pendelachse mit Hinterräder 2010**  
**Pendulum axle with rear wheel 2010**

**LEVO**.<sup>+</sup> LEVO AG  
 CH-5610 Wohlen  
 www.levo.ch  
 THE EXPERTS IN STANDING

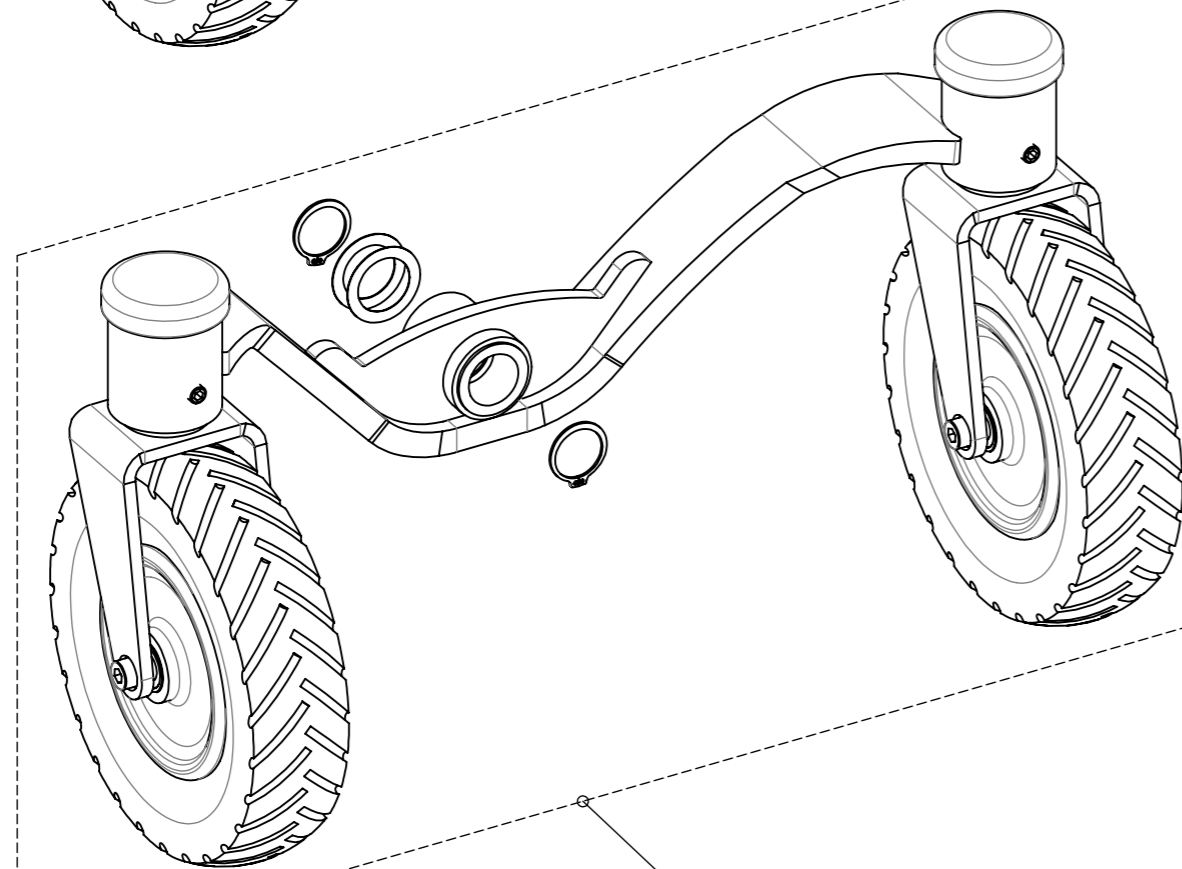
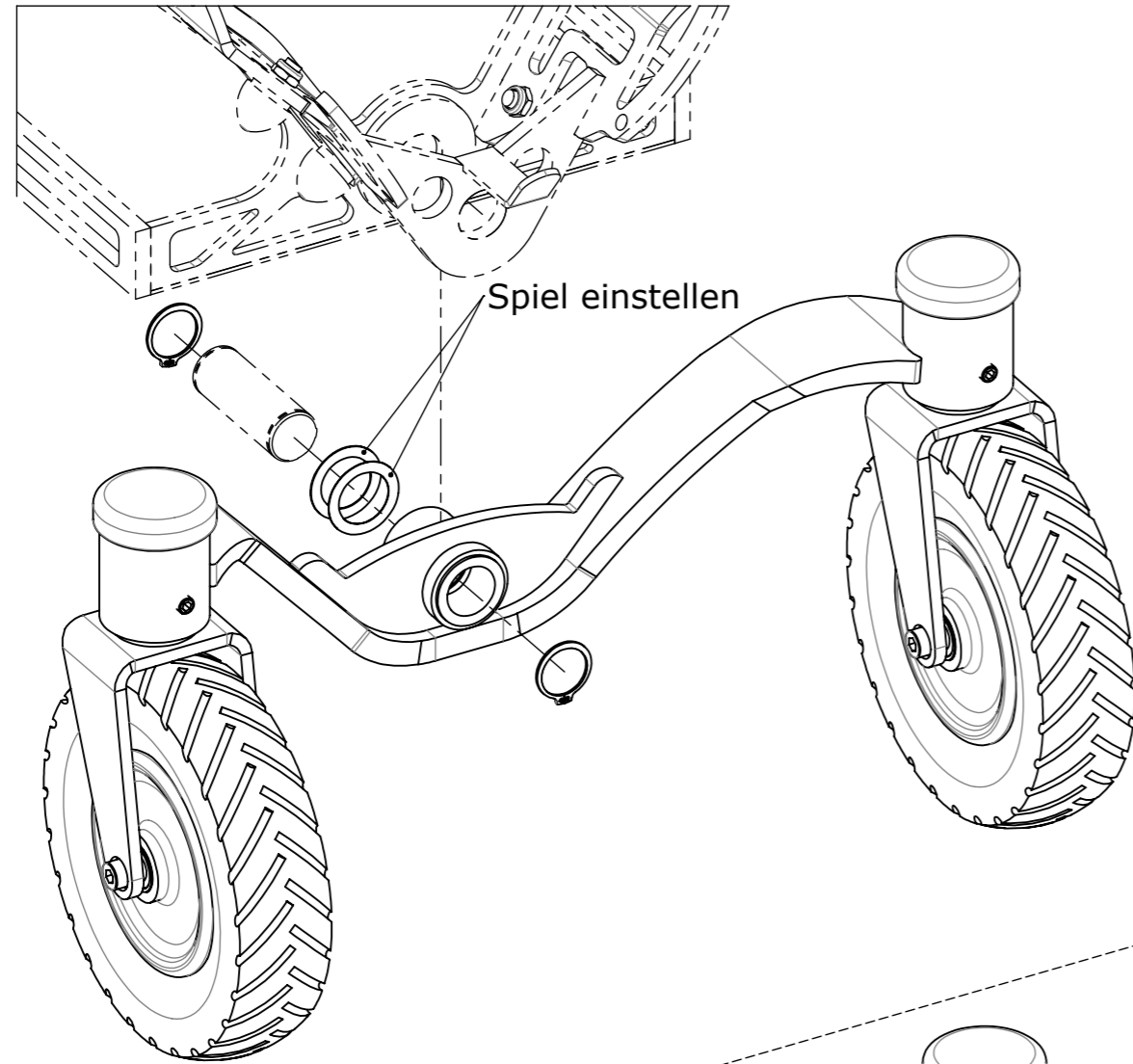
Rollstuhl  
 Wheelchair  
**C3**

Artikelnummer  
 Art. no.  
**50.072.0031**

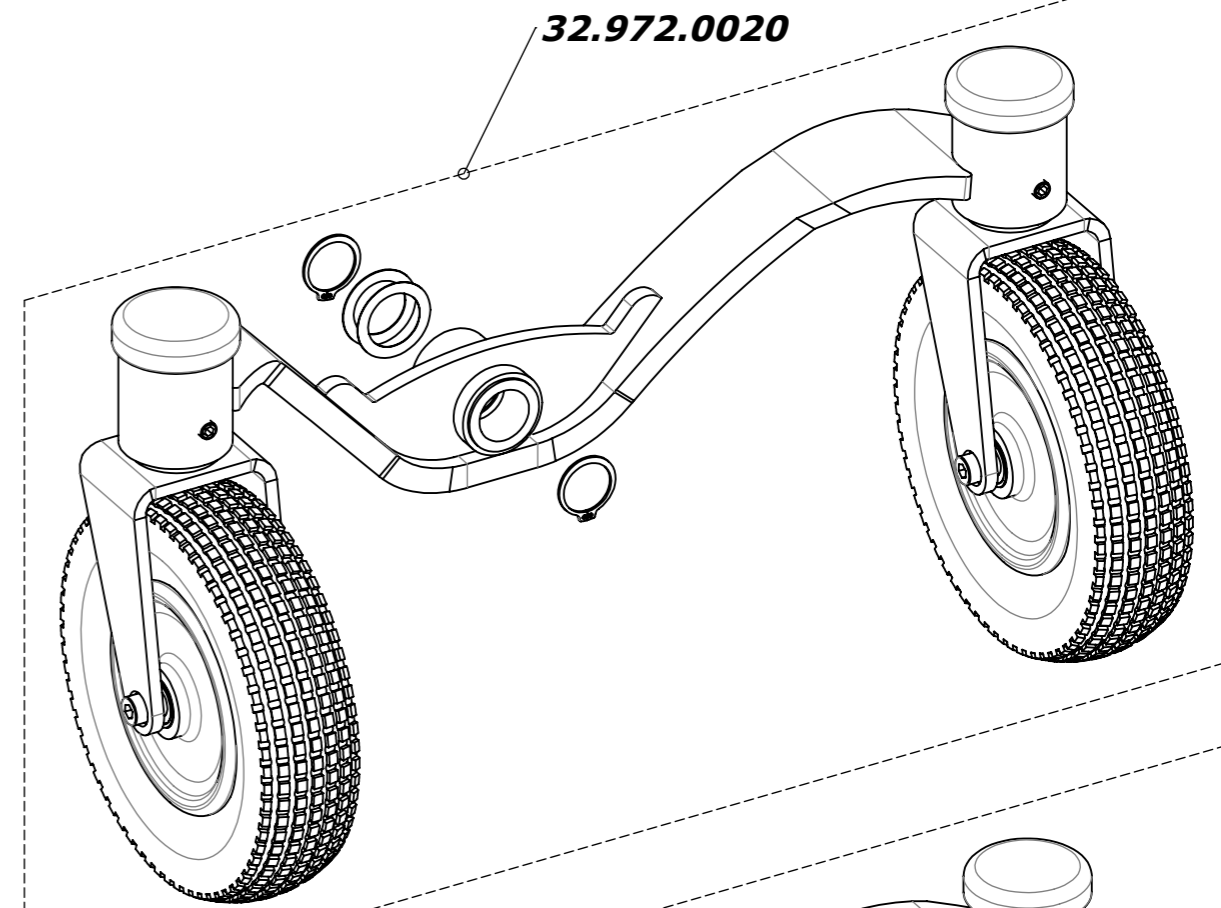
Blatt / Anz.  
 Sheet / no. of  
**1 / 1**  
 Index / Rev.  
**A**



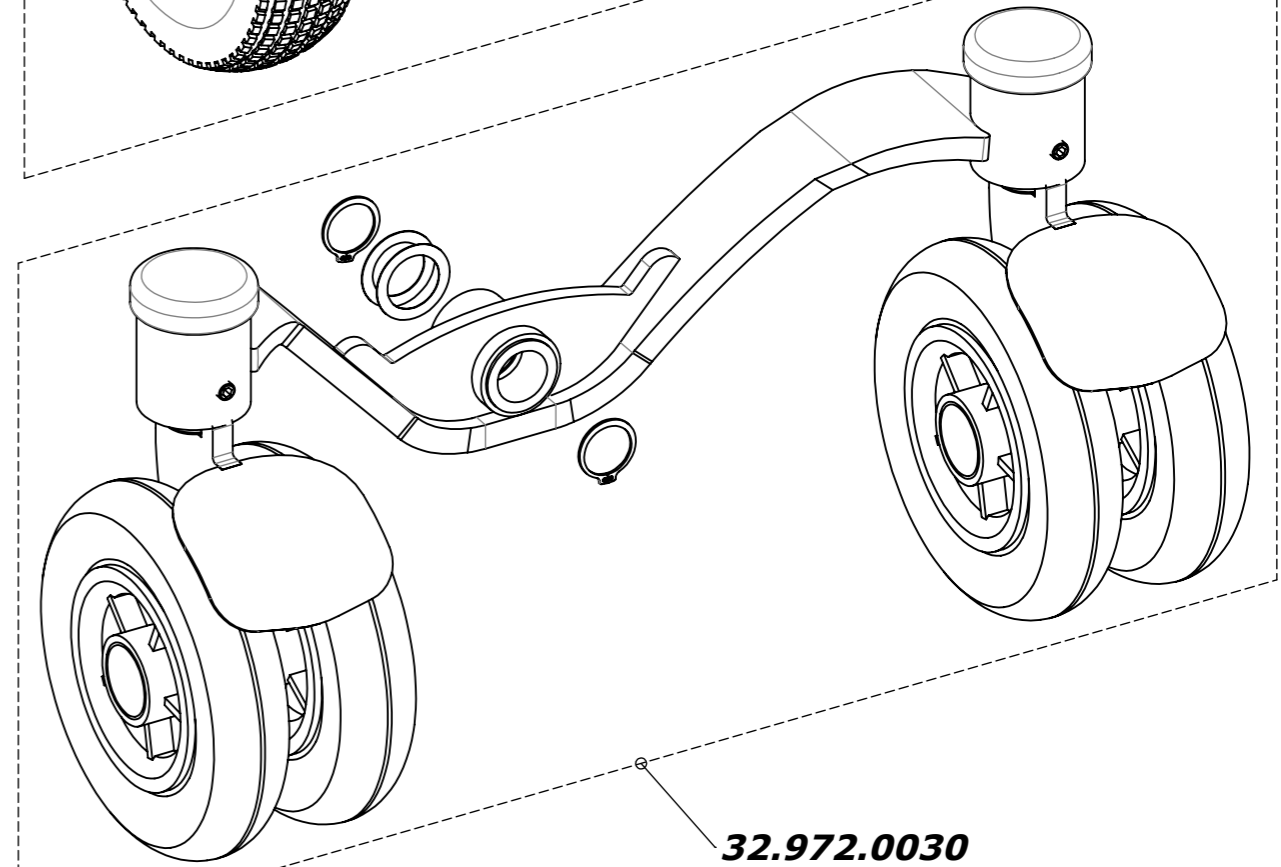
|   |                      |   |  |
|---|----------------------|---|--|
| Erstellt<br><i>Prepared</i>   | 31.05.2011 PW        | Benennung / Description<br><b>Pendelachse mit Hinterräder 8" 2011</b><br><b>Pendulum axle with rear wheel 8" 2011</b> | Blatt / Anz<br><i>Sheet / no. of</i><br><b>1 / 1</b>   |
| Geändert<br><i>Modified</i>   | 19.04.2017 PW        |   |  |
| Gepr./Freig.<br><i>Approved</i>   | 19.04.2017 FW        |   |  |
| Status<br><i>Status</i>   | freigegeben/approved |   |  |
|  <b>LEVO AG</b><br>CH-5610 Wohlen<br>www.levo.ch |                      | Rollstuhl<br><i>Wheelchair</i><br><b>C3</b>   | Artikelnummer<br><i>Art. no.</i><br><b>50.072.0032</b> |
| THE EXPERTS IN STANDING   |                      |   | Index / Rev.<br><b>H</b>                               |



**32.972.0010**



**32.972.0020**



**32.972.0030**

|                                 |                      |    |
|---------------------------------|----------------------|----|
| Erstellt<br><i>Prepared</i>     | 19.04.2017           | PW |
| Geändert<br><i>Modified</i>     |                      |    |
| Gepr./Freig.<br><i>Approved</i> | 19.04.2017           | FW |
| Status                          | freigegeben/approved |    |

Benennung / Description  
**Austausch Pendelachse**  
**Exchange pendulum axle**

**LEVO**.<sup>+</sup>  
 THE EXPERTS IN STANDING

**LEVO AG**  
 CH-5610 Wohlen  
 www.levo.ch

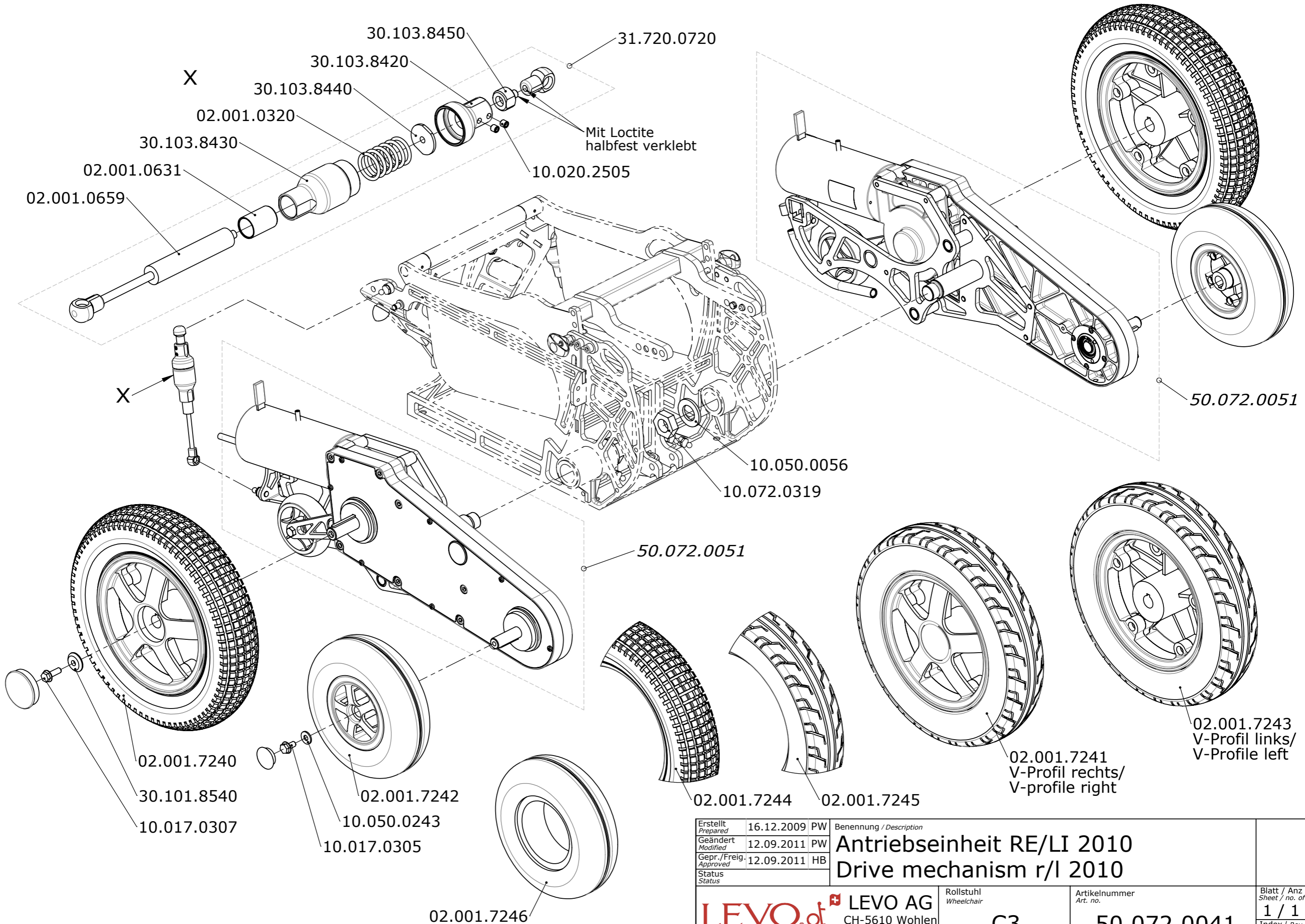
Rollstuhl  
 Wheelchair

**C3**

Artikelnummer  
 Art. no.

**50.072.0036**

Blatt / Anz.  
 Sheet / no. of  
**1 / 1**  
 Index / Rev.  
 -



|                          |            |    |
|--------------------------|------------|----|
| Erstellt<br>Prepared     | 16.12.2009 | PW |
| Geändert<br>Modified     | 12.09.2011 | PW |
| Gepr./Freig.<br>Approved | 12.09.2011 | HB |
| Status                   |            |    |

Benennung / Description

**Antriebseinheit RE/LI 2010**  
**Drive mechanism r/l 2010**

**LEVO**.<sup>+</sup> LEVO AG  
CH-5610 Wohlen  
www.levo.ch

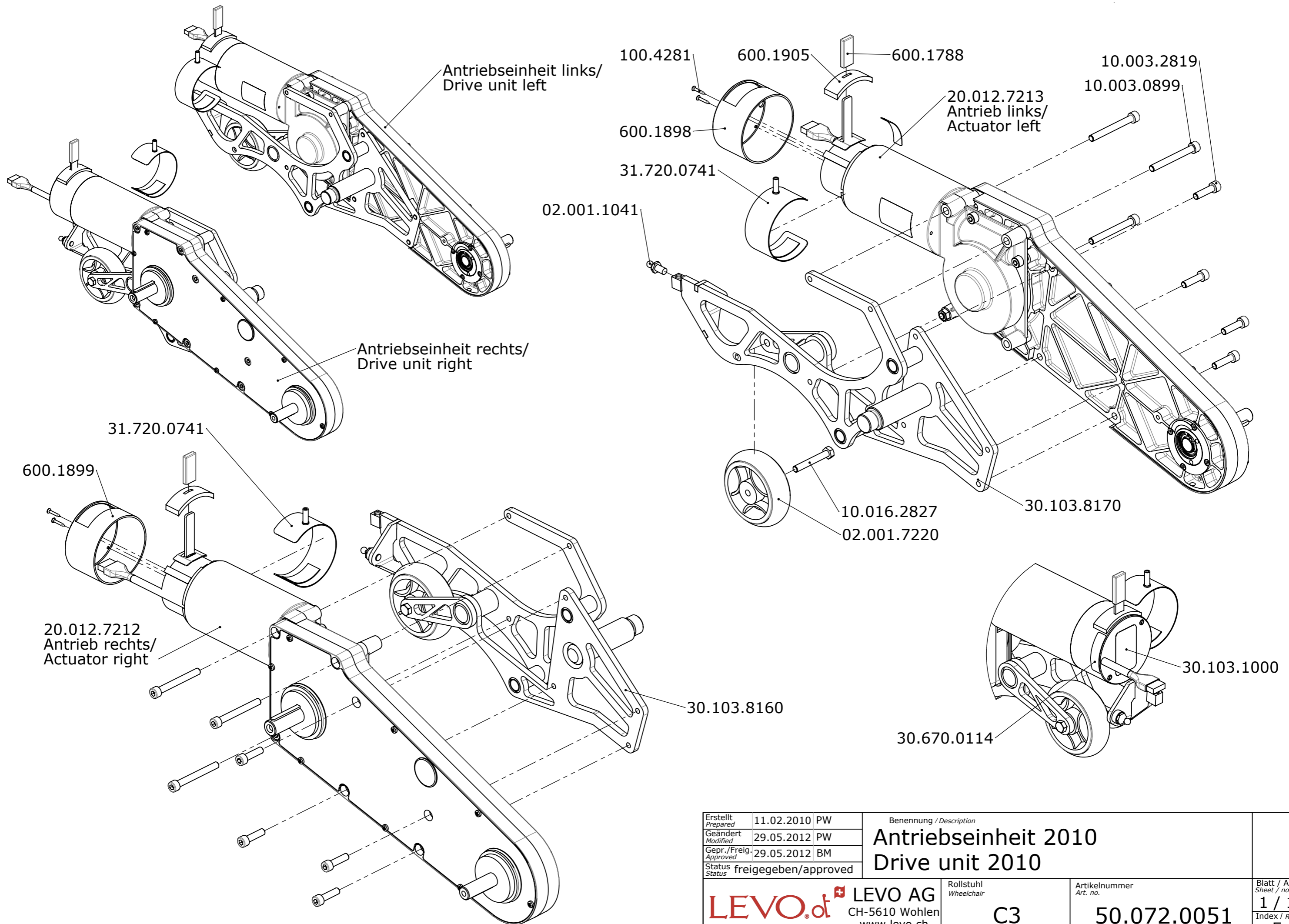
Rollstuhl  
Wheelchair


**C3**

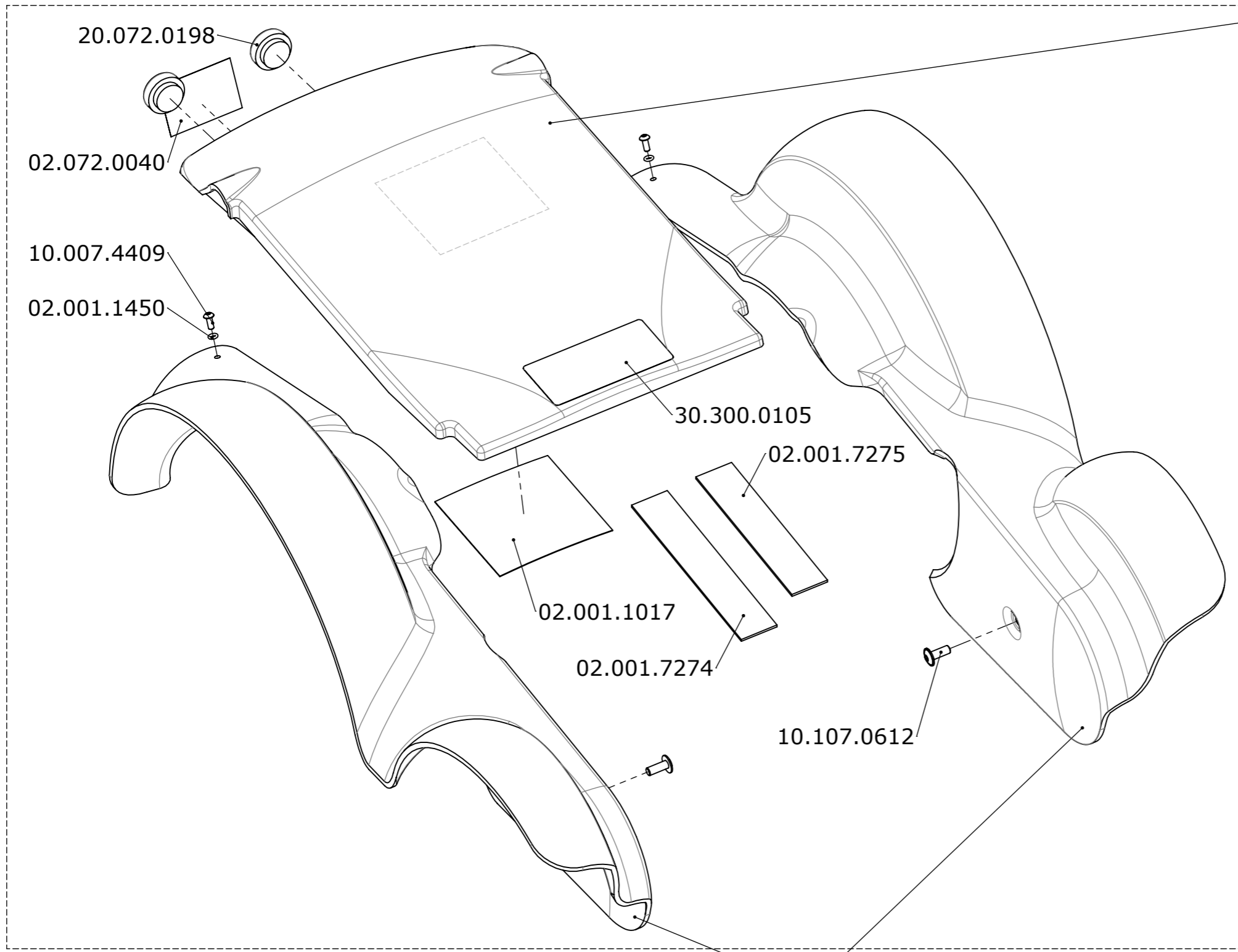
Artikelnummer  
Art. no.

**50.072.0041**

Blatt / Anz.  
Sheet / no. of  
**1 / 1**  
Index / Rev.  
**D**



|   |                      |   |                                  |                                       |
|---|----------------------|---|----------------------------------|---------------------------------------|
| Erstellt<br><i>Prepared</i>   | 11.02.2010 PW        | Benennung / Description                               |                                  |                                       |
| Geändert<br><i>Modified</i>   | 29.05.2012 PW        | <b>Antriebseinheit 2010</b><br><b>Drive unit 2010</b> |                                  |                                       |
| Gepr./Freig.<br><i>Approved</i>   | 29.05.2012 BM        |   |                                  |                                       |
| Status  | freigegeben/approved |   |                                  |                                       |
|  <b>LEVO AG</b><br>CH-5610 Wohlen<br>www.levo.ch |                      | Rollstuhl<br><i>Wheelchair</i>                        | Artikelnummer<br><i>Art. no.</i> | Blatt / Anz.<br><i>Sheet / no. of</i> |
|   |                      | <b>C3</b>   | <b>50.072.0051</b>               | <b>1 / 1</b>                          |
|   |                      |   |                                  | Index / Rev.<br><b>E</b>              |



| Heckabdeckung / tail cover |                 | Artikelnummer / Article no. |
|----------------------------|-----------------|-----------------------------|
| Farbe / color              | color           | Article no.                 |
| blau                       | blue            | 30.103.6502                 |
| gelb                       | yellow          | 30.103.6503                 |
| rot                        | red             | 30.103.6504                 |
| schwarz                    | black           | 30.103.6505                 |
| rot metallic               | red metallic    | 30.103.6506                 |
| blau metallic              | blue metallic   | 30.103.6507                 |
| grün metallic              | green metallic  | 30.103.6508                 |
| silber metallic            | silver metallic | 30.103.6509                 |
| orange reflex              | orange reflex   | 30.903.6501                 |
| lemon reflex               | lemon reflex    | 30.903.6503                 |
| silber reflex              | silver reflex   | 30.903.6504                 |
| RAL                        | RAL             | 30.903.6502                 |

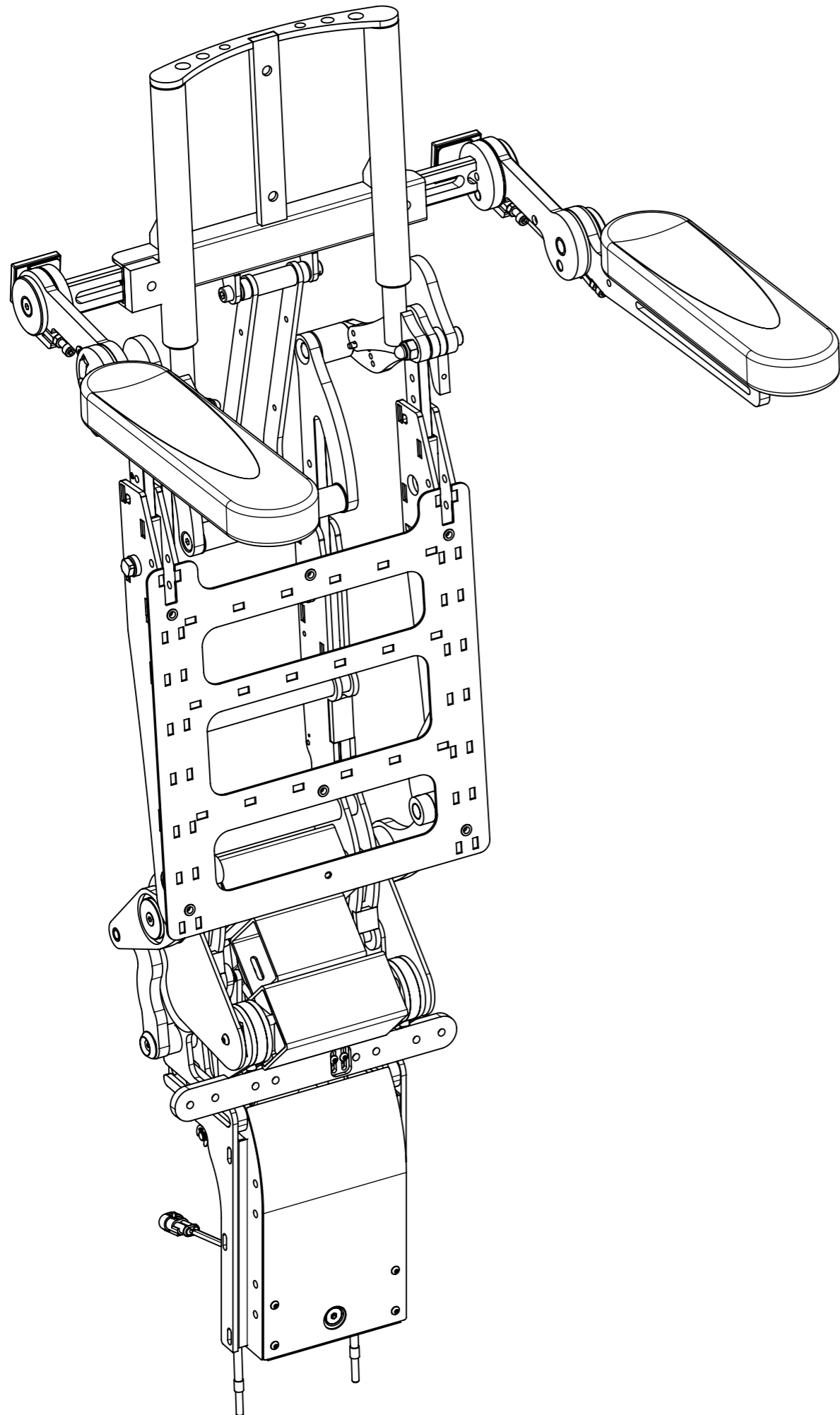
| Abdeckungs-Set / Cover-set |                 | Artikelnummer / Article no. |
|----------------------------|-----------------|-----------------------------|
| Farbe / color              | color           | Article no.                 |
| blau                       | blue            | 32.072.0212                 |
| gelb                       | yellow          | 32.072.0213                 |
| rot                        | red             | 32.072.0214                 |
| schwarz                    | black           | 32.072.0215                 |
| rot metallic               | red metallic    | 32.072.0216                 |
| blau metallic              | blue metallic   | 32.072.0217                 |
| grün metallic              | green metallic  | 32.072.0218                 |
| silber metallic            | silver metallic | 32.072.0219                 |
| orange reflex              | orange reflex   | 32.072.0221                 |
| lemon reflex               | lemon reflex    | 32.072.0222                 |
| silber reflex              | silver reflex   | 32.072.0223                 |
| RAL                        | RAL             | 32.072.0224                 |

(02.072.0040)



| Radabdeckung / Wheel cover |                 | rechts/right  | links/left  |
|----------------------------|-----------------|---------------|-------------|
| Farbe / color              | color           | Artikelnummer | Article no. |
| blau                       | blue            | 30.103.6512   | 30.103.6522 |
| gelb                       | yellow          | 30.103.6513   | 30.103.6523 |
| rot                        | red             | 30.103.6514   | 30.103.6524 |
| schwarz                    | black           | 30.103.6515   | 30.103.6525 |
| rot metallic               | red metallic    | 30.103.6516   | 30.103.6526 |
| blau metallic              | blue metallic   | 30.103.6517   | 30.103.6527 |
| grün metallic              | green metallic  | 30.103.6518   | 30.103.6528 |
| silber metallic            | silver metallic | 30.103.6519   | 30.103.6529 |
| orange reflex              | orange reflex   | 30.903.6511   | 30.903.6521 |
| lemon reflex               | lemon reflex    | 30.903.6513   | 30.903.6523 |
| silber reflex              | silver reflex   | 30.903.6514   | 30.903.6524 |
| RAL                        | RAL             | 30.903.6512   | 30.903.6522 |

|  |  |                        |  |   |
|--|--|------------------------|--|---|
| Erstellt / Prepared: 16.09.2008 PW       | Benennung / Description<br><b>Abdeckungen<br/>Covers</b> | Rollstuhl / Wheelchair | Artikelnummer / Art. no.<br><b>50.072.0060</b> | Blatt / Anz. / Sheet / no. of<br><b>1 / 1</b> |
| Geändert / Modified: 09.03.2015 PW       |  |                        |  |   |
| Gepr. / Freig. / Approved: 09.03.2015 FW |  |                        |  |   |
| Status: freigegeben/approved             | LEVO AG<br>CH-5610 Wohlen<br>www.levo.ch                 |                        | <b>C3</b>                                      | Index / Rev.<br><b>D</b>                      |

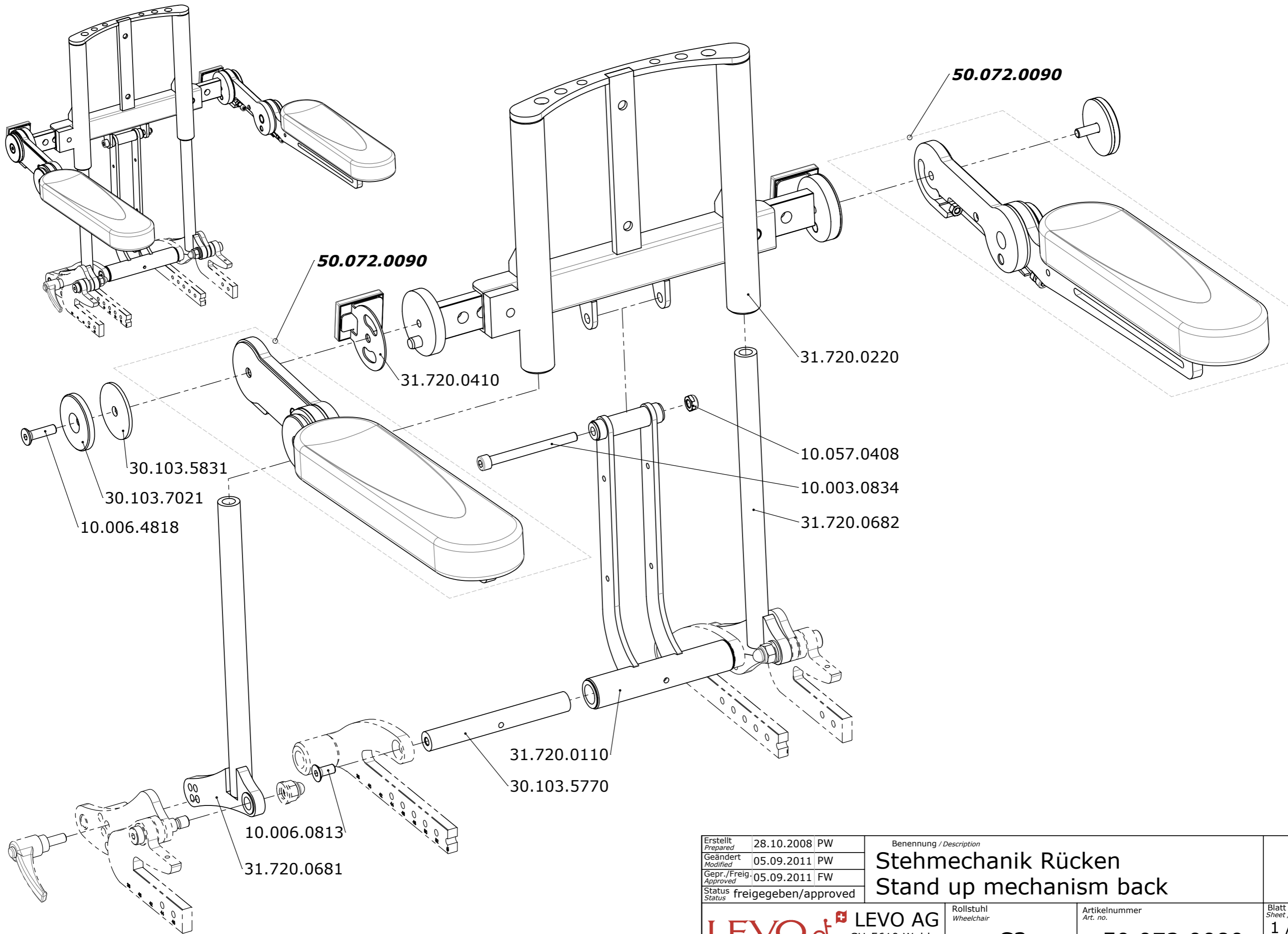


50.072.0080

50.072.0100

50.072.0121

|   |            |    |  |                                  |                                       |
|---|------------|----|--|----------------------------------|---------------------------------------|
| Erstellt<br><i>Prepared</i>   | 10.02.2010 | PW | Benennung / Description                      |                                  |                                       |
| Geändert<br><i>Modified</i>   |            | -  | Stehmechanik 2010<br>Stand up mechanism 2010 |                                  |                                       |
| Gepr./Freig.<br><i>Approved</i>   | 16.04.2010 | TN |  |                                  |                                       |
| Status<br><i>Status</i>   |            |    | Rollstuhl<br><i>Wheelchair</i>               | Artikelnummer<br><i>Art. no.</i> | Blatt / Anz.<br><i>Sheet / no. of</i> |
|  <b>LEVO AG</b><br>CH-5610 Wohlen<br>www.levo.ch |            |    | <b>C3</b>                                    | <b>50.072.0071</b>               | <b>1 / 1</b><br>Index / Rev.          |



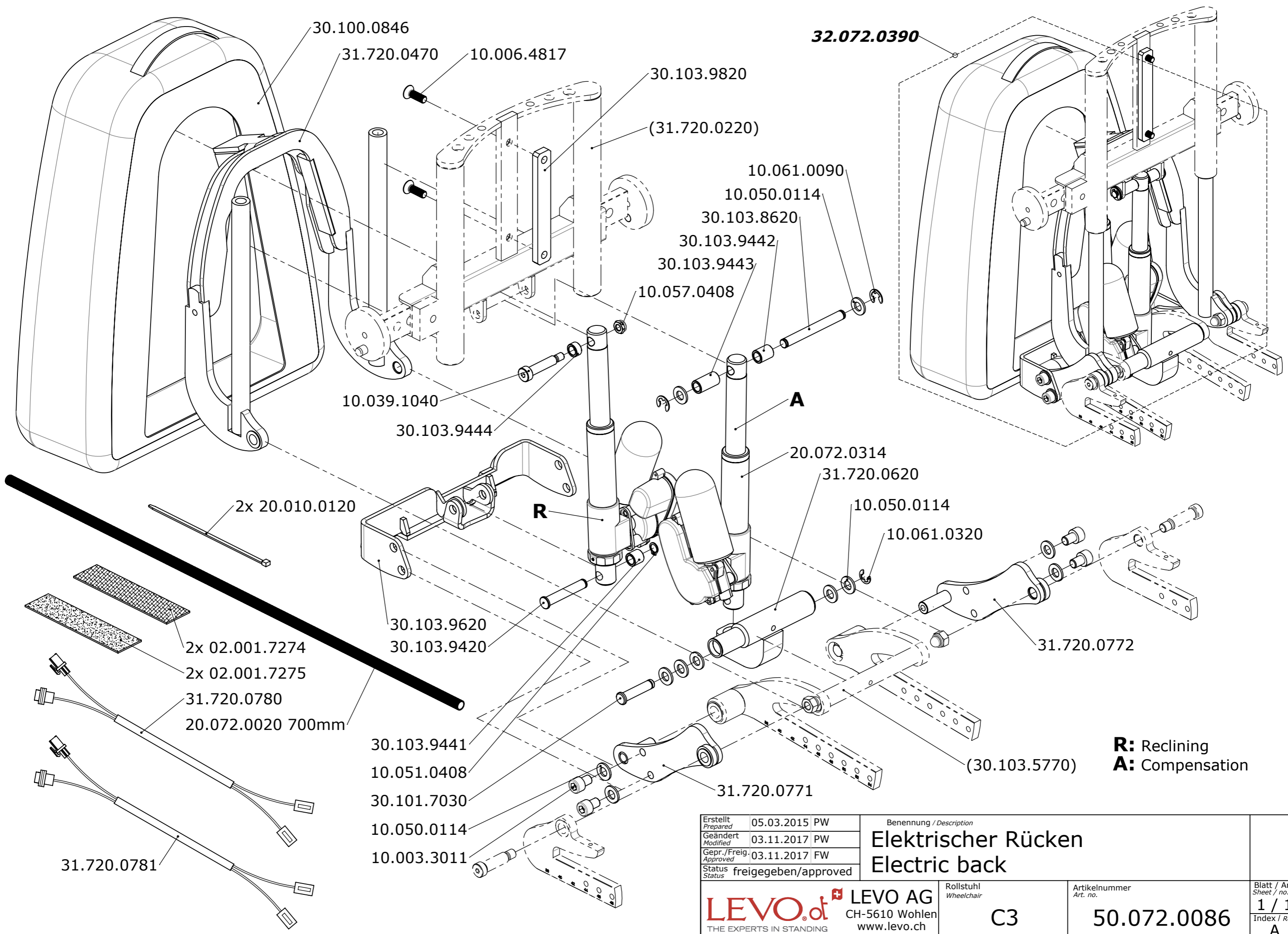
|                          |                      |    |
|--------------------------|----------------------|----|
| Erstellt<br>Prepared     | 28.10.2008           | PW |
| Geändert<br>Modified     | 05.09.2011           | PW |
| Gepr./Freig.<br>Approved | 05.09.2011           | FW |
| Status                   | freigegeben/approved |    |

|                           |  |
|---------------------------|--|
| Benennung / Description   | <b>Stehmechanik Rücken</b><br><b>Stand up mechanism back</b> |
| Artikelnummer<br>Art. no. |  |

**LEVO**.<sup>+</sup> LEVO AG  
 CH-5610 Wohlen  
 www.levo.ch  
 THE EXPERTS IN STANDING

Rollstuhl  
Wheelchair  
**C3**

Blatt / Anz.  
Sheet / no. of  
**1 / 1**  
Index / Rev.  
**C**



|                          |                      |
|--------------------------|----------------------|
| Erstellt<br>Prepared     | 05.03.2015 PW        |
| Geändert<br>Modified     | 03.11.2017 PW        |
| Gepr./Freig.<br>Approved | 03.11.2017 FW        |
| Status<br>Status         | freigegeben/approved |

|                         |                                      |
|-------------------------|--------------------------------------|
| Benennung / Description | Elektrischer Rücken<br>Electric back |
|-------------------------|--------------------------------------|

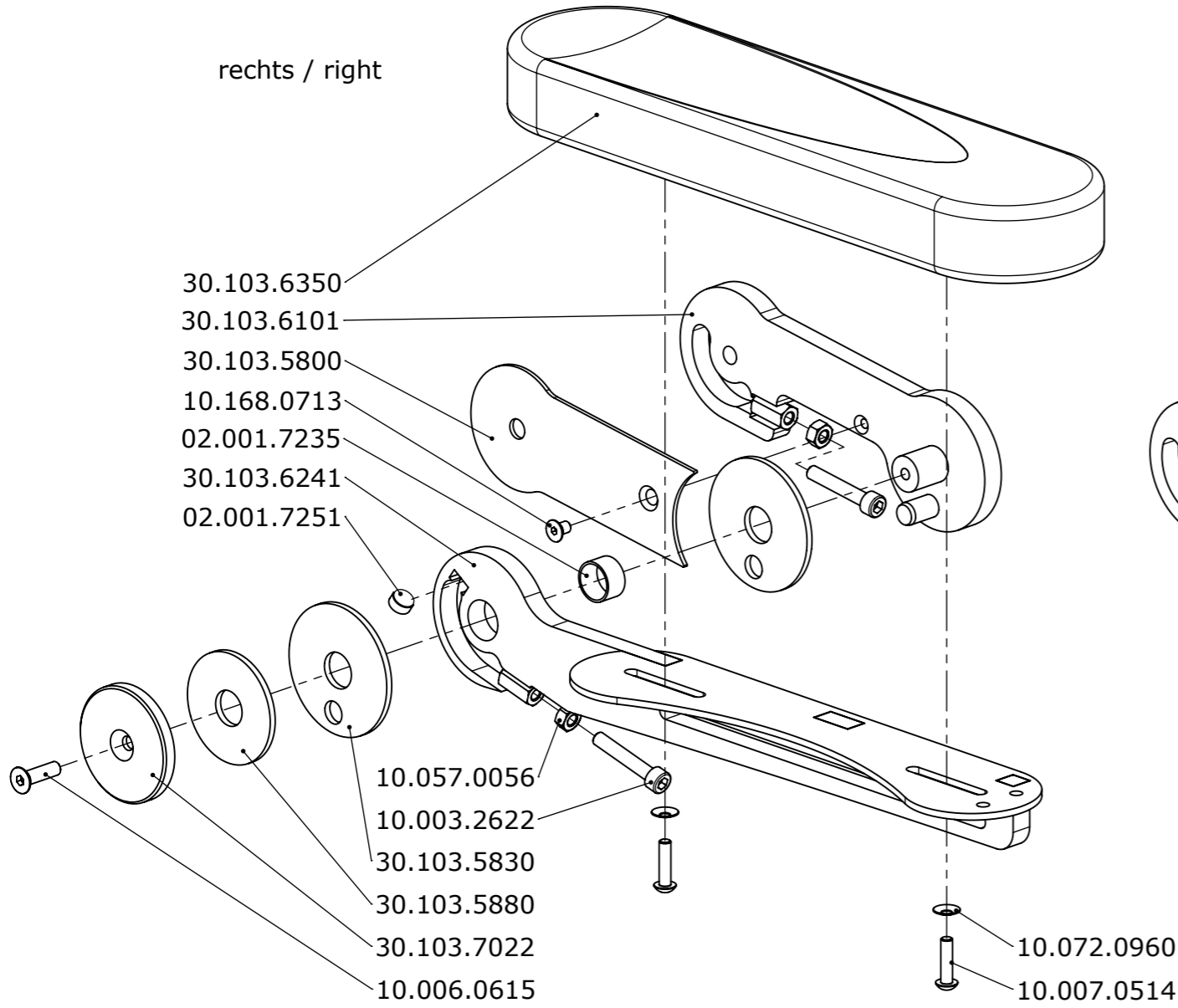
**LEVO**.<sup>+</sup> LEVO AG  
CH-5610 Wohlen  
www.levo.ch  
THE EXPERTS IN STANDING

Rollstuhl  
Wheelchair  
**C3**

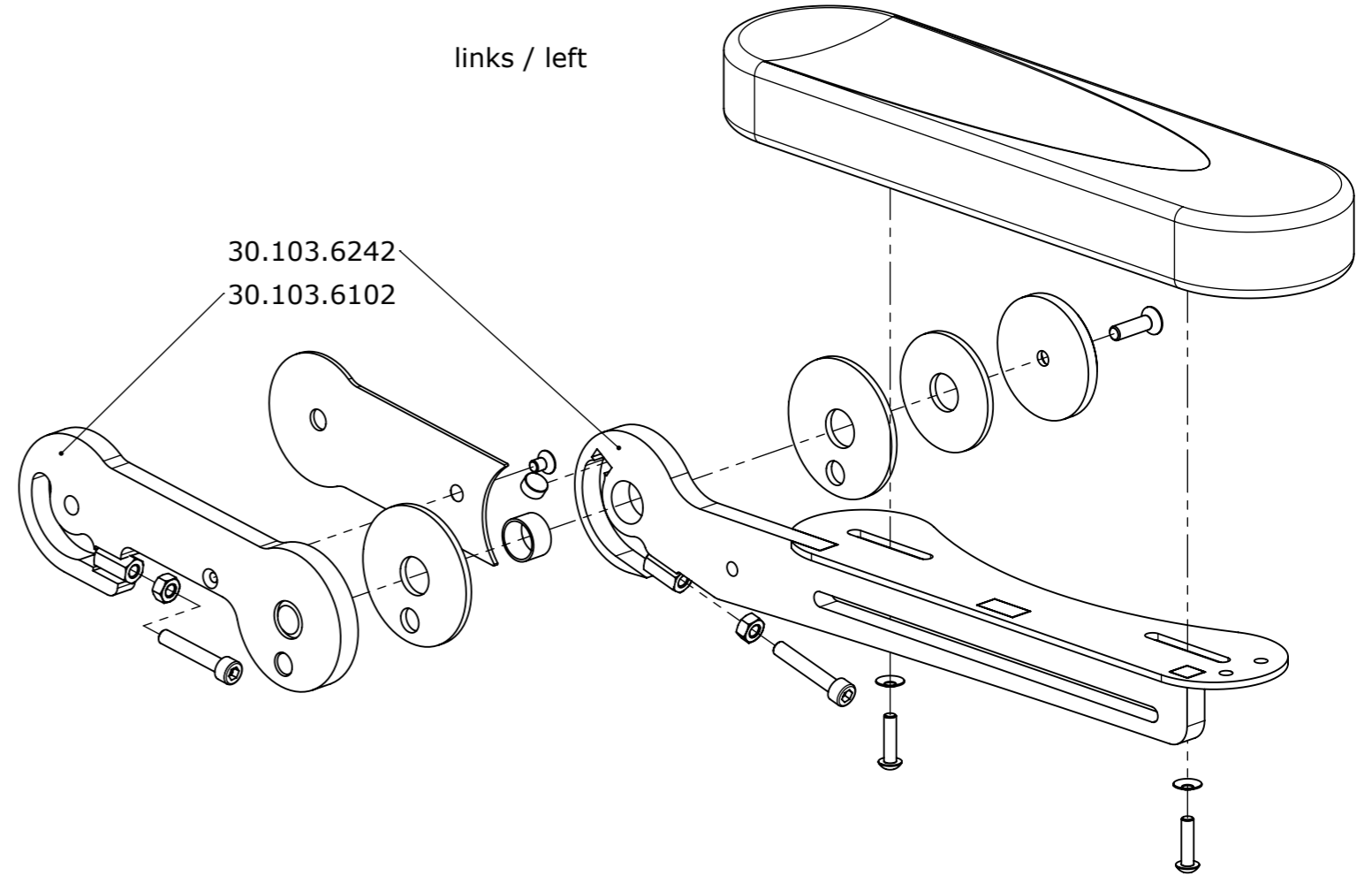
Artikelnummer  
Art. no.  
**50.072.0086**

Blatt / Anz.  
Sheet / no. of  
**1 / 1**  
Index / Rev.  
**A**

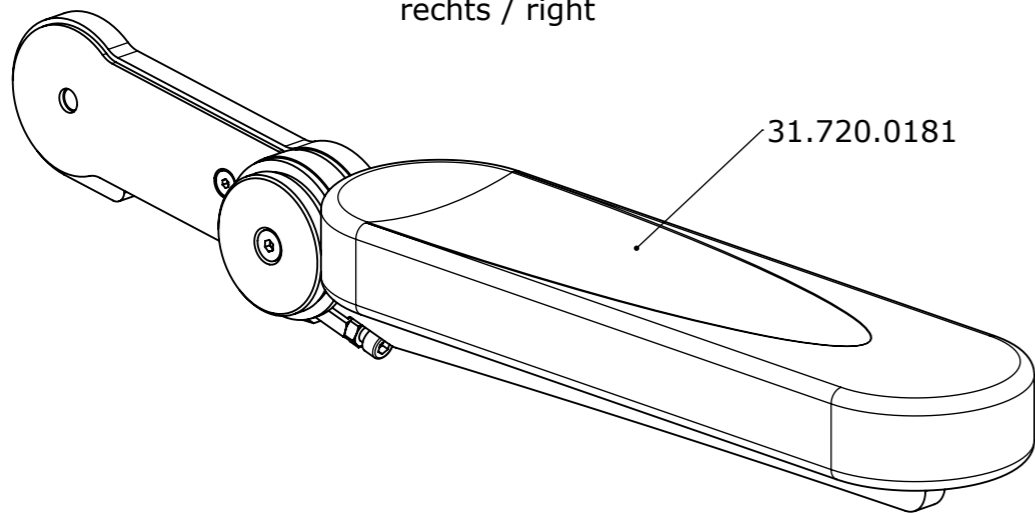
rechts / right



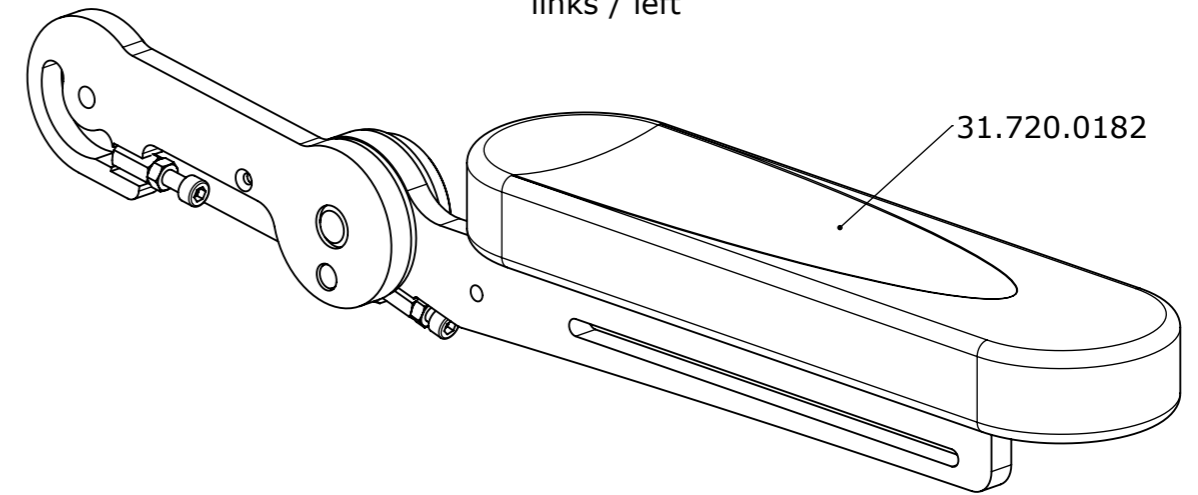
links / left




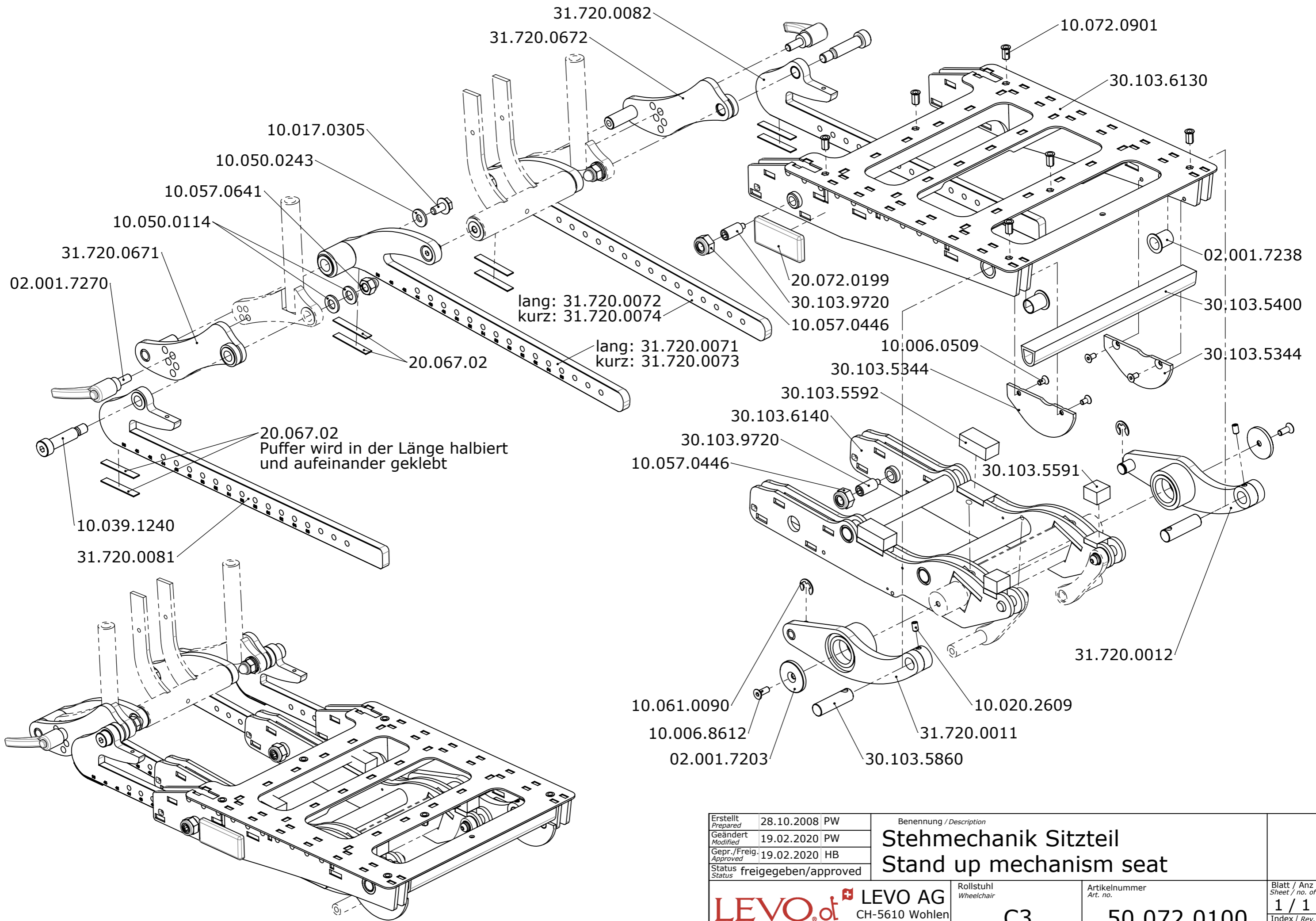
rechts / right



links / left



|   |            |    |                                      |                                  |                                       |
|---|------------|----|--------------------------------------|----------------------------------|---------------------------------------|
| Erstellt<br><i>Prepared</i>   | 30.01.2009 | PW | Benennung / Description              |                                  |                                       |
| Geändert<br><i>Modified</i>   | 27.04.2009 | PW | <b>Armlehnen</b><br><b>Arm rests</b> |                                  |                                       |
| Gepr./Freig.<br><i>Approved</i>   | 27.04.2009 | TN |                                      |                                  |                                       |
| Status<br><i>Status</i>   |            |    |                                      |                                  |                                       |
|  <b>LEVO AG</b><br>CH-5610 Wohlen<br>www.levo.ch |            |    | Rollstuhl<br><i>Wheelchair</i>       | Artikelnummer<br><i>Art. no.</i> | Blatt / Anz.<br><i>Sheet / no. of</i> |
|   |            |    | <b>C3</b>                            | <b>50.072.0090</b>               | <b>1 / 1</b>                          |
|   |            |    |                                      |                                  | Index / Rev.<br><b>A</b>              |

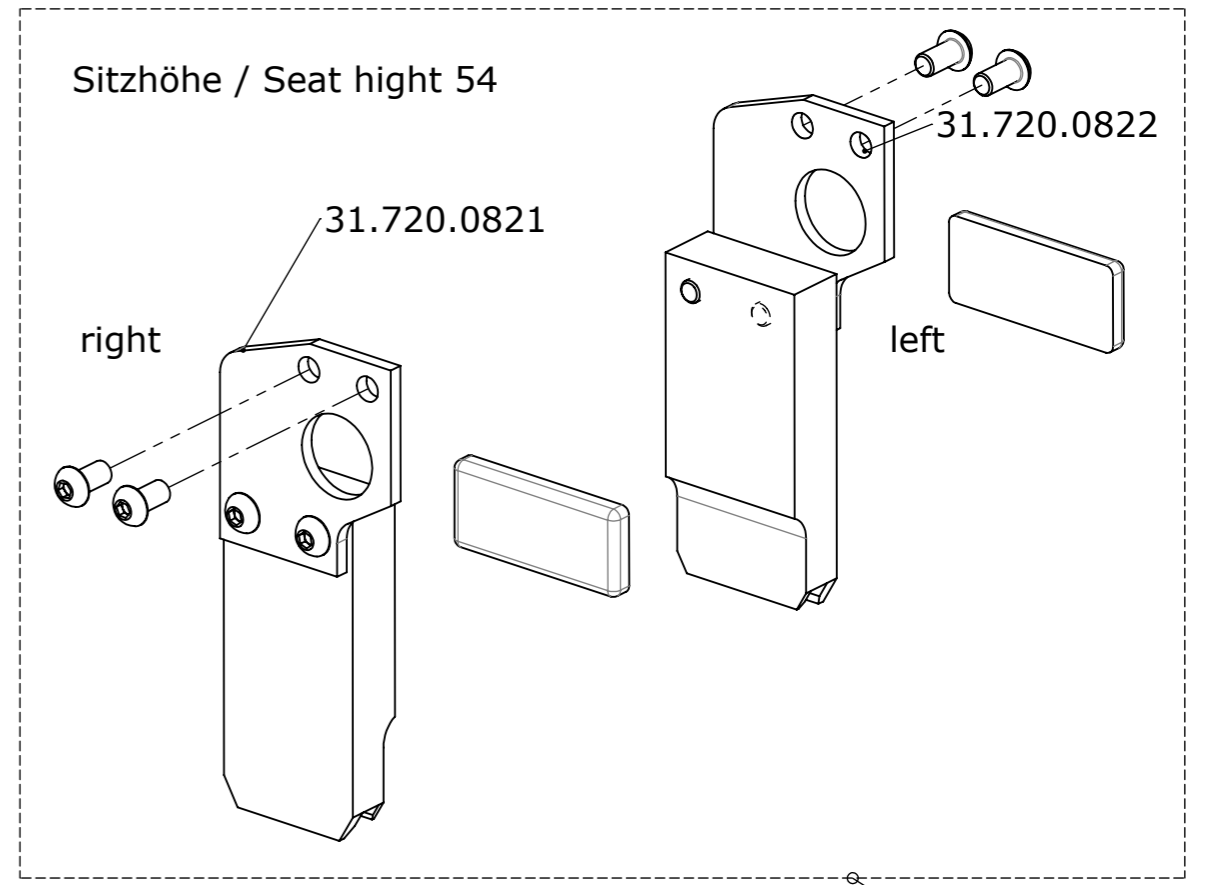
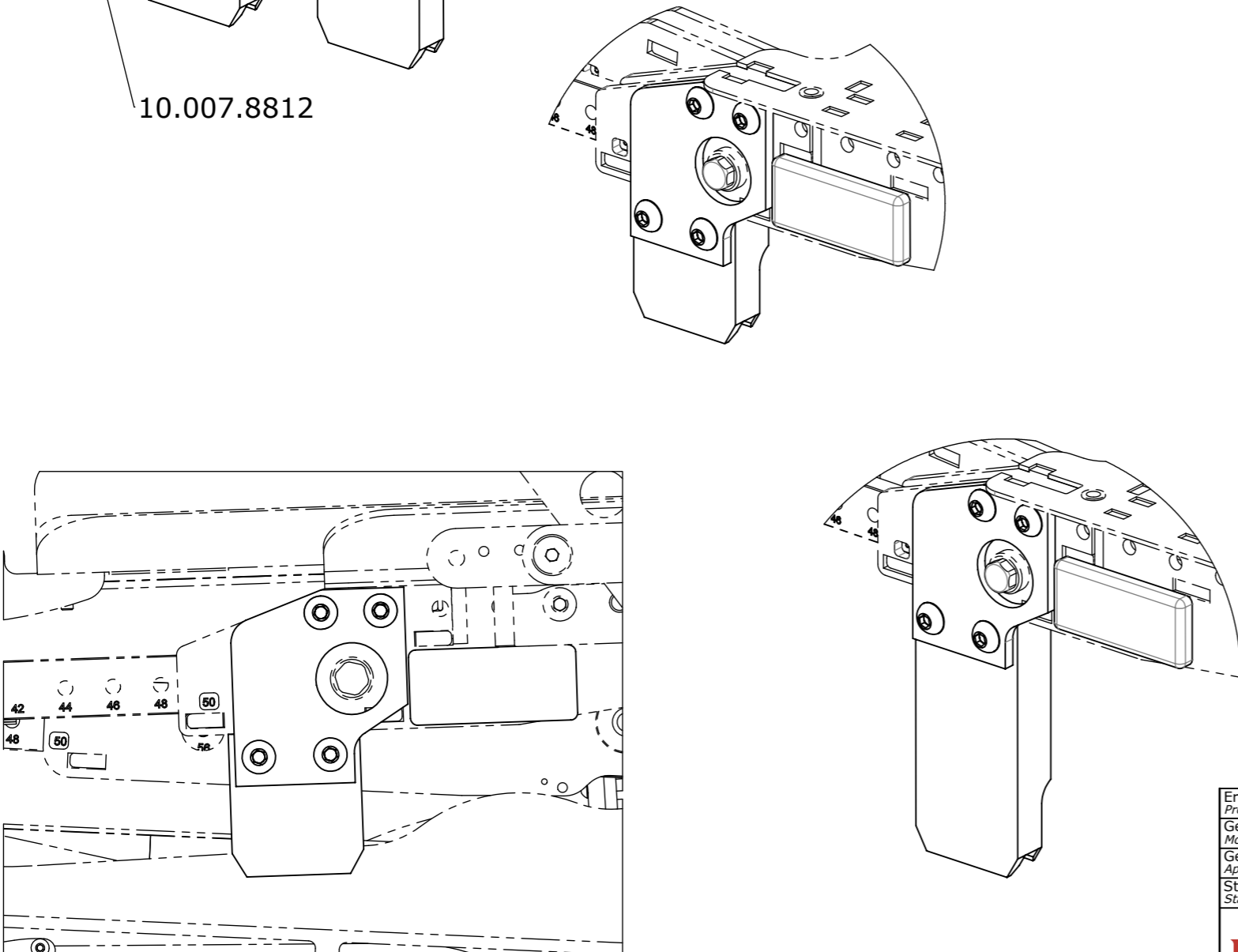
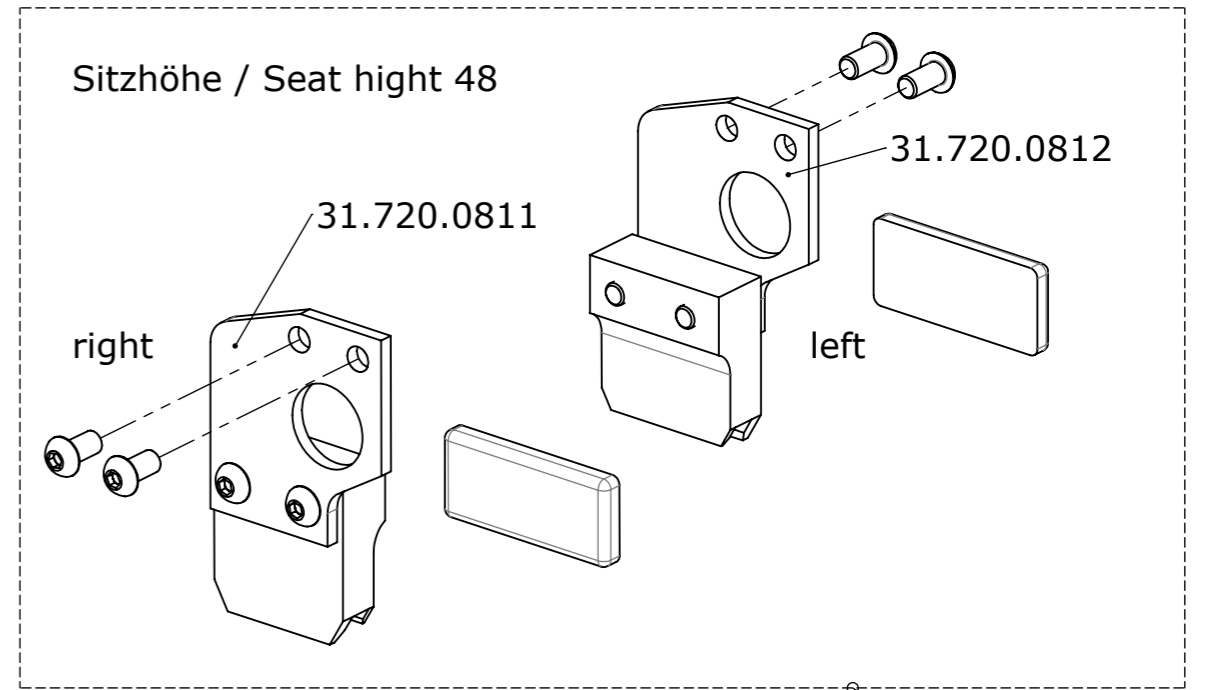
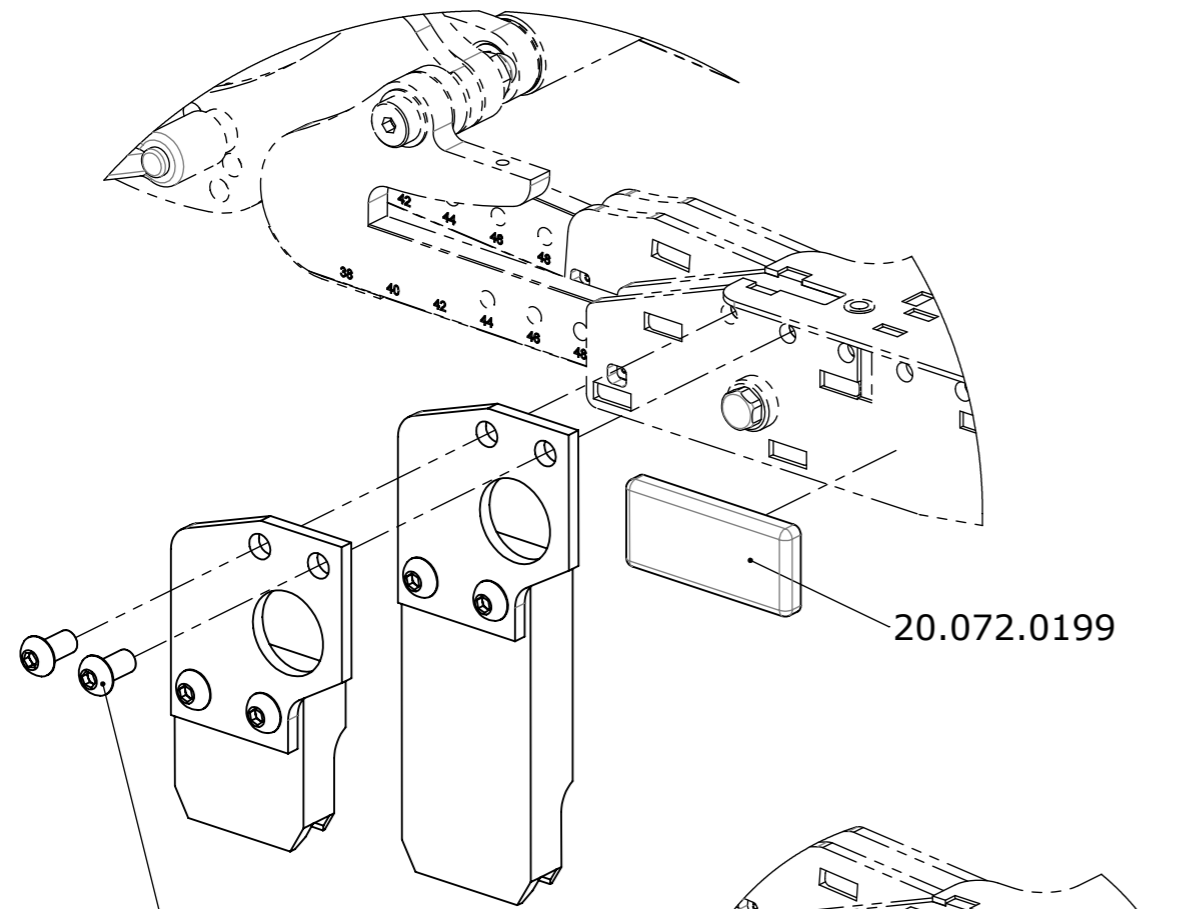


|                          |                      |    |
|--------------------------|----------------------|----|
| Erstellt<br>Prepared     | 28.10.2008           | PW |
| Geändert<br>Modified     | 19.02.2020           | PW |
| Gepr./Freig.<br>Approved | 19.02.2020           | HB |
| Status<br>Status         | freigegeben/approved |    |

|                                |  |
|--------------------------------|--|
| Benennung / Description        |  |
| <b>Stehmechanik Sitzteil</b>   |  |
| <b>Stand up mechanism seat</b> |  |

|   |                         |                           |                                |
|---|-------------------------|---------------------------|--------------------------------|
| <b>LEVO AG</b><br>CH-5610 Wohlen<br>www.levo.ch | Rollstuhl<br>Wheelchair | Artikelnummer<br>Art. no. | Blatt / Anz.<br>Sheet / no. of |
|   | <b>C3</b>               | <b>50.072.0100</b>        | <b>1 / 1</b>                   |

|              |
|--------------|
| Index / Rev. |
| <b>L</b>     |



|                          |                      |    |
|--------------------------|----------------------|----|
| Erstellt<br>Prepared     | 05.01.2017           | PW |
| Geändert<br>Modified     |                      | -  |
| Gepr./Freig.<br>Approved | 05.01.2017           | FW |
| Status                   | freigegeben/approved |    |

Benennung / Description  
**Sitzdämpfung**  
**Seat suspension**

**LEVO**.<sup>+</sup>  
 THE EXPERTS IN STANDING

**LEVO AG**  
 CH-5610 Wohlen  
 www.levo.ch

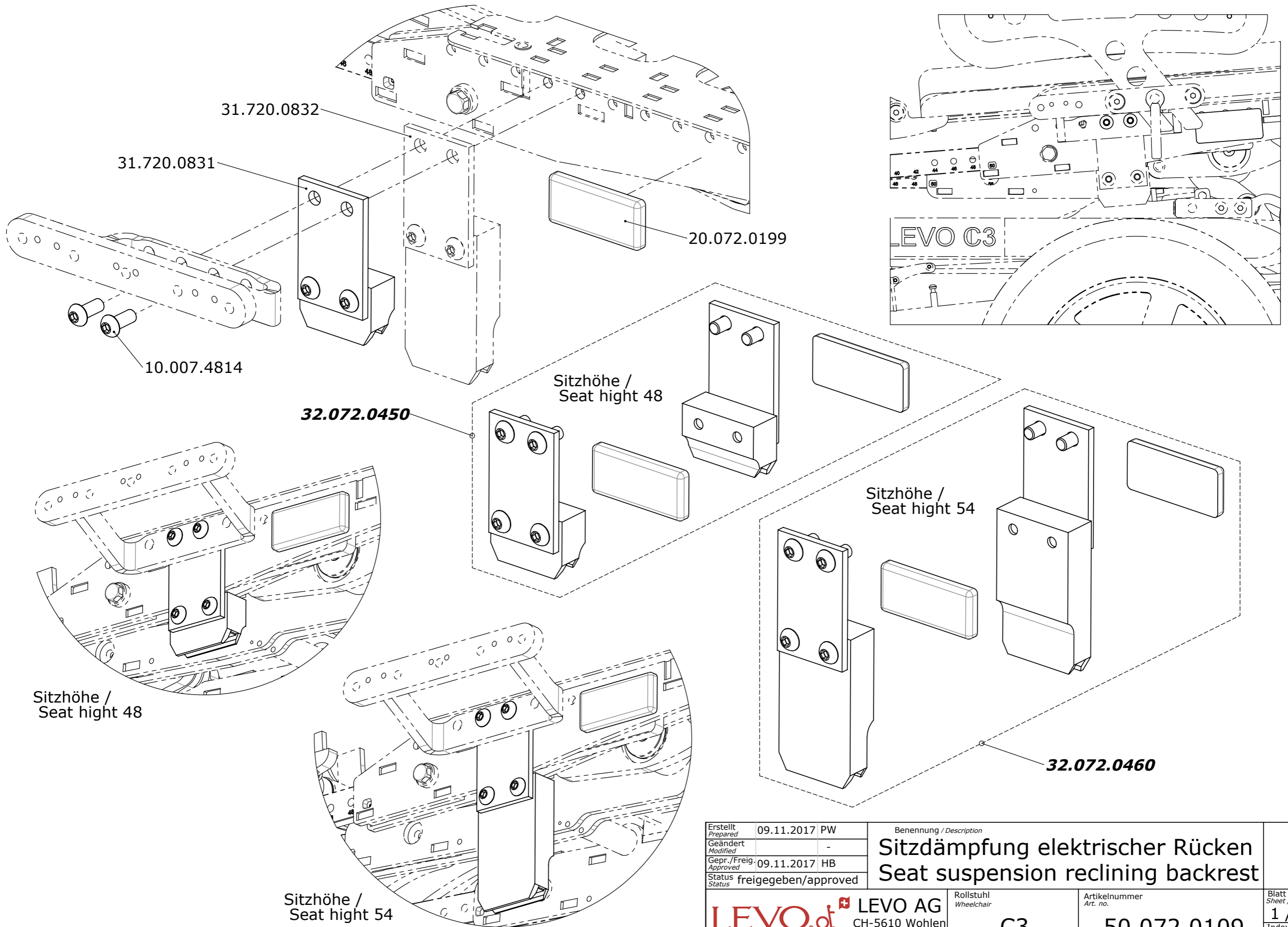
Rollstuhl  
 Wheelchair

**C3**

Artikelnummer  
 Art. no.

**50.072.0108**

Blatt / Anz.  
 Sheet / no. of  
**1 / 1**  
 Index / Rev.  
 -



|                           |                      |    |
|---------------------------|----------------------|----|
| Erstellt / Prepared       | 09.11.2017           | PW |
| Geändert / Modified       |                      | -  |
| Gepr. / Freig. / Approved | 09.11.2017           | HB |
| Status                    | freigegeben/approved |    |

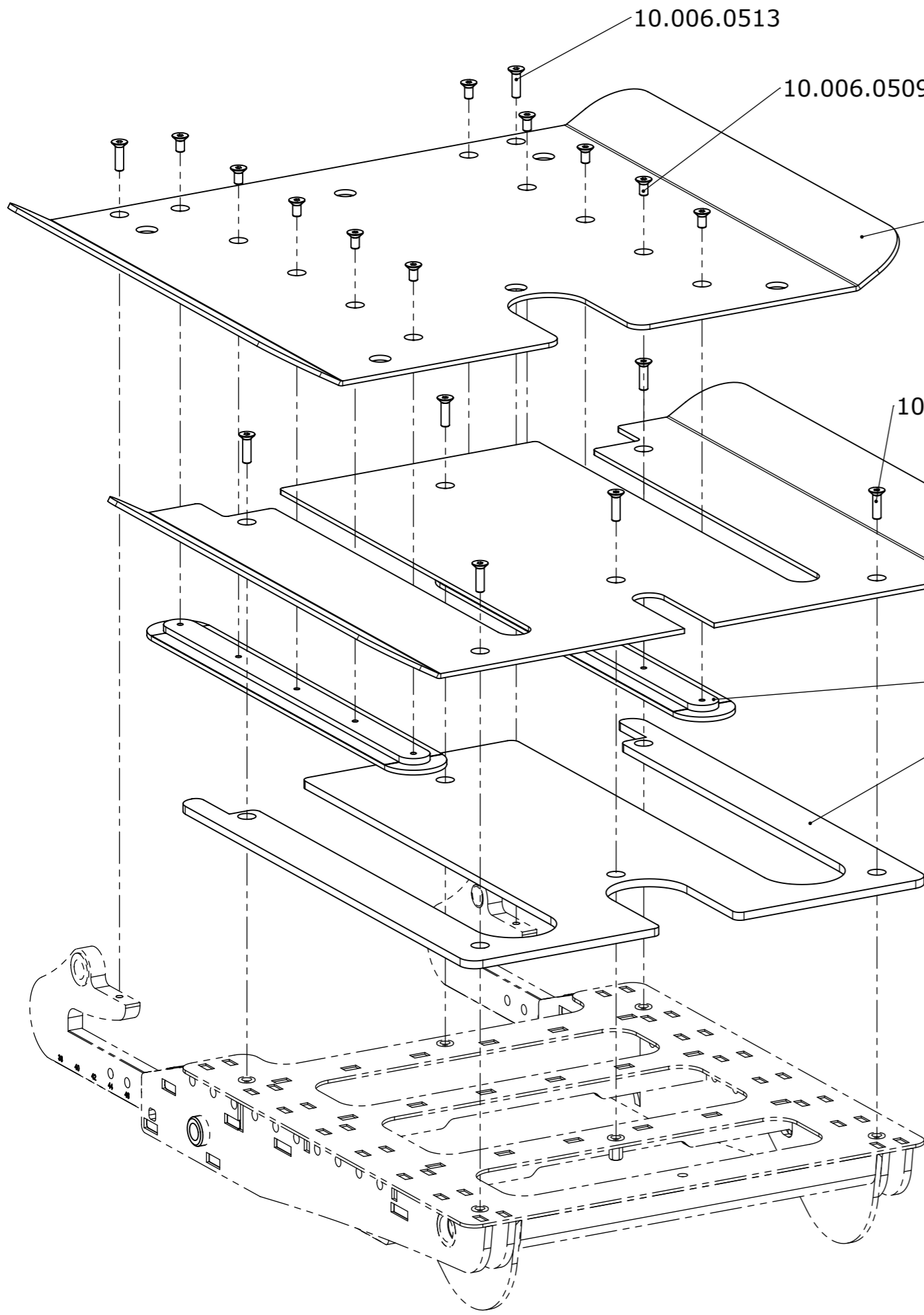
Benennung / Description  
**Sitzdämpfung elektrischer Rücken**  
**Seat suspension reclining backrest**

**LEVO**.<sup>dt</sup> LEVO AG  
 CH-5610 Wohlen  
 www.levo.ch  
 THE EXPERTS IN STANDING

Rollstuhl / Wheelchair  
**C3**

Artikelnummer / Art. no.  
**50.072.0109**

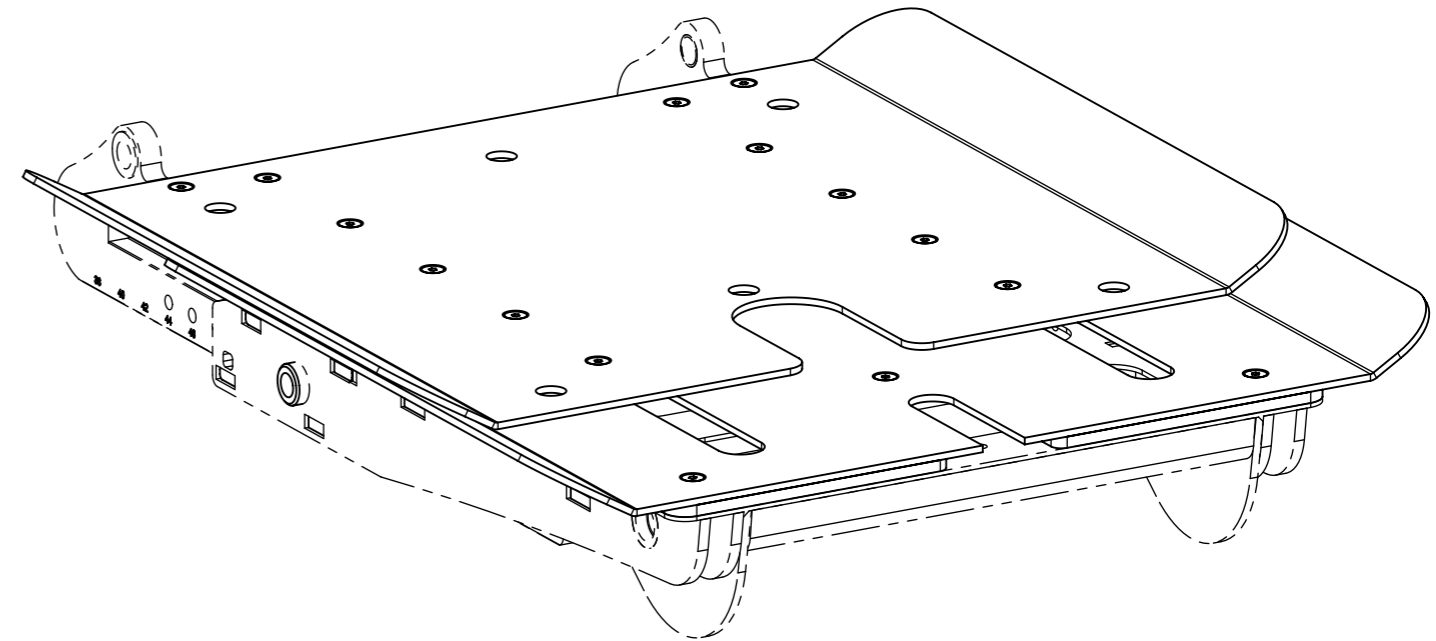
Blatt / Anz. / Sheet / no. of  
**1 / 1**  
 Index / Rev.  
 -



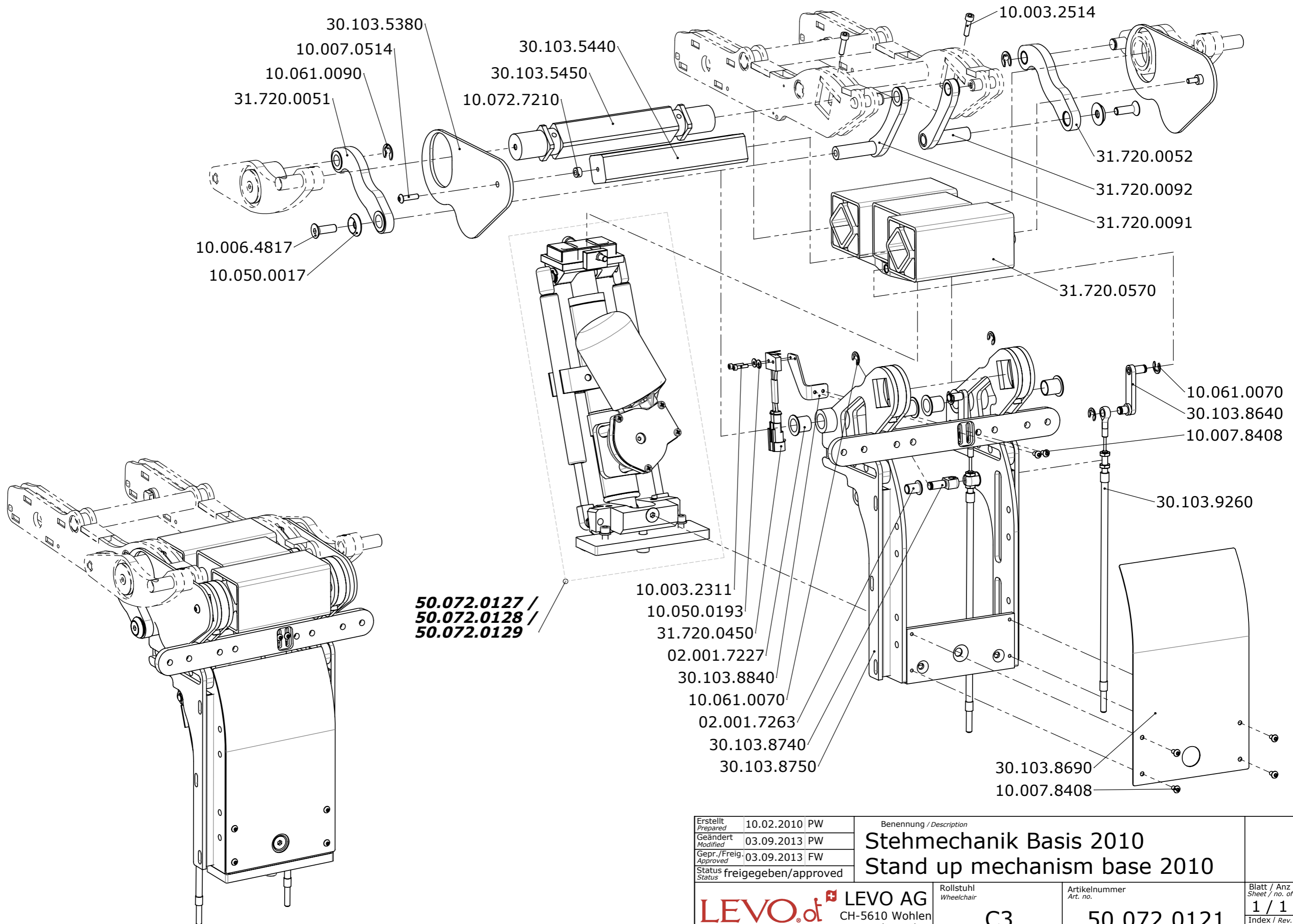
| Sitzblech hinten / Seat plate back |                             |
|------------------------------------|-----------------------------|
| Sitzbreite / Seat width            | Artikelnummer / Article no. |
| 32                                 | 30.103.5511                 |
| 36                                 | 30.103.5512                 |
| 40                                 | 30.103.5513                 |
| 44                                 | 30.103.5514                 |
| 48                                 | 30.103.5515                 |
| 52                                 | 30.103.5516                 |

| Sitzblech vorne / Seat plate front |                             |
|------------------------------------|-----------------------------|
| Sitzbreite / Seat width            | Artikelnummer / Article no. |
| 32                                 | 30.103.5521                 |
| 36                                 | 30.103.5522                 |
| 40                                 | 30.103.5523                 |
| 44                                 | 30.103.5524                 |
| 48                                 | 30.103.5525                 |
| 52                                 | 30.103.5526                 |

| Sitzblech-Set / Seat plate set |                             |
|--------------------------------|-----------------------------|
| Sitzbreite / Seat width        | Artikelnummer / Article no. |
| 32                             | 32.072.0171                 |
| 36                             | 32.072.0172                 |
| 40                             | 32.072.0173                 |
| 44                             | 32.072.0174                 |
| 48                             | 32.072.0175                 |
| 52                             | 32.072.0176                 |



|   |            |    |                                       |                          |                               |
|---|------------|----|---------------------------------------|--------------------------|-------------------------------|
| Erstellt / Prepared   | 29.10.2008 | PW | Benennung / Description               |                          |                               |
| Geändert / Modified   |            | -  | <b>Sitzblech</b><br><b>Seat plate</b> |                          |                               |
| Gepr. / Freig. / Approved   | 01.04.2009 | TN |                                       |                          |                               |
| Status  |            |    |                                       |                          |                               |
| LEVO AG<br>THE EXPERTS IN STANDING<br>CH-5610 Wohlen<br>www.levo.ch |            |    | Rollstuhl / Wheelchair                | Artikelnummer / Art. no. | Blatt / Anz. / Sheet / no. of |
|   |            |    | C3                                    | 50.072.0110              | 1 / 1                         |
|   |            |    |                                       |                          | Index / Rev.                  |



|                          |                      |    |
|--------------------------|----------------------|----|
| Erstellt<br>Prepared     | 10.02.2010           | PW |
| Geändert<br>Modified     | 03.09.2013           | PW |
| Gepr./Freig.<br>Approved | 03.09.2013           | FW |
| Status                   | freigegeben/approved |    |

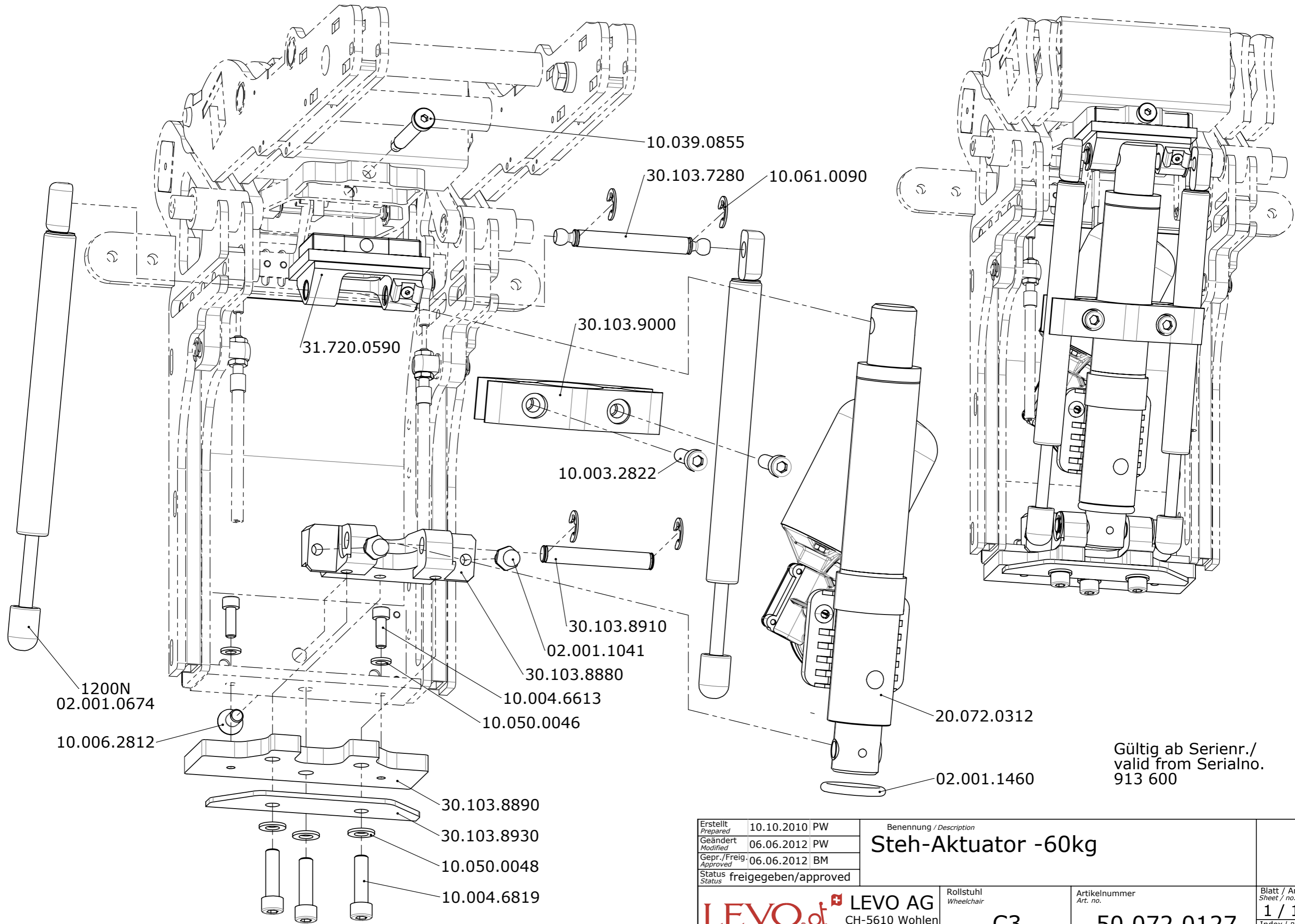
Benennung / Description  
**Stehmechanik Basis 2010**  
**Stand up mechanism base 2010**

**LEVO**.<sup>+</sup> LEVO AG  
 CH-5610 Wohlen  
 www.levo.ch  
 THE EXPERTS IN STANDING

Rollstuhl  
 Wheelchair  
**C3**

Artikelnummer  
 Art. no.  
**50.072.0121**

Blatt / Anz.  
 Sheet / no. of  
**1 / 1**  
 Index / Rev.  
**G**



Gültig ab Serienr./  
valid from Serialno.  
913 600

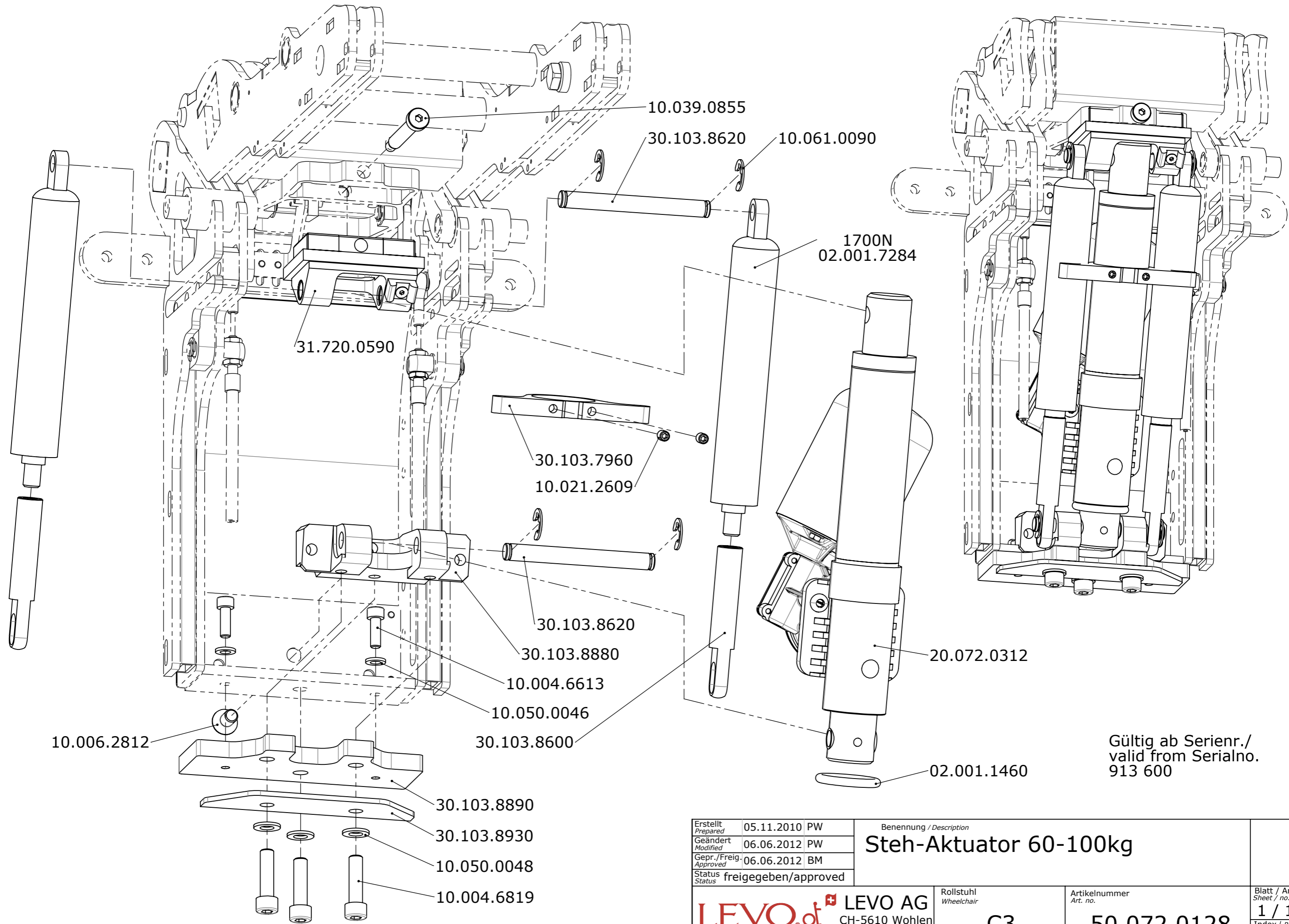
|                          |                      |    |
|--------------------------|----------------------|----|
| Erstellt<br>Prepared     | 10.10.2010           | PW |
| Geändert<br>Modified     | 06.06.2012           | PW |
| Gepr./Freig.<br>Approved | 06.06.2012           | BM |
| Status                   | freigegeben/approved |    |

|                           |                            |
|---------------------------|----------------------------|
| Benennung / Description   | <b>Steh-Aktuator -60kg</b> |
| Artikelnummer<br>Art. no. |                            |


**LEVO**.<sup>dt</sup> LEVO AG  
CH-5610 Wohlen  
www.levo.ch  
THE EXPERTS IN STANDING

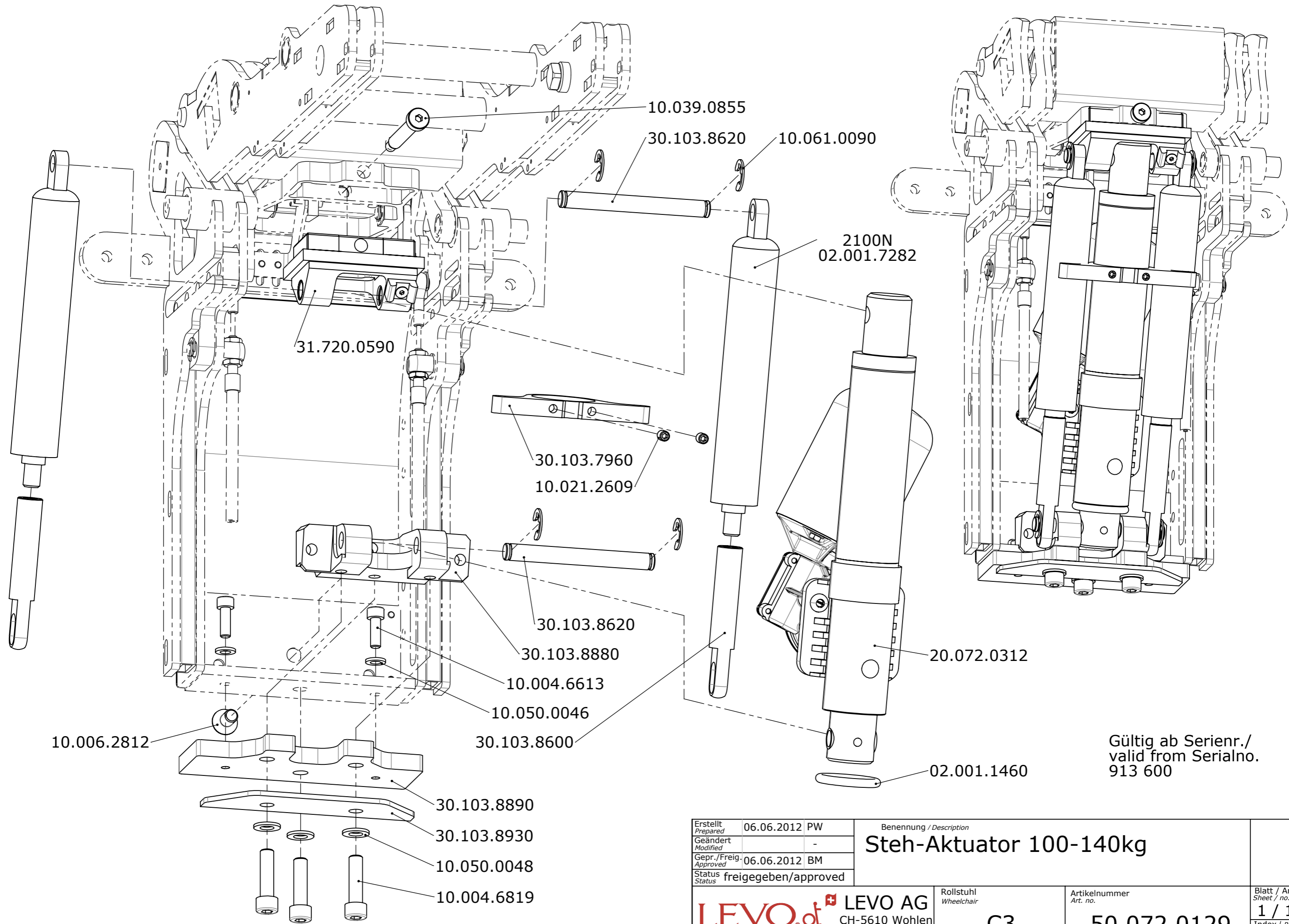
Rollstuhl  
Wheelchair  
**C3**

Blatt / Anz.  
Sheet / no. of  
**1 / 1**  
Index / Rev.  
**F**



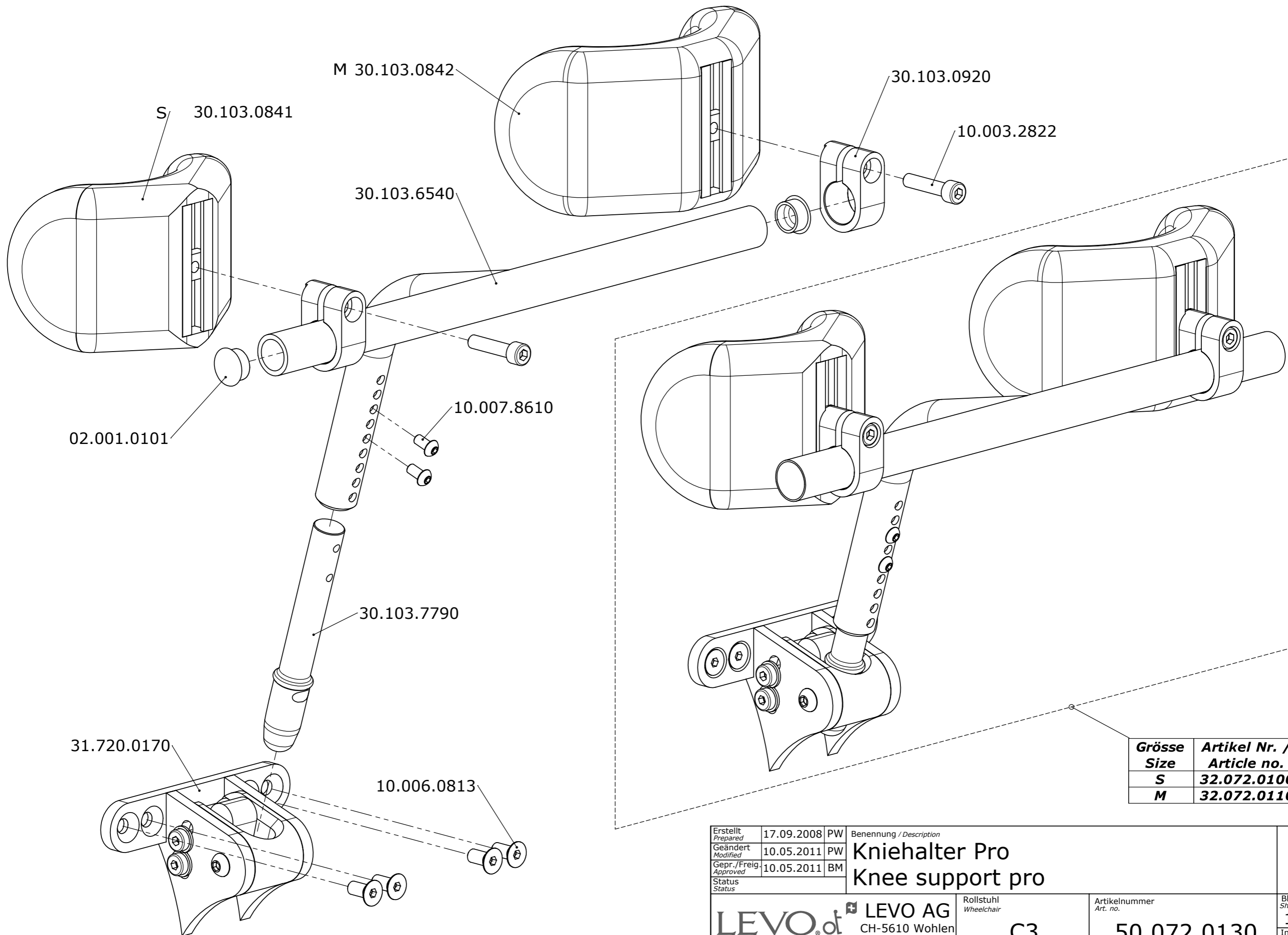
Gültig ab Serienr./  
valid from Serialno.  
913 600

|   |                      |  |  |
|---|----------------------|--|--|
| Erstellt<br><i>Prepared</i>   | 05.11.2010 PW        | Benennung / Description<br><b>Steh-Aktuator 60-100kg</b> | Blatt / Anz.<br>Sheet / no. of<br><b>1 / 1</b> |
| Geändert<br><i>Modified</i>   | 06.06.2012 PW        |  |  |
| Gepr./Freig.<br><i>Approved</i>   | 06.06.2012 BM        |  |  |
| Status<br><i>Status</i>   | freigegeben/approved |  |  |
|  <b>LEVO AG</b><br>CH-5610 Wohlen<br>www.levo.ch |                      | Rollstuhl<br><i>Wheelchair</i>                           | Artikelnummer<br><i>Art. no.</i>               |
|   |                      | <b>C3</b>  | <b>50.072.0128</b>                             |
| THE EXPERTS IN STANDING   |                      |  | Index / Rev.<br><b>B</b>                       |




Gültig ab Serienr./  
valid from Serialno.  
913 600

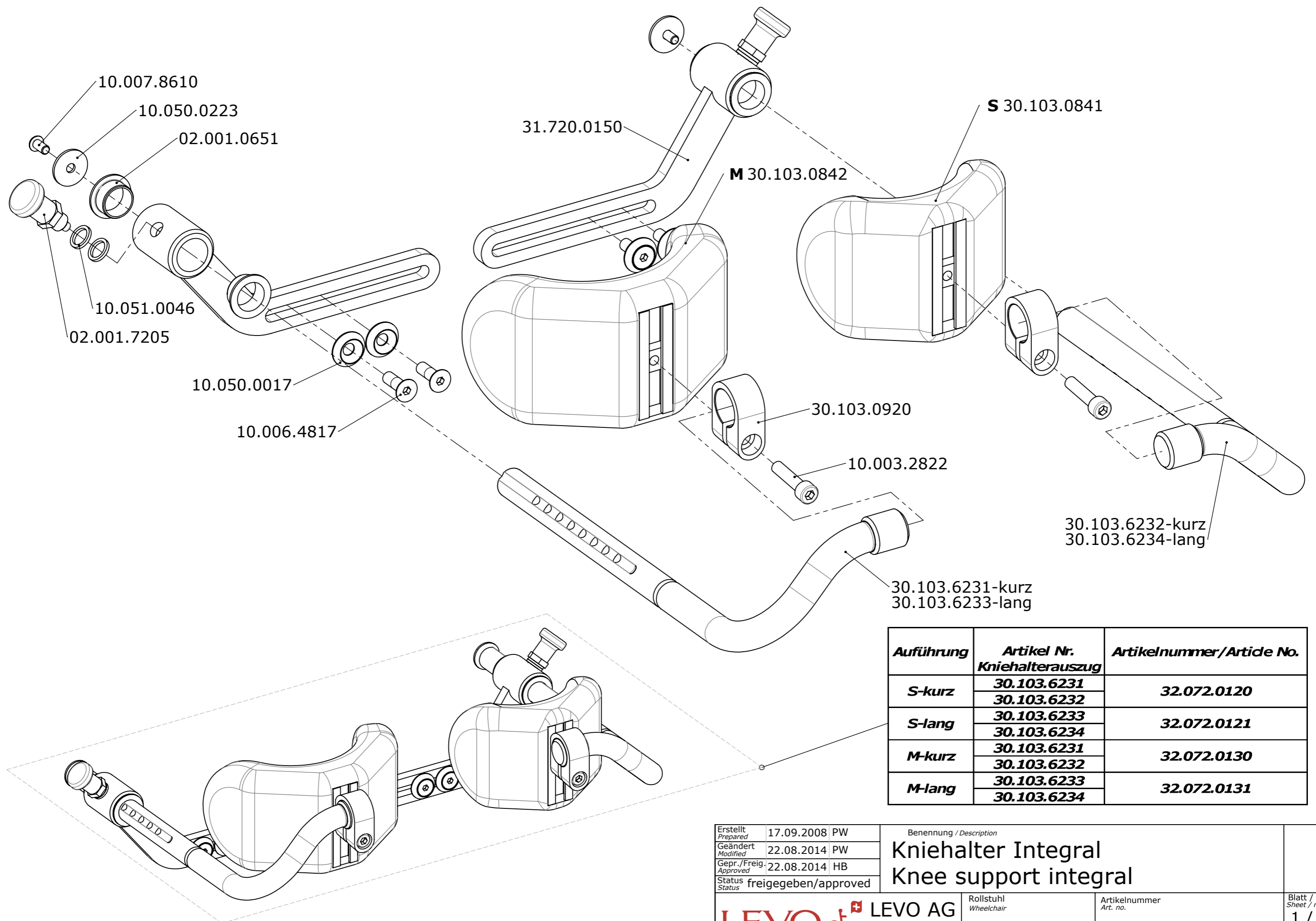
|  |                      |    |                                |                           |                                |
|--|----------------------|----|--------------------------------|---------------------------|--------------------------------|
| Erstellt<br>Prepared                     | 06.06.2012           | PW | Benennung / Description        |                           |                                |
| Geändert<br>Modified                     |                      | -  | <b>Steh-Aktuator 100-140kg</b> |                           |                                |
| Gepr./Freig.<br>Approved                 | 06.06.2012           | BM |                                |                           |                                |
| Status                                   | freigegeben/approved |    |                                |                           |                                |
| LEVO AG<br>CH-5610 Wohlen<br>www.levo.ch |                      |    | Rollstuhl<br>Wheelchair        | Artikelnummer<br>Art. no. | Blatt / Anz.<br>Sheet / no. of |
|  |                      |    | C3                             | 50.072.0129               | 1 / 1                          |
|  |                      |    |                                |                           | Index / Rev.                   |
|  |                      |    |                                |                           | -                              |



| Grösse / Size | Artikel Nr. / Article no. |
|---------------|---------------------------|
| S             | 32.072.0100               |
| M             | 32.072.0110               |

|   |            |    |  |                          |                               |
|---|------------|----|--|--------------------------|-------------------------------|
| Erstellt / Prepared   | 17.09.2008 | PW | Benennung / Description                          |                          |                               |
| Geändert / Modified   | 10.05.2011 | PW | <b>Kniehalter Pro</b><br><b>Knee support pro</b> |                          |                               |
| Gepr. / Freig. / Approved   | 10.05.2011 | BM |  |                          |                               |
| Status  |            |    |  |                          |                               |
|  <b>LEVO AG</b><br>CH-5610 Wohlen<br>www.levo.ch |            |    | Rollstuhl / Wheelchair                           | Artikelnummer / Art. no. | Blatt / Anz. / Sheet / no. of |
|   |            |    | <b>C3</b>  | <b>50.072.0130</b>       | <b>1 / 1</b>                  |
|   |            |    |  |                          | Index / Rev.<br><b>B</b>      |

CONFIDENTIAL! All rights reserved. Reproduction and processing in any form whatever is not permitted without written authority of LEVO AG.



| Auführung | Artikel Nr.<br>Kniehalterauszug | Artikelnummer/Artide No. |
|-----------|---------------------------------|--------------------------|
| S-kurz    | 30.103.6231                     | 32.072.0120              |
|           | 30.103.6232                     |                          |
| S-lang    | 30.103.6233                     | 32.072.0121              |
|           | 30.103.6234                     |                          |
| M-kurz    | 30.103.6231                     | 32.072.0130              |
|           | 30.103.6232                     |                          |
| M-lang    | 30.103.6233                     | 32.072.0131              |
|           | 30.103.6234                     |                          |

|                          |                      |    |
|--------------------------|----------------------|----|
| Erstellt<br>Prepared     | 17.09.2008           | PW |
| Geändert<br>Modified     | 22.08.2014           | PW |
| Gepr./Freig.<br>Approved | 22.08.2014           | HB |
| Status<br>Status         | freigegeben/approved |    |

Benennung / Description  
**Kniehalter Integral**  
**Knee support integral**

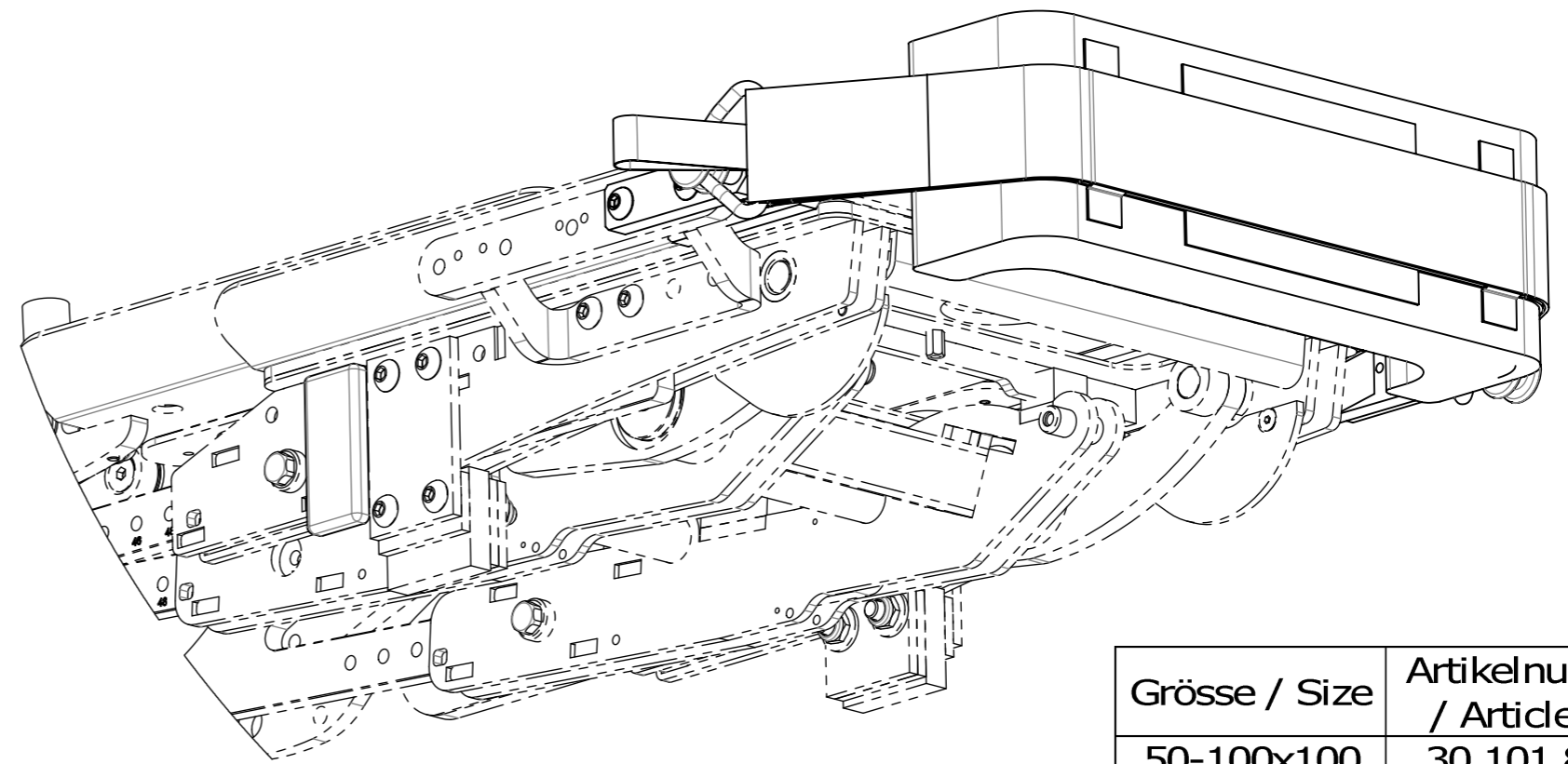
**LEVO**.<sup>dt</sup> LEVO AG  
CH-5610 Wohlen  
www.levo.ch  
THE EXPERTS IN STANDING

Rollstuhl  
Wheelchair  
**C3**

Artikelnummer  
Art. no.  
**50.072.0140**

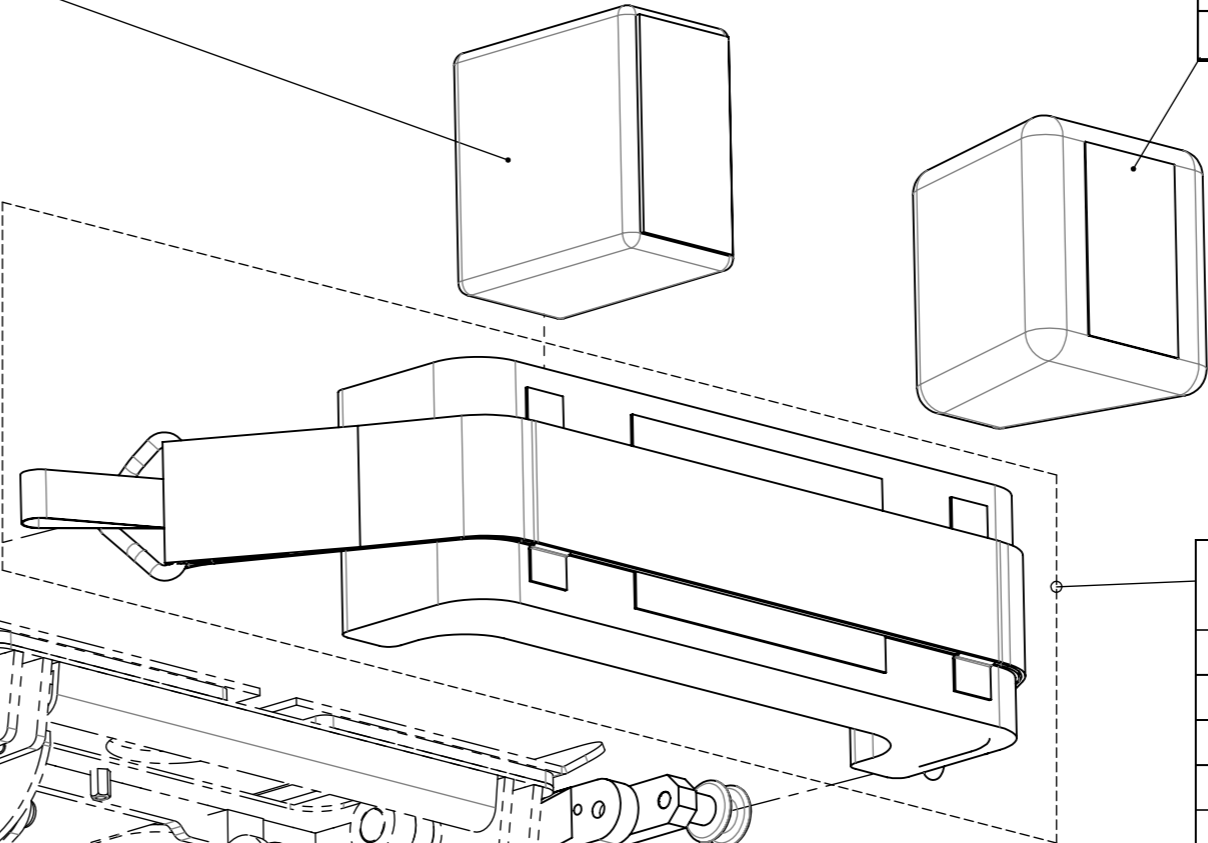
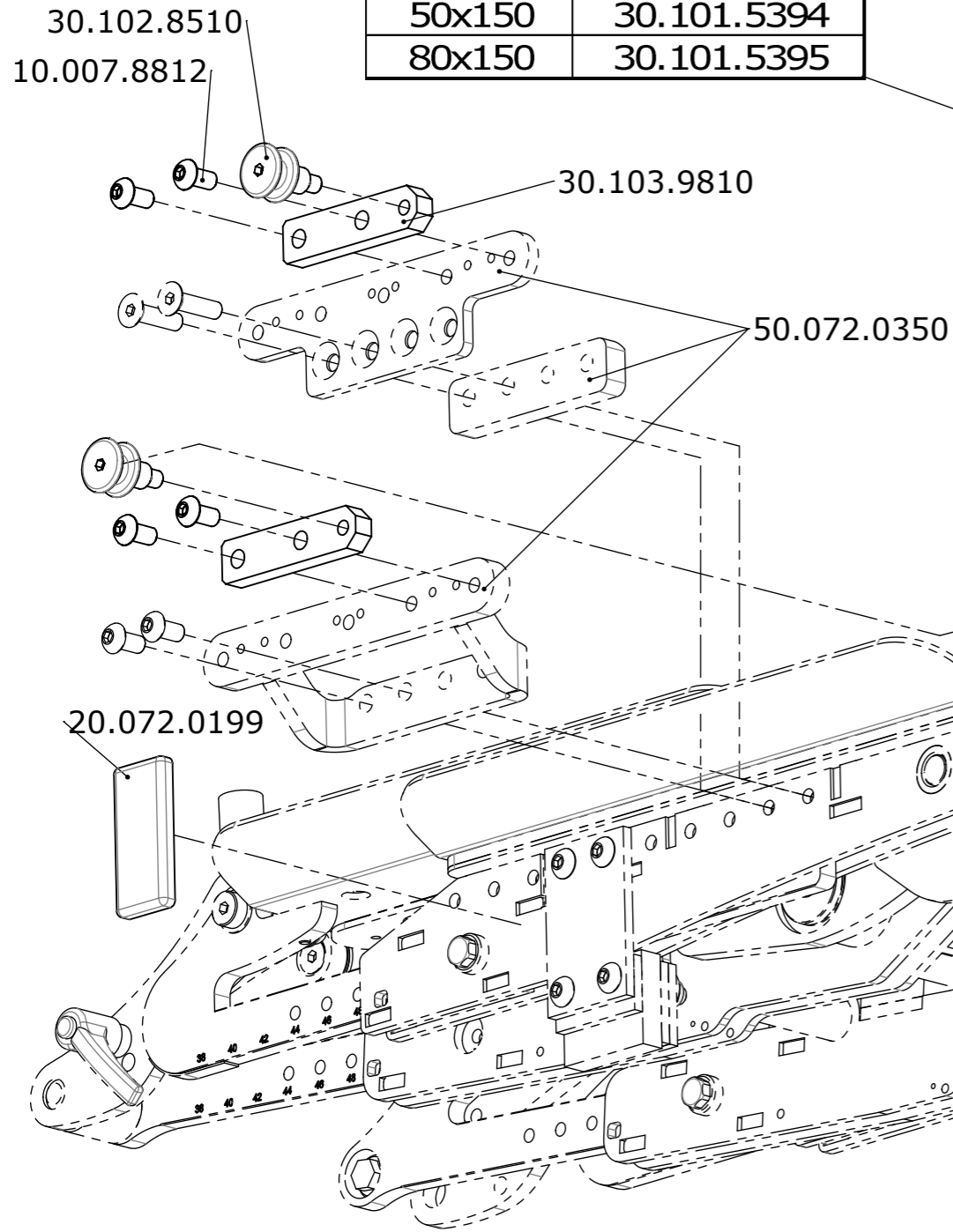
Blatt / Anz.  
Sheet / no. of  
**1 / 1**  
Index / Rev.  
**F**

VERTRAULICH! Dieses Dokument ist unser geistiges Eigentum. Es darf ohne unsere ausdrückliche Genehmigung weder kopiert, vervielfältigt oder weiterverarbeitet, noch an Dritte weitergegeben werden. © LEVO AG



| Grösse / Size | Artikelnummer / Article no. |
|---------------|-----------------------------|
| 50x100        | 30.101.5391                 |
| 60x100        | 30.101.5392                 |
| 80x100        | 30.101.5393                 |
| 50x150        | 30.101.5394                 |
| 80x150        | 30.101.5395                 |

| Grösse / Size | Artikelnummer / Article no. |
|---------------|-----------------------------|
| 50-100x100    | 30.101.8221                 |
| 90-140x100    | 30.101.8222                 |
| 130-180x100   | 30.101.8223                 |



| Sitzbreite / Seat width | Typ / Type | Art.-Nr. / Article no. |
|-------------------------|------------|------------------------|
| 32                      | 1          | 30.101.5402            |
| 36                      | 1          | 30.101.5402            |
| 40                      | 2          | 30.101.5403            |
| 44                      | 3          | 30.101.5405            |
| 48                      | 4          | 30.101.5407            |
| 52                      | 5          | 30.101.5408            |

Erstellt / Prepared: 30.10.2017 PW  
 Geändert / Modified: -  
 Gepr./Freig. / Approved: 30.10.2017 HB  
 Status: freigegeben/approved

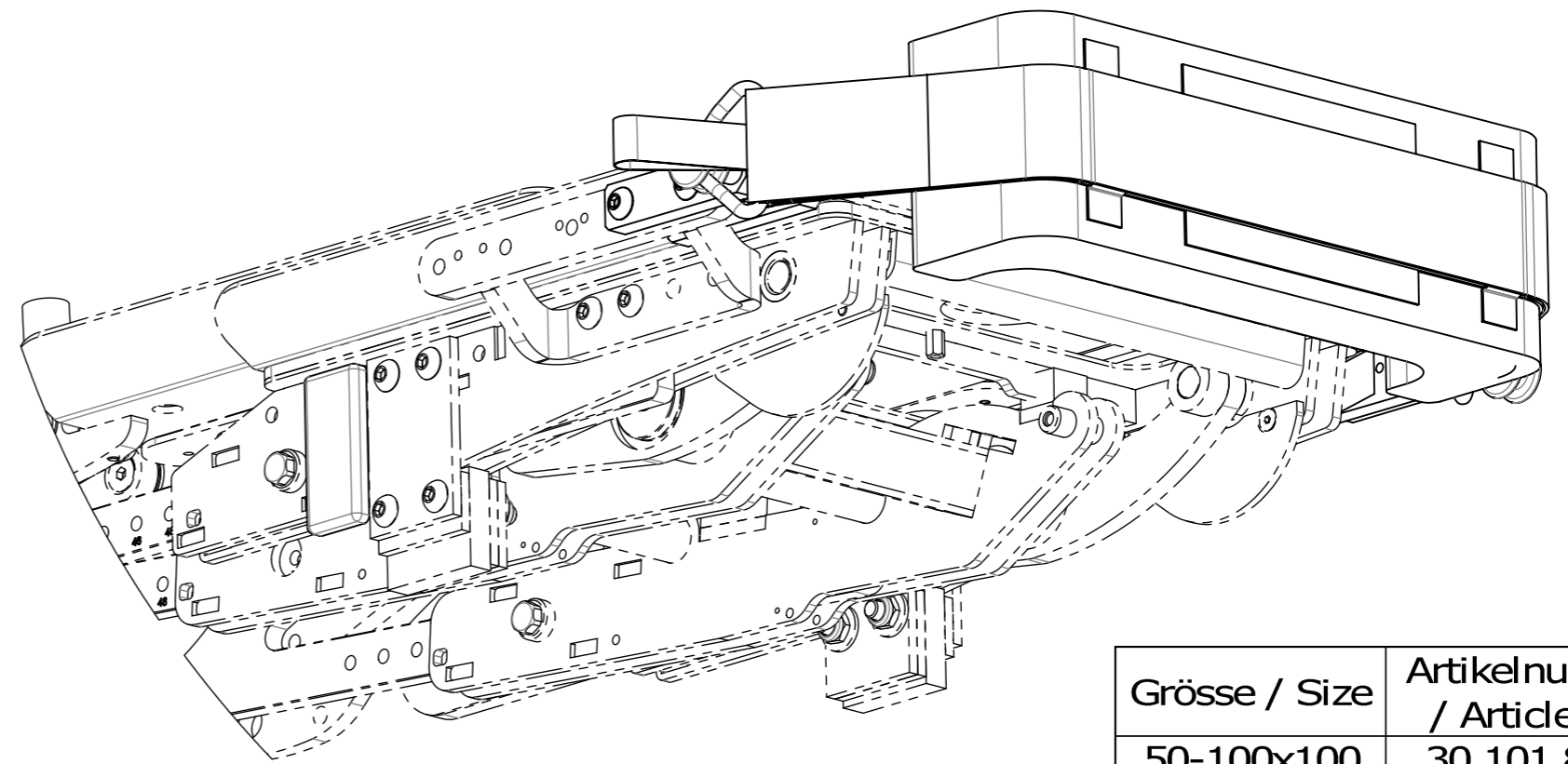
Benennung / Description  
**Kniehalter soft**  
**Knee support soft**

**LEVO**.<sup>dt</sup> LEVO AG  
 CH-5610 Wohlen  
 www.levo.ch

Rollstuhl / Wheelchair  
**C3**

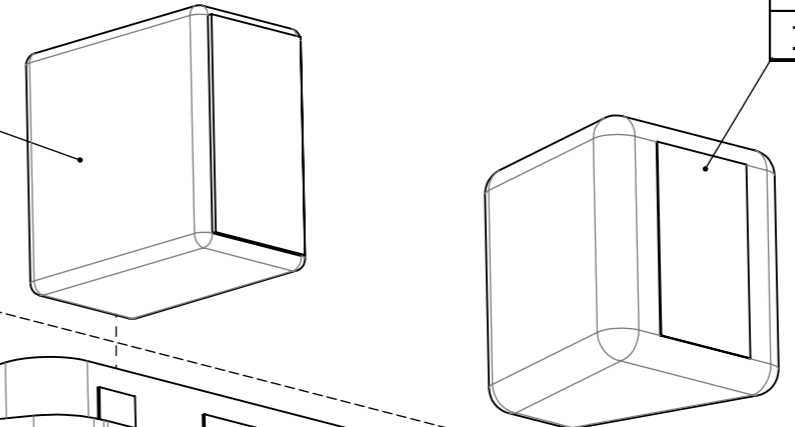
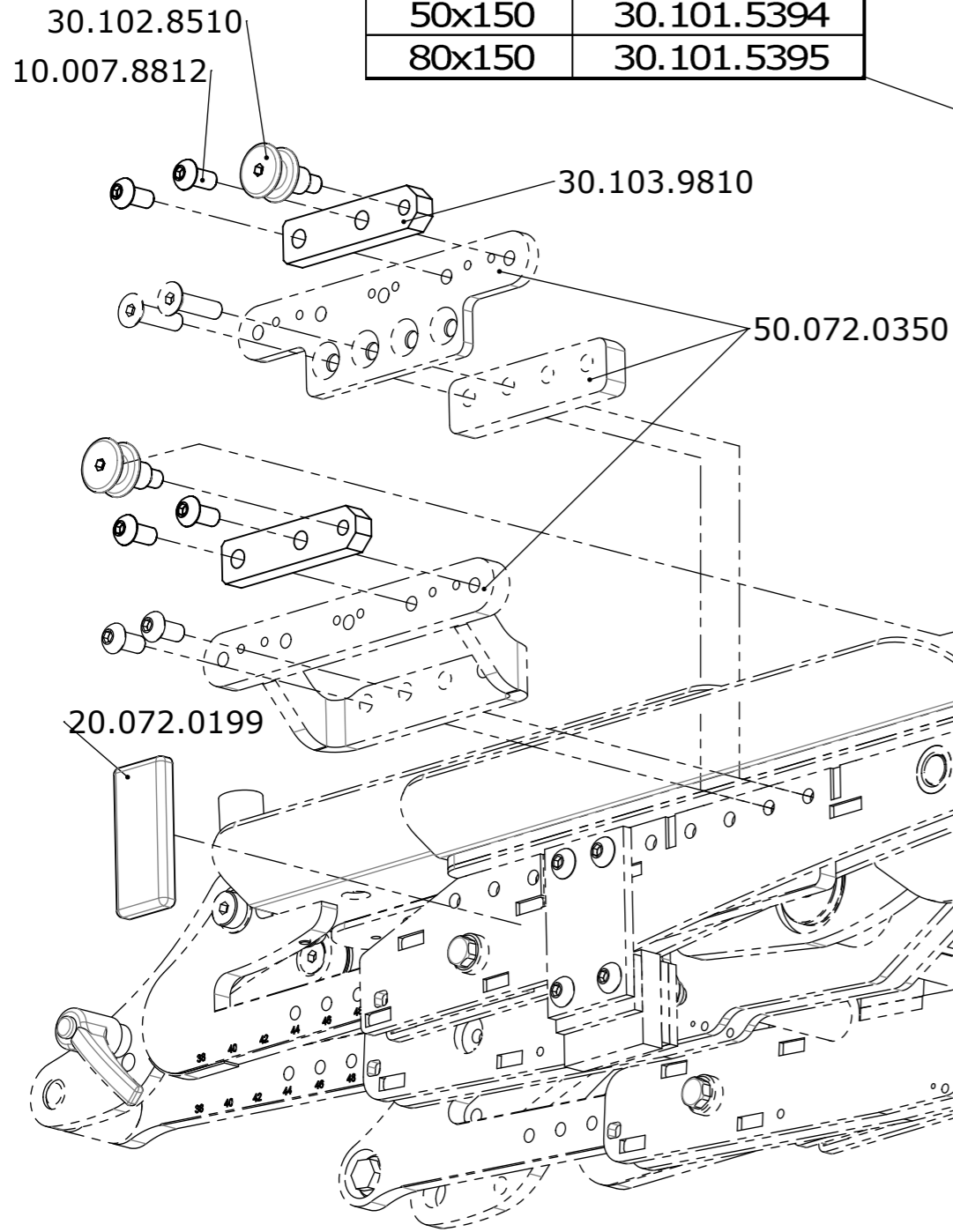
Artikelnummer / Art. no.  
**50.072.0145**

Blatt / Anz. / Sheet / no. of  
**1 / 1**  
 Index / Rev.  
 -



| Grösse / Size | Artikelnummer / Article no. |
|---------------|-----------------------------|
| 50x100        | 30.101.5391                 |
| 60x100        | 30.101.5392                 |
| 80x100        | 30.101.5393                 |
| 50x150        | 30.101.5394                 |
| 80x150        | 30.101.5395                 |

| Grösse / Size | Artikelnummer / Article no. |
|---------------|-----------------------------|
| 50-100x100    | 30.101.8221                 |
| 90-140x100    | 30.101.8222                 |
| 130-180x100   | 30.101.8223                 |



| Sitzbreite / Seat width | Typ / Type | Art.-Nr. / Article no. |
|-------------------------|------------|------------------------|
| 32                      | 1          | 30.101.5402            |
| 36                      | 1          | 30.101.5402            |
| 40                      | 2          | 30.101.5403            |
| 44                      | 3          | 30.101.5405            |
| 48                      | 4          | 30.101.5407            |
| 52                      | 5          | 30.101.5408            |

Erstellt / Prepared: 30.10.2017 PW  
 Geändert / Modified: -  
 Gepr. / Freig. / Approved: 30.10.2017 HB  
 Status: freigegeben/approved

Benennung / Description: **Kniehalter**  
**Knee support**

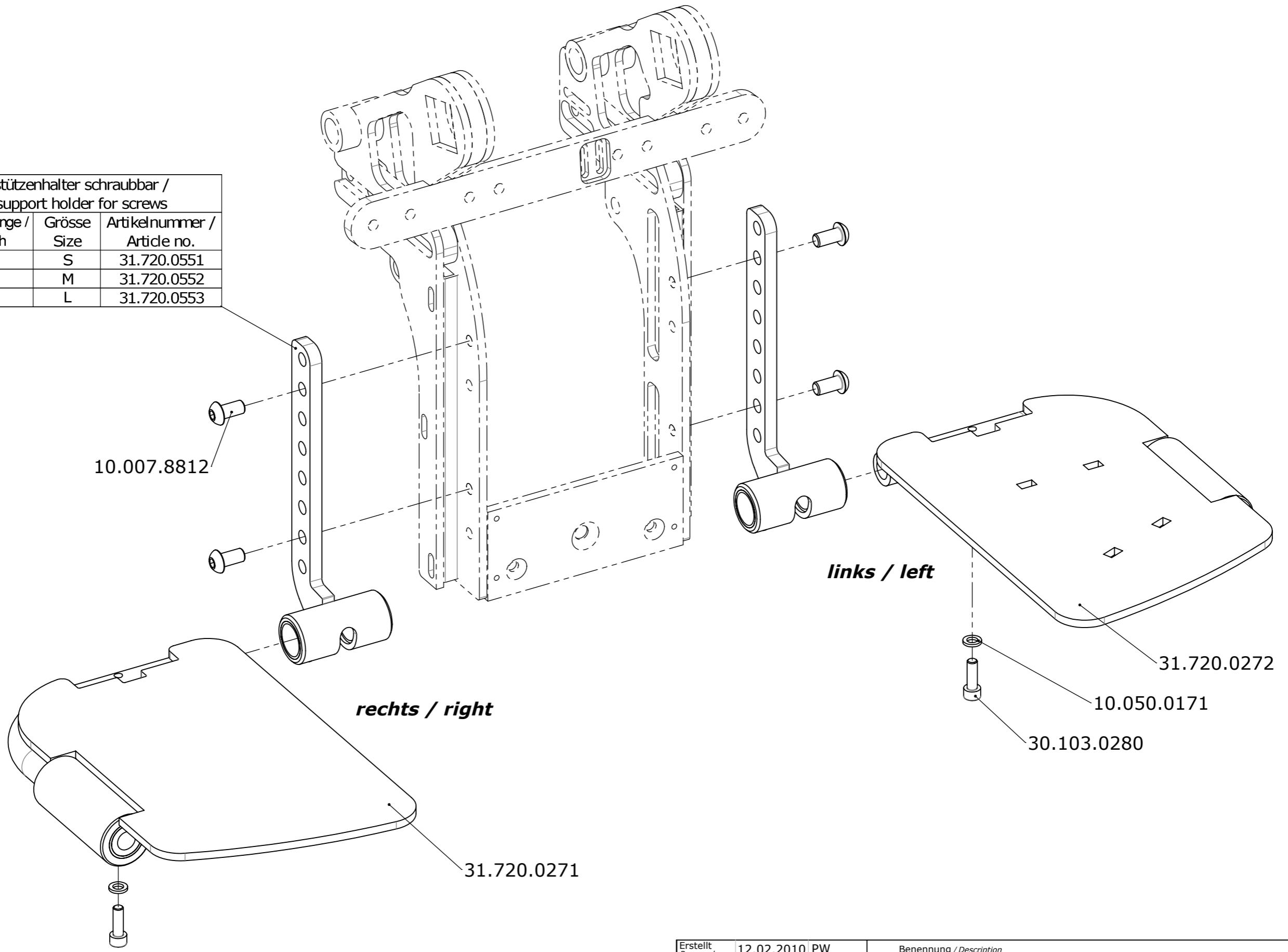
**LEVO**.<sup>dt</sup> LEVO AG  
 CH-5610 Wohlen  
 www.levo.ch


Rollstuhl / Wheelchair  
**C3**

Artikelnummer / Art. no.: **50.072.0145**

Blatt / Anz. / Sheet / no. of: **1 / 1**  
 Index / Rev.: -

| Fussstützenhalter schraubbar /<br>Foot support holder for screws |                |                                |
|--|----------------|--------------------------------|
| Unterschenkelänge /<br>Lower leg length                          | Grösse<br>Size | Artikelnummer /<br>Article no. |
| 20 - 30 cm   | S              | 31.720.0551                    |
| 30.1 - 44.9 cm   | M              | 31.720.0552                    |
| 45 - 50 cm   | L              | 31.720.0553                    |



|   |                      |   |  |
|---|----------------------|---|--|
| Erstellt<br><i>Prepared</i>   | 12.02.2010 PW        | Benennung / Description<br><b>Fussauflagen 2010<br/>Footrest 2010</b> | Blatt / Anz.<br>Sheet / no. of<br><b>1 / 1</b>         |
| Geändert<br><i>Modified</i>   | 13.11.2013 PW        |   |  |
| Gepr. / Freig.<br><i>Approved</i>   | 13.11.2013 FW        |   |  |
| Status<br><i>Status</i>   | freigegeben/approved |   |  |
|  <b>LEVO AG</b><br>CH-5610 Wohlen<br>www.levo.ch |                      | Rollstuhl<br><i>Wheelchair</i><br><b>C3</b>                           | Artikelnummer<br><i>Art. no.</i><br><b>50.072.0151</b> |
|   |                      |   | Index / Rev.<br><b>D</b>                               |

CONFIDENTIAL! All rights reserved. Reproduction and processing in any form whatever is not permitted without written authority of LEVO AG.

SH48 R: 30.103.9951  
SH48 L: 30.103.9952

SH54 R: 30.103.9953  
SH54 L: 30.103.9954

**SH 48: 32.072.0081**  
**SH 54: 32.072.0082**

30.103.4120

10.061.0320

31.720.0880

30.103.4600

30.103.4422

10.017.0306

10.006.0825

10.007.8610

10.006.8612

30.100.4430

20.072.0315

30.103.4430

30.103.4640

30.103.9922

30.103.9912

30.103.4530

30.103.4421

31.720.0851

10.006.0610

30.103.4511

10.006.8612

10.057.0406

10.050.0046

30.103.4310

30.103.4280

30.103.4300

30.103.4290

10.027.4419

30.103.4650

10.006.8612

10.008.2306

30.103.4520

10.006.4619

31.720.0860

30.103.4512

10.007.8612

30.103.4231

10.003.2318

10.006.4512

30.103.4390

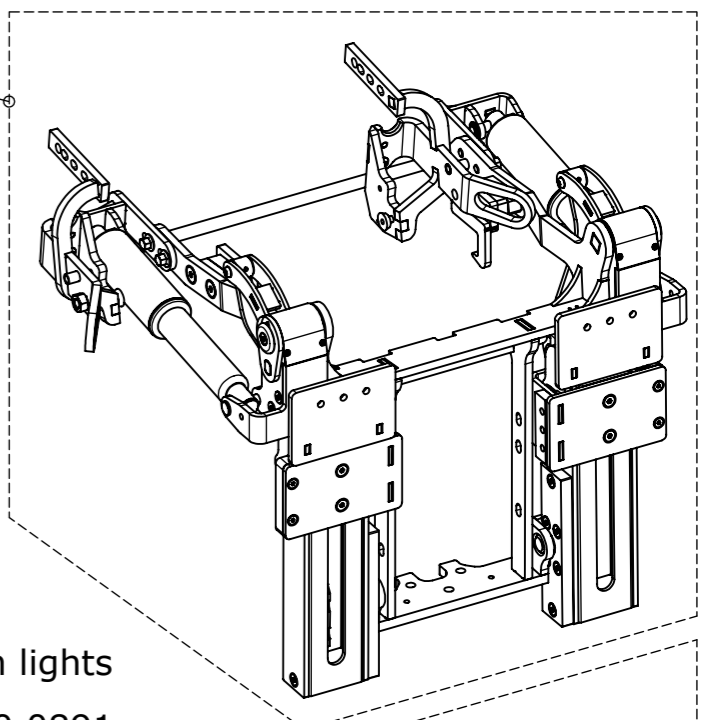
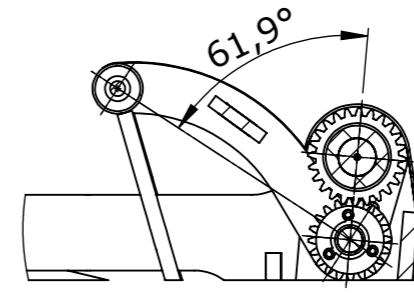
31.720.0840

31.720.0852

**50.072.0156**

30.103.4232

10.007.8812



right: 31.720.0891

left: 31.720.0892

10.007.0514  
10.072.0960

20.068.0032  
30.103.7540  
10.057.0405

30.103.6480  
31.720.0380

without lights

30.103.4551

10.007.8612

10.050.0046  
10.007.8610

30.103.9660

30.103.4552

|                          |                      |    |
|--------------------------|----------------------|----|
| Erstellt<br>Prepared     | 23.03.2021           | PW |
| Geändert<br>Modified     | 23.03.2021           | EV |
| Gepr./Freig.<br>Approved | 23.03.2021           | EV |
| Status                   | freigegeben/approved |    |

Benennung / Description  
**Elektrische Beinstütze**  
**Electric legrest**

**LEVO**.<sup>+</sup> LEVO AG  
CH-5610 Wohlen  
www.levo.ch

Rollstuhl  
Wheelchair

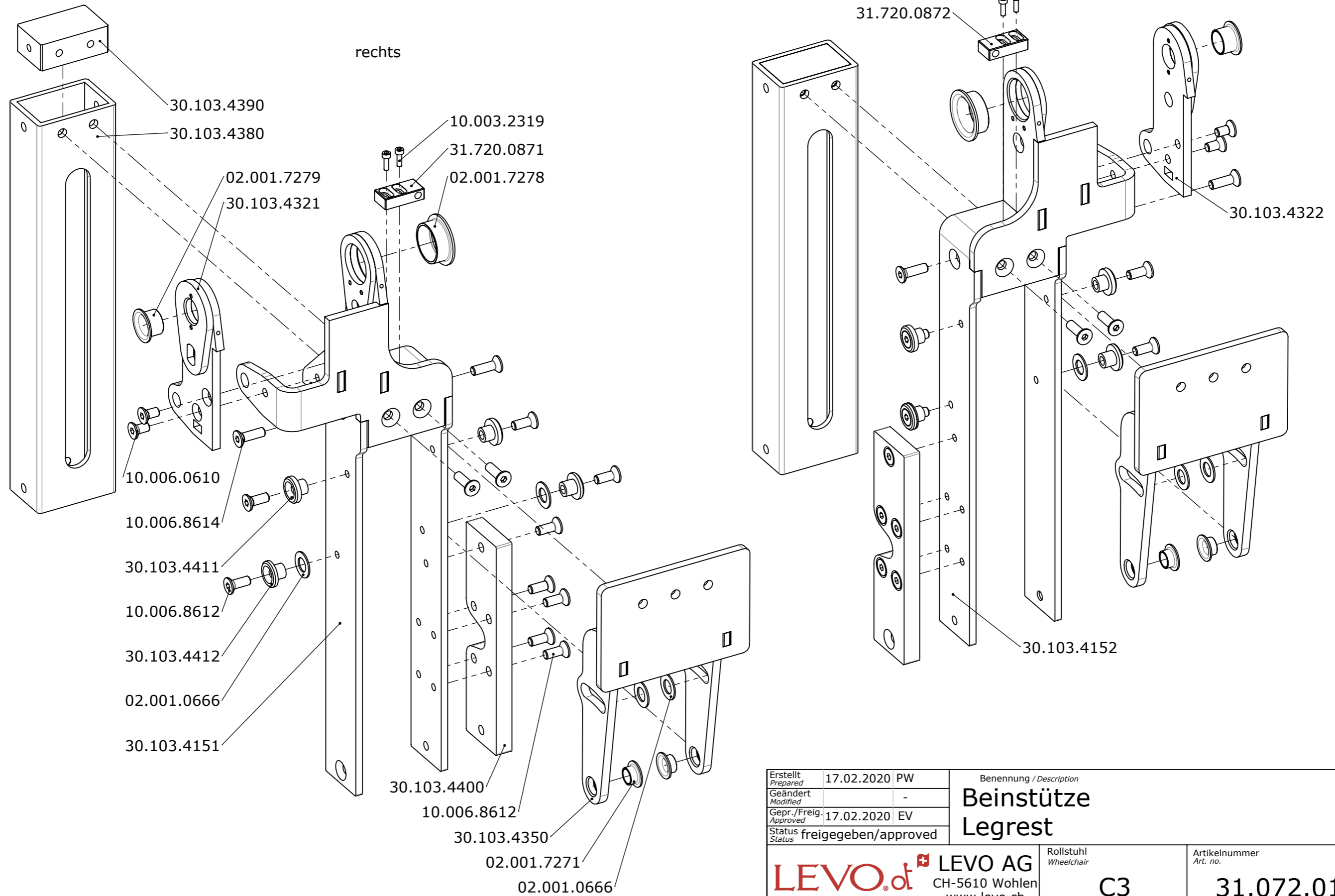
**C3**


Artikelnummer  
Art. no.

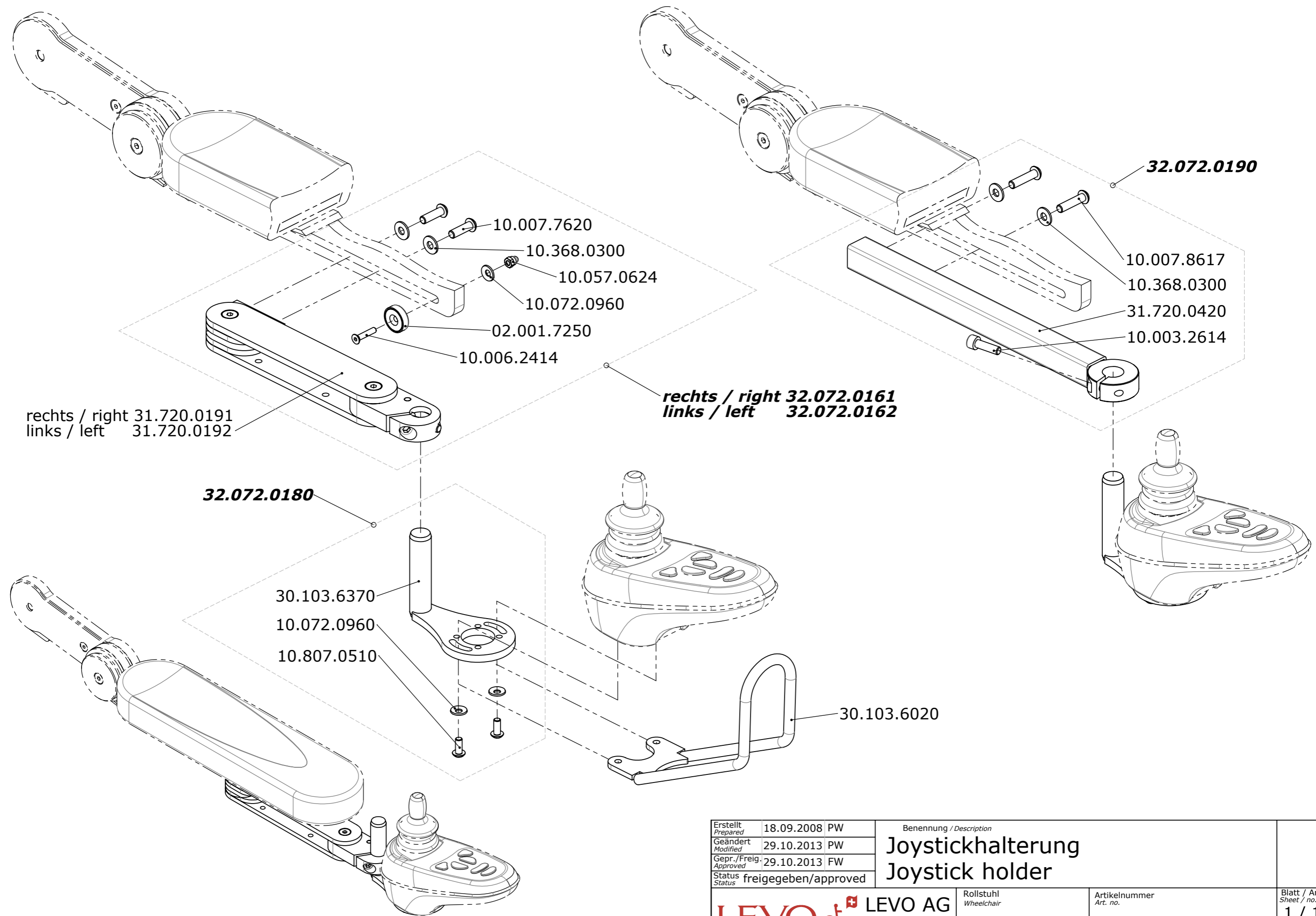
**50.072.0155**


Blatt / Anz.  
Sheet / no. of  
**1 / 2**  
Index / Rev.  
**A**

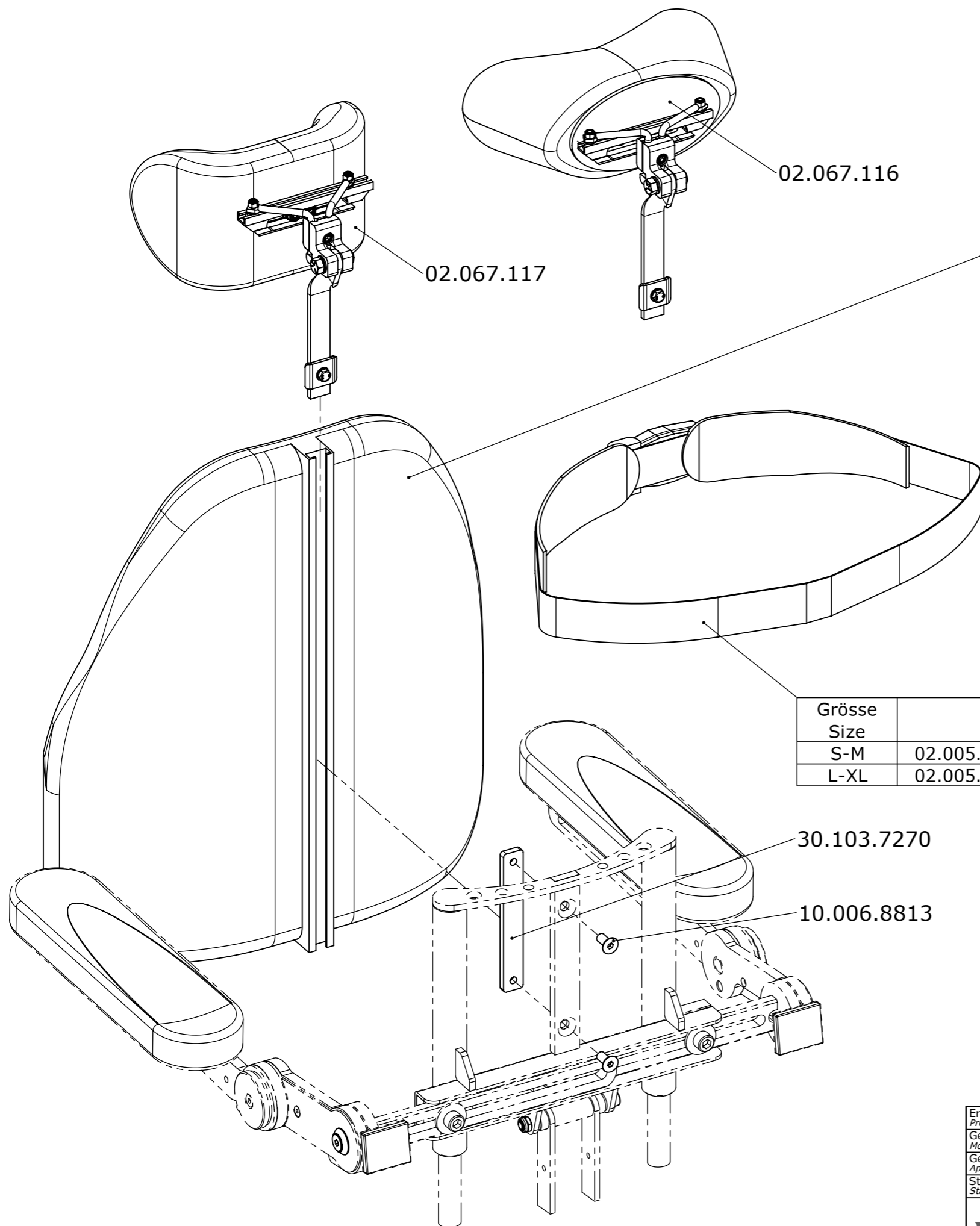
VERTRAULICH! Dieses Dokument ist unser geistiges Eigentum. Es darf ohne unsere ausdrückliche Genehmigung weder kopiert, vervielfältigt oder verwendet, noch an Dritte weitergegeben werden. © LEVO AG



|   |                      |    |                               |                           |                                |
|---|----------------------|----|-------------------------------|---------------------------|--------------------------------|
| Erstellt<br>Prepared  | 17.02.2020           | PW | Benennung / Description       |                           |                                |
| Geändert<br>Modified  |                      | -  | <b>Beinstütze<br/>Legrest</b> |                           |                                |
| Gepr./Freig.<br>Approved  | 17.02.2020           | EV |                               |                           |                                |
| Status  | freigegeben/approved |    |                               |                           |                                |
|  <b>LEVO AG</b><br>CH-5610 Wohlen<br>www.levo.ch |                      |    | Rollstuhl<br>Wheelchair       | Artikelnummer<br>Art. no. | Blatt / Anz.<br>Sheet / no. of |
|   |                      |    | <b>C3</b>                     | <b>31.072.0156</b>        | <b>1 / 1</b>                   |
|   |                      |    |                               |                           | Index / Rev.<br>-              |

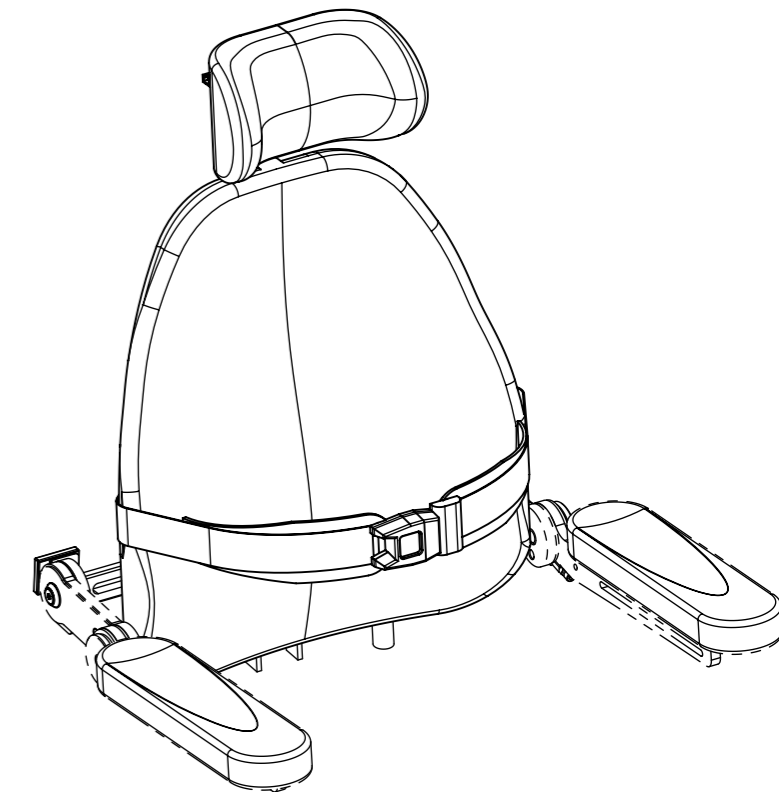


|   |                      |                                |                                  |                                       |
|---|----------------------|--------------------------------|----------------------------------|---------------------------------------|
| Erstellt<br><i>Prepared</i>   | 18.09.2008 PW        | Benennung / <i>Description</i> |                                  |                                       |
| Geändert<br><i>Modified</i>   | 29.10.2013 PW        | <b>Joystickhalterung</b>       |                                  |                                       |
| Gepr./Freig.<br><i>Approved</i>   | 29.10.2013 FW        | <b>Joystick holder</b>         |                                  |                                       |
| Status<br><i>Status</i>   | freigegeben/approved | Rollstuhl<br><i>Wheelchair</i> | Artikelnummer<br><i>Art. no.</i> | Blatt / Anz.<br><i>Sheet / no. of</i> |
|  <b>LEVO AG</b><br>CH-5610 Wohlen<br>www.levo.ch |                      | <b>C3</b>                      | <b>50.072.0160</b>               | <b>1 / 1</b>                          |
|   |                      |                                |                                  | Index / Rev.<br><b>C</b>              |

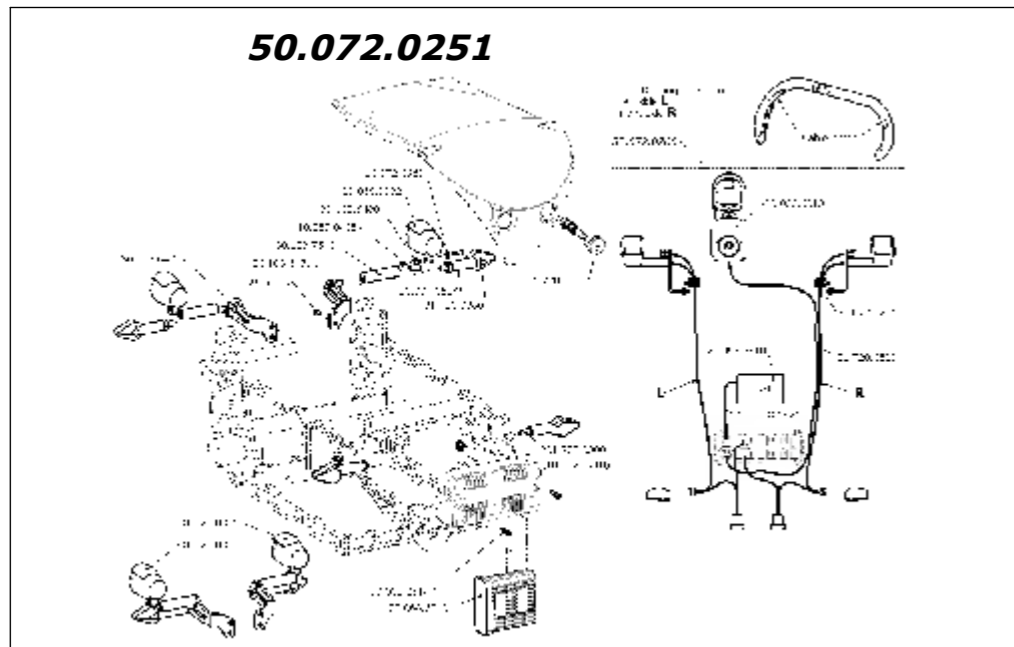
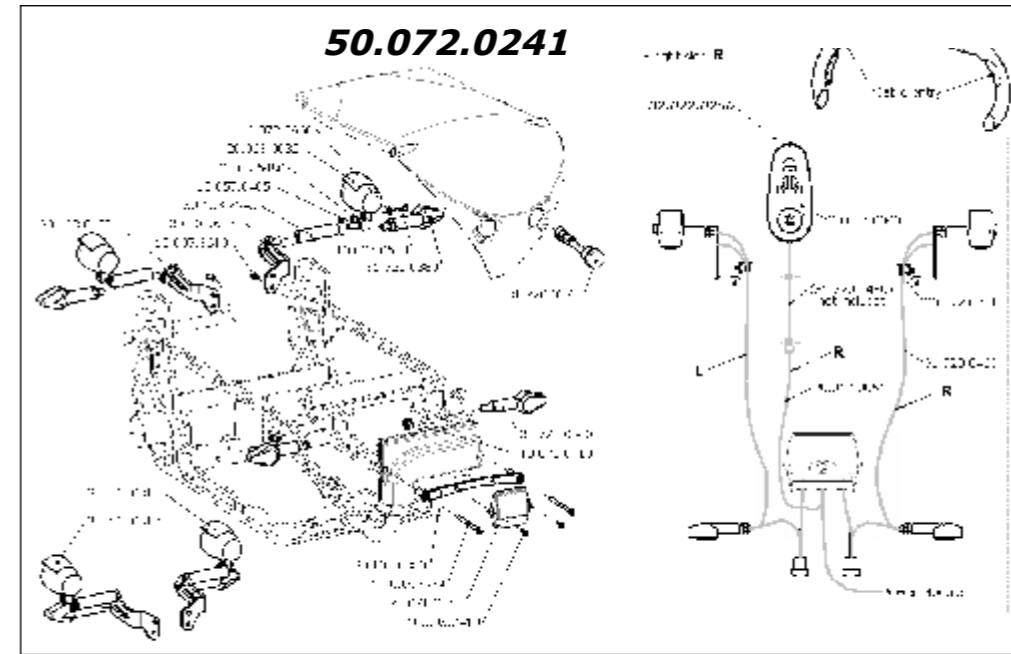
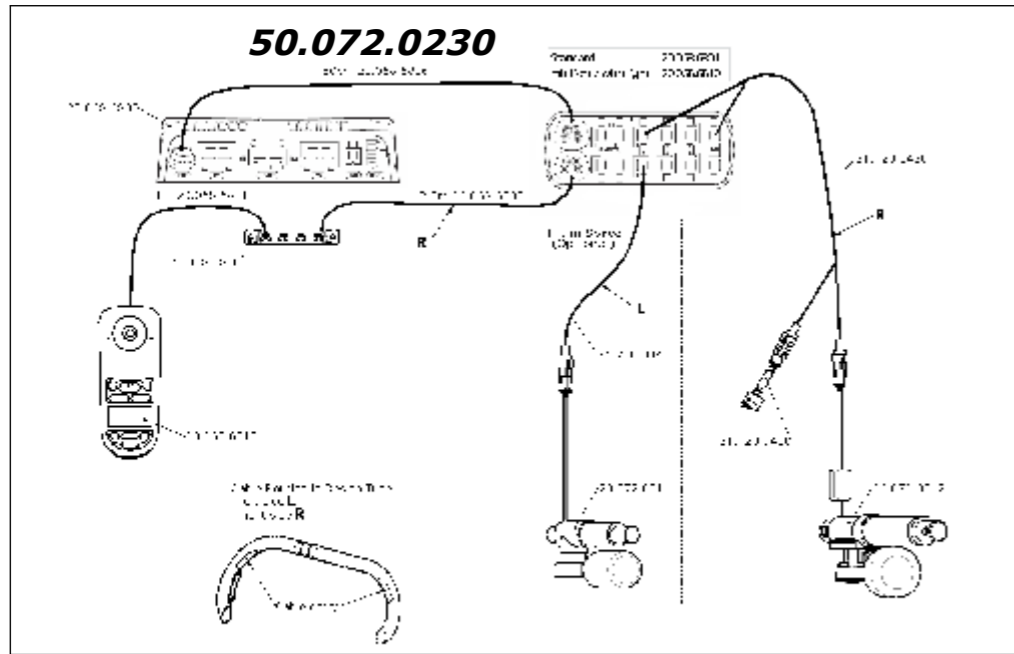
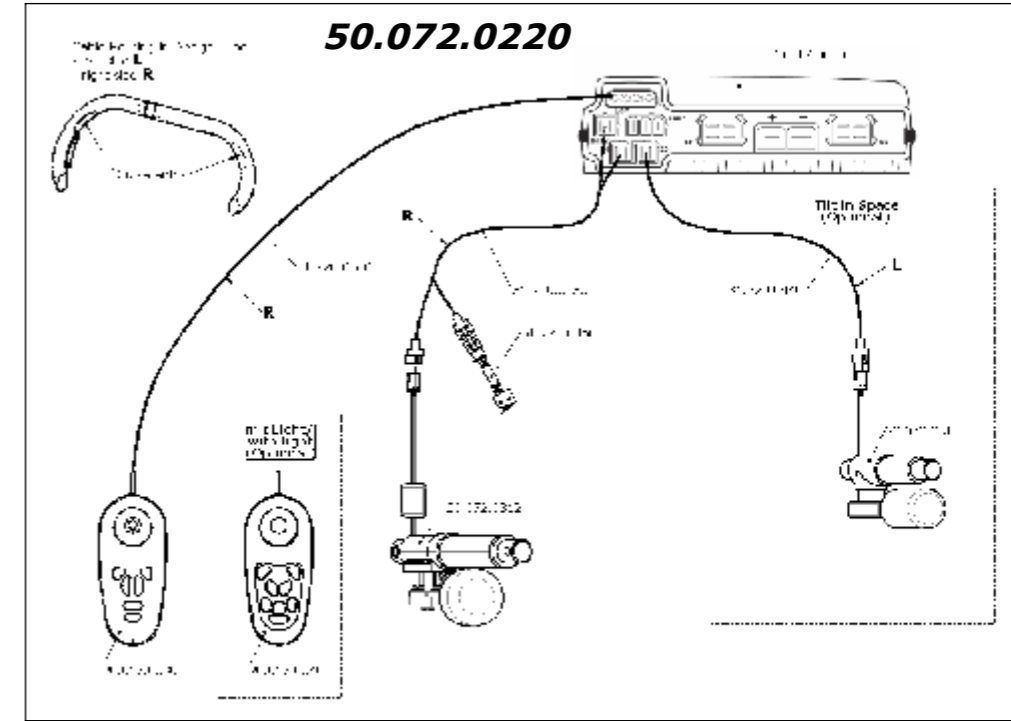
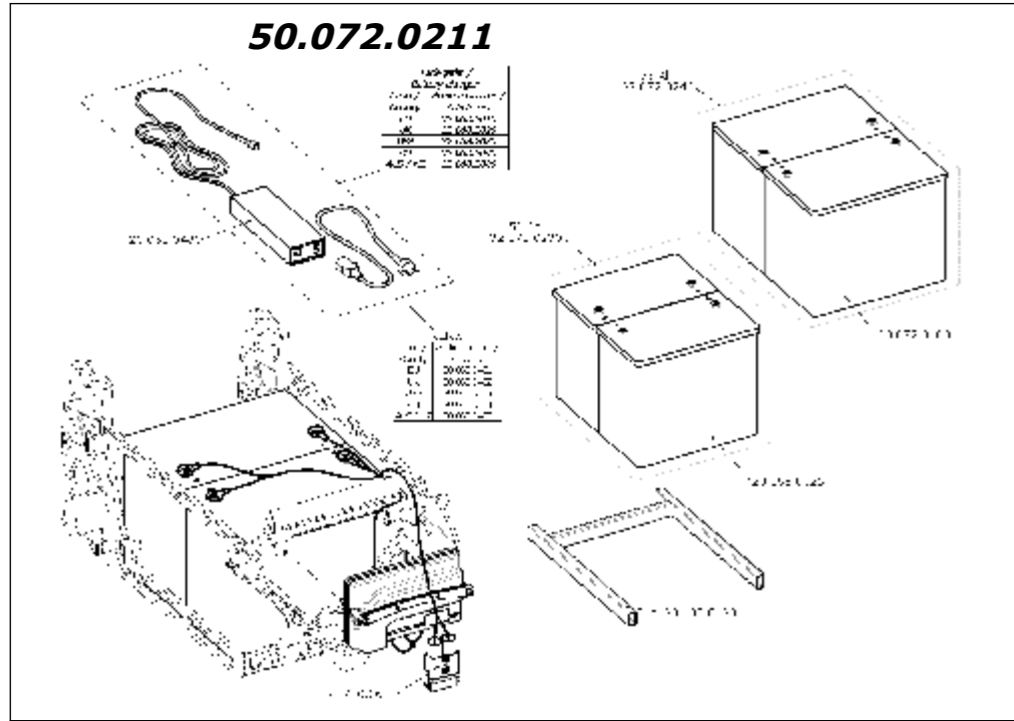


| Grösse | Size | Article no. |
|--------|------|-------------|
| S-M    |      | 02.005.0010 |
| L-XL   |      | 02.005.0020 |

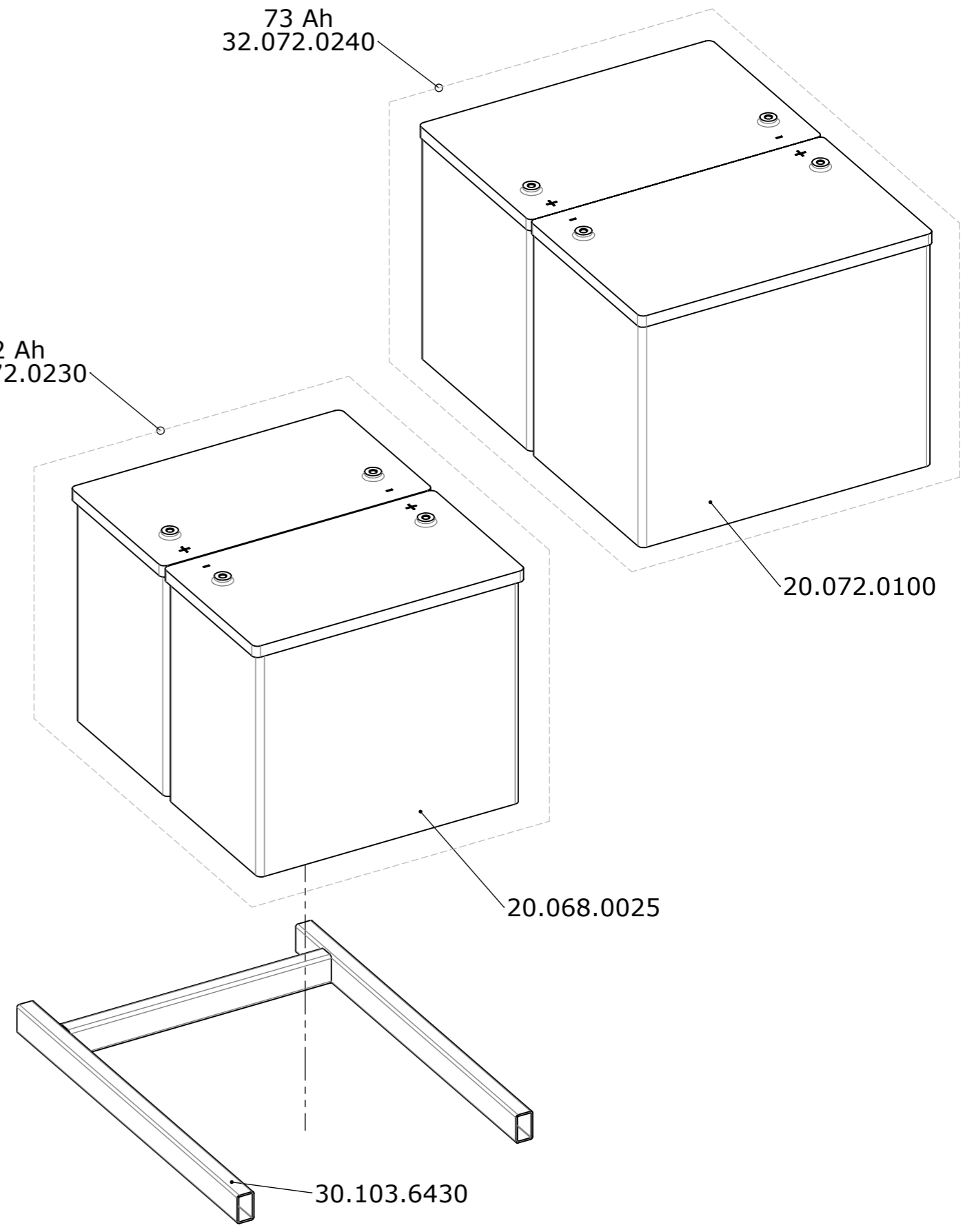
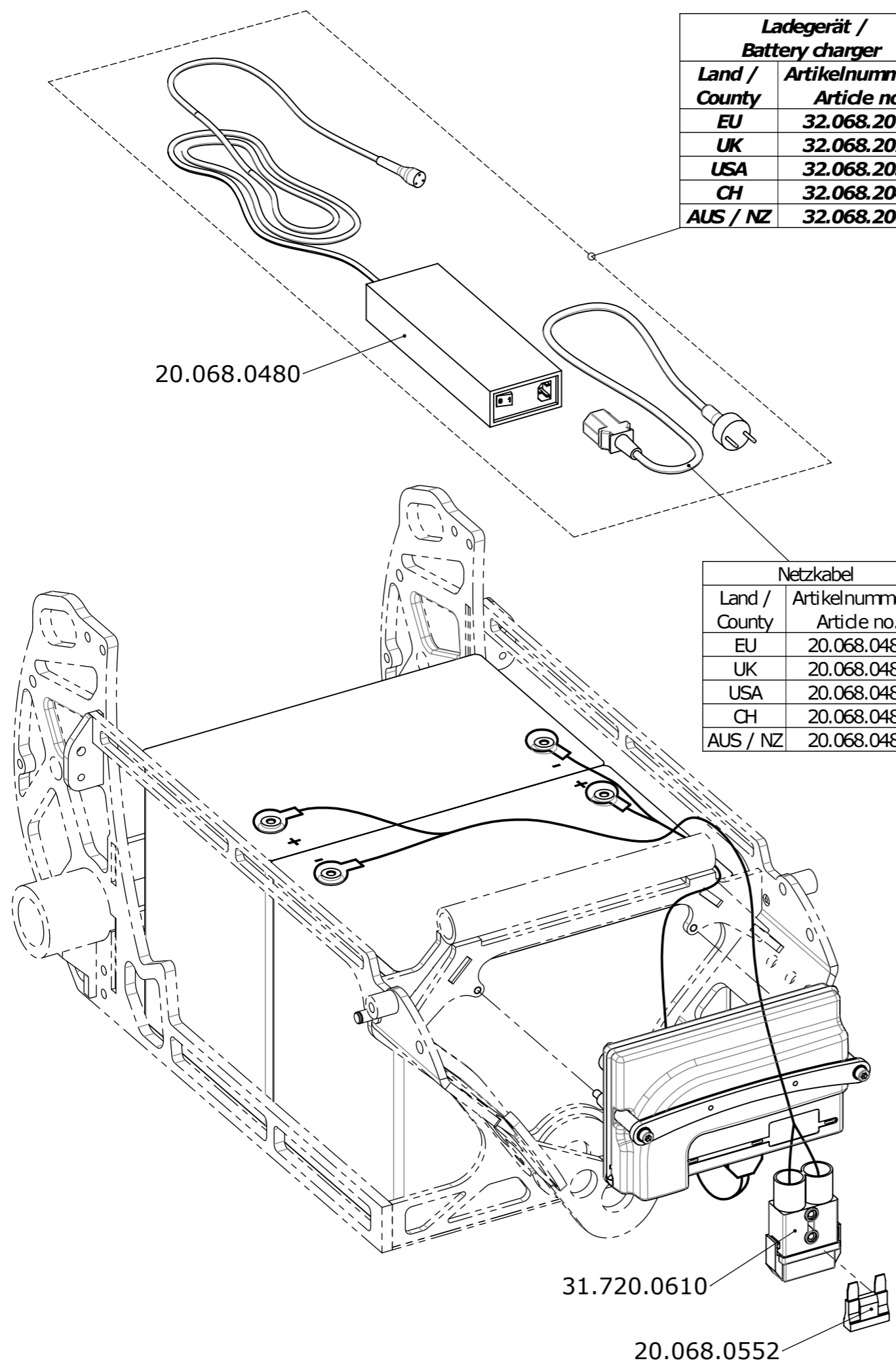
| Sitzbreite<br>Seat width | Artikel-Nr.<br>Article no. | Bezeichnung                              | Description                            |
|--------------------------|----------------------------|--|--|
| 32/36                    | 02.009.0101                | V-Trak AXXIS<br>Niedriger Rücken<br>M    | V-Trak AXXIS<br>Low Backrest<br>M      |
| 40/44                    | 02.009.0102                | V-Trak AXXIS<br>Niedriger Rücken<br>L    | V-Trak AXXIS<br>Low Backrest<br>L      |
| 48/52                    | 02.009.0103                | V-Trak AXXIS<br>Niedriger Rücken<br>XL   | V-Trak AXXIS<br>Low Backrest<br>XL     |
| 32/36                    | 02.009.0110                | V-Trak AXXIS<br>Hoher Rücken<br>M        | V-Trak AXXIS<br>High Backrest<br>M     |
| 40/44                    | 02.009.0111                | V-Trak AXXIS<br>Hoher Rücken<br>L        | V-Trak AXXIS<br>High Backrest<br>L     |
| 48/52                    | 02.009.0112                | V-Trak AXXIS<br>Hoher Rücken<br>XL       | V-Trak AXXIS<br>High Backrest<br>XL    |
| 32/36                    | 02.009.0116                | V-Trak AXXIS<br>Reduzierter Rücken<br>M  | V-Trak AXXIS<br>reduced Backrest<br>M  |
| 40/44                    | 02.009.0117                | V-Trak AXXIS<br>Reduzierter Rücken<br>L  | V-Trak AXXIS<br>reduced Backrest<br>L  |
| 48/52                    | 02.009.0118                | V-Trak AXXIS<br>Reduzierter Rücken<br>XL | V-Trak AXXIS<br>reduced Backrest<br>XL |




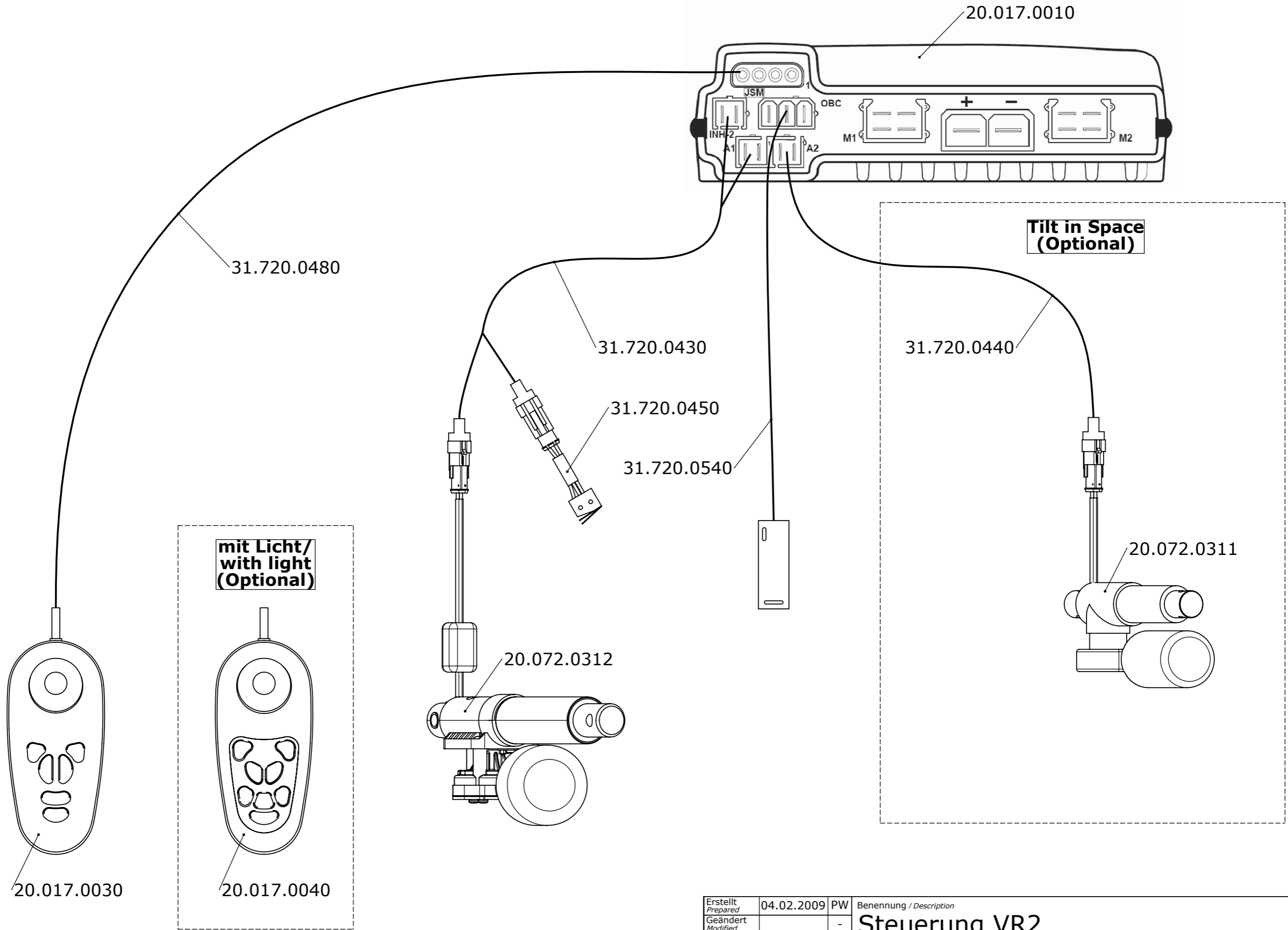
|  |            |    |   |                         |                           |                                |
|--|------------|----|---|-------------------------|---------------------------|--------------------------------|
| Erstellt<br>Prepared                     | 17.02.2009 | PW | Benennung / Description<br><b>Rücken<br/>Backrest</b> | Rollstuhl<br>Wheelchair | Artikelnummer<br>Art. no. | Blatt / Anz.<br>Sheet / no. of |
| Geändert<br>Modified                     |            | -  |   |                         |                           |                                |
| Gepr. / Freig.<br>Approved               | 01.04.2009 | TN |   |                         |                           |                                |
| Status                                   |            |    |   |                         |                           | Index / Rev.                   |
| LEVO AG<br>CH-5610 Wohlen<br>www.levo.ch |            |    | C3  | 50.072.0170             | 1 / 1                     |                                |



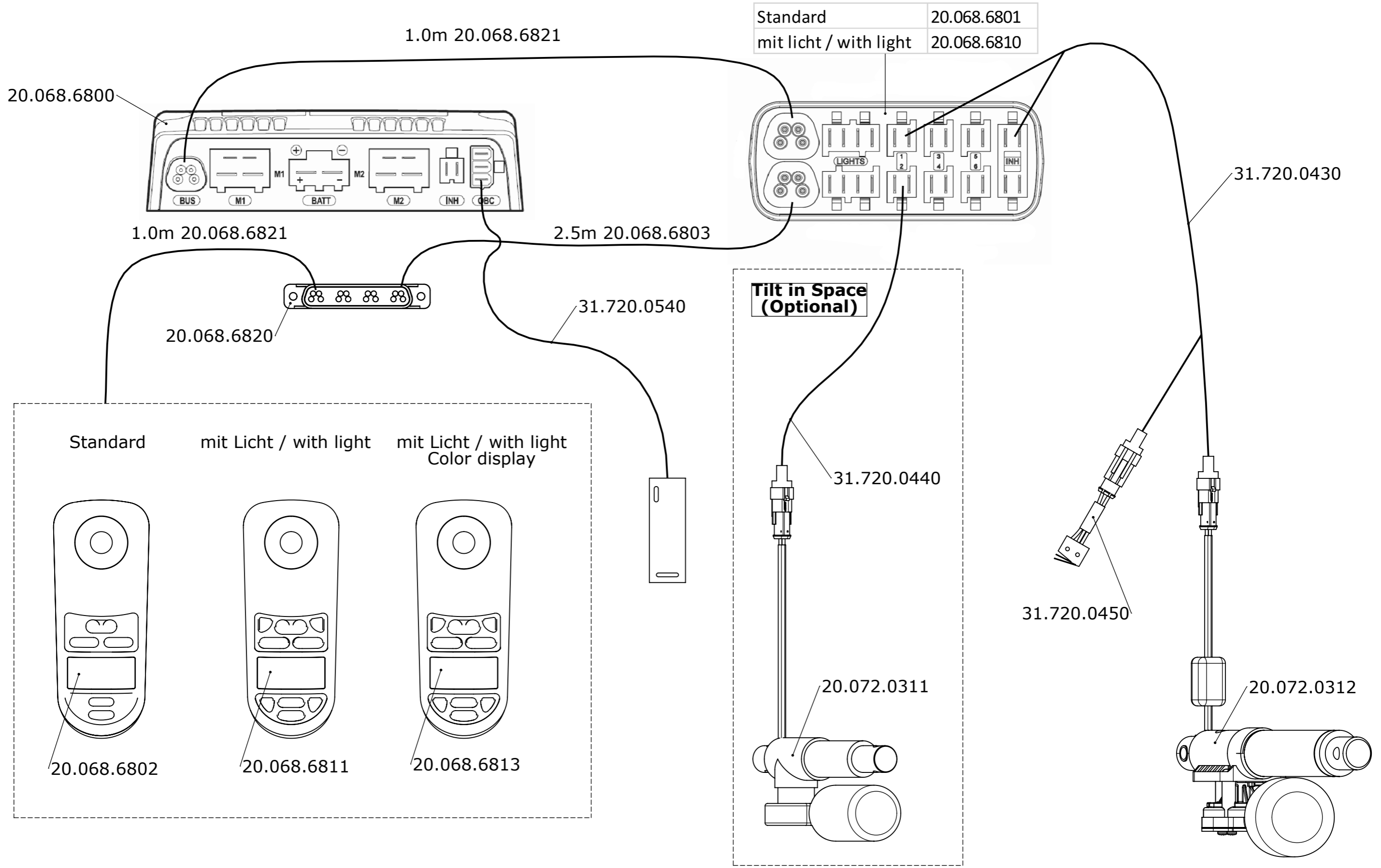
|  |                      |  |                           |                                |                            |
|--|----------------------|--|---------------------------|--------------------------------|----------------------------|
| Erstellt<br>Prepared                     | 09.04.2009 PW        | Benennung / Description<br><b>Elektronik<br/>Electronics</b> | Artikelnummer<br>Art. no. | Blatt / Anz.<br>Sheet / no. of |                            |
| Geändert<br>Modified                     | 19.03.2012 PW        |  |                           |                                |                            |
| Gepr./Freig.<br>Approved                 | 19.03.2012 BM        |  |                           |                                |                            |
| Status                                   | freigegeben/approved |  |                           |                                |                            |
| LEVO AG<br>CH-5610 Wohlen<br>www.levo.ch |                      | Rollstuhl<br>Wheelchair                                      | C3                        | 50.072.0200                    | 1 / 1<br>Index / Rev.<br>D |



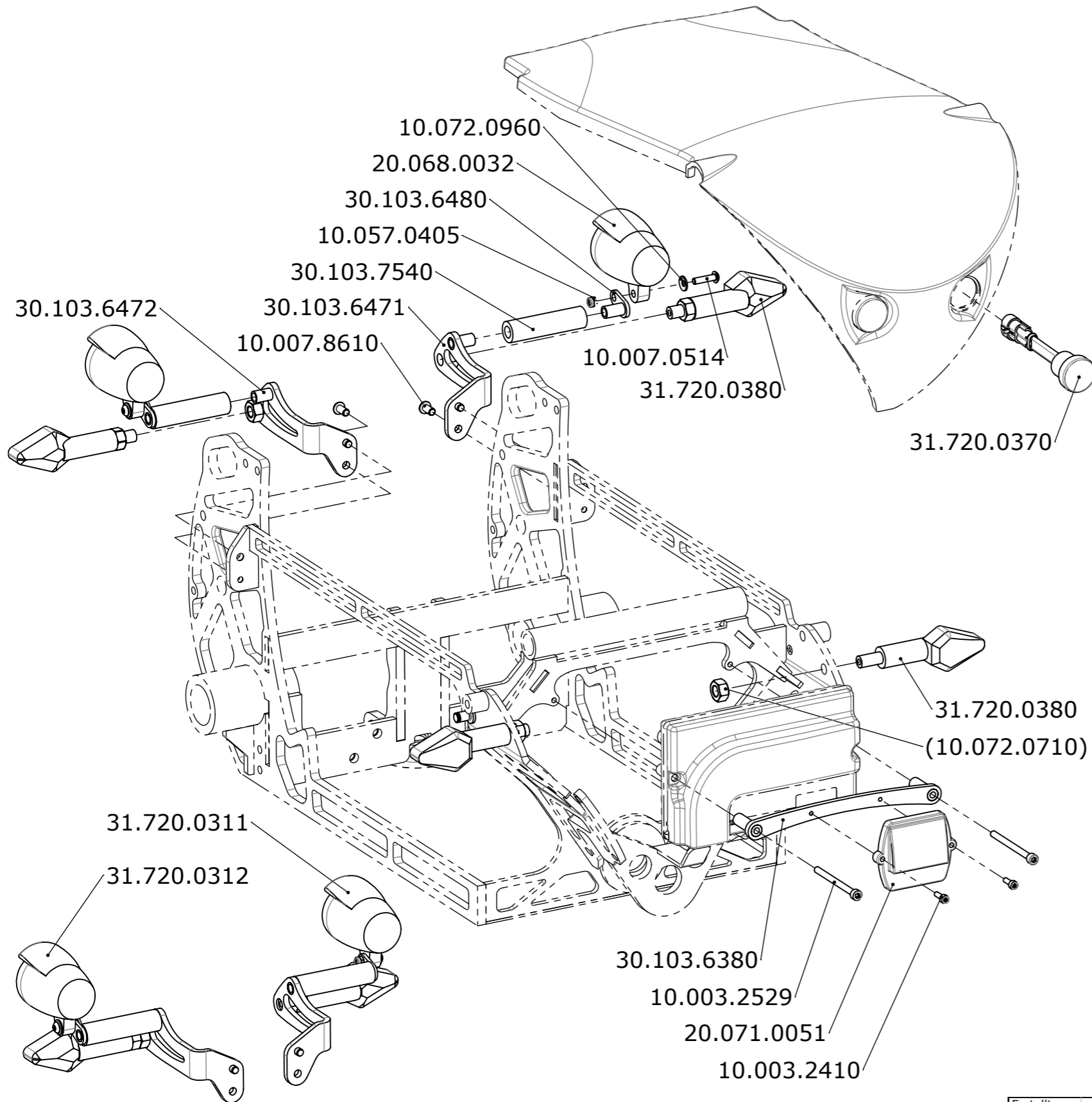
|   |                      |   |                                  |       |                   |
|---|----------------------|---|----------------------------------|-------|-------------------|
| Erstellt<br><i>Prepared</i>   | 28.02.2011 PW        | Benennung / Description<br><b>Batterien 2010</b><br><b>Batteries 2010</b> | Blatt / Anz.<br>Sheet / no. of   |       |                   |
| Geändert<br><i>Modified</i>   | 18.09.2013 PW        |   |                                  | 1 / 1 |                   |
| Gepr./Freig.<br><i>Approved</i>   | 18.09.2013 HB        |   |                                  |       | Index / Rev.<br>C |
| Status  | freigegeben/approved |   |                                  |       |                   |
|  <b>LEVO AG</b><br>CH-5610 Wohlen<br>www.levo.ch |                      | Rollstuhl<br><i>Wheelchair</i>  | Artikelnummer<br><i>Art. no.</i> |       |                   |
|   |                      | <b>C3</b>   | <b>50.072.0211</b>               |       |                   |



|  |            |    |   |   |
|--|------------|----|---|---|
| Erstellt<br><i>Prepared</i>  | 04.02.2009 | PW | Benennung / <i>Description</i>                    |   |
| Geändert<br><i>Modified</i>  |            | -  | <b>Steuerung VR2</b><br><b>Control system VR2</b> |   |
| Gepr./Freig.<br><i>Approved</i>  | 01.04.2009 | TN |   |   |
| Status   |            |    |   |   |
| <b>LEVO</b> <sup>dt</sup> <b>LEVO AG</b><br>THE EXPERTS IN STANDING<br>CH-5610 Wohlen<br>www.levo.ch |            |    | Rollstuhl<br><i>Wheelchair</i><br><b>C3</b>       | Artikelnummer<br><i>Art. no.</i><br><b>50.072.0220</b>                |
|  |            |    |   | Blatt / Anz.<br><i>Sheet / no. of</i><br><b>1 / 1</b><br>Index / Rev. |

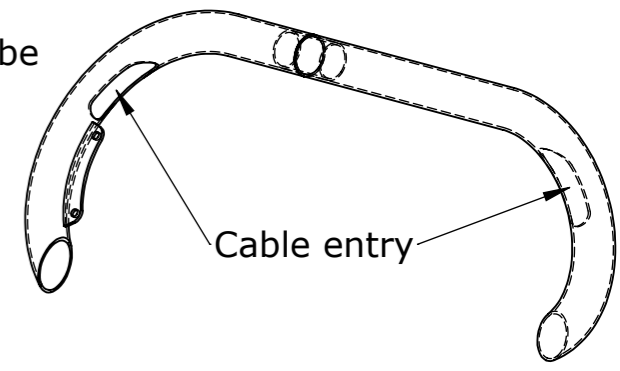


|  |            |    |  |   |
|--|------------|----|--|---|
| Erstellt<br>Prepared                     | 03.02.2009 | PW | Benennung / Description<br><b>Steuerung R-Net</b><br><b>Control system R-Net</b> | Blatt / Anz.<br>Sheet / no. of<br><b>1 / 1</b>  |
| Geändert<br>Modified                     | 23.06.2010 | PW |  |   |
| Gepr. / Freig.<br>Approved               | 23.06.2010 | TN |  |   |
| Status                                   |            |    |  |   |
| LEVO AG<br>CH-5610 Wohlen<br>www.levo.ch |            |    | Rollstuhl<br>Wheelchair<br><b>C3</b>   | Artikelnummer<br>Art. no.<br><b>50.072.0230</b> |
|  |            |    |  | Index / Rev.<br><b>A</b>                        |

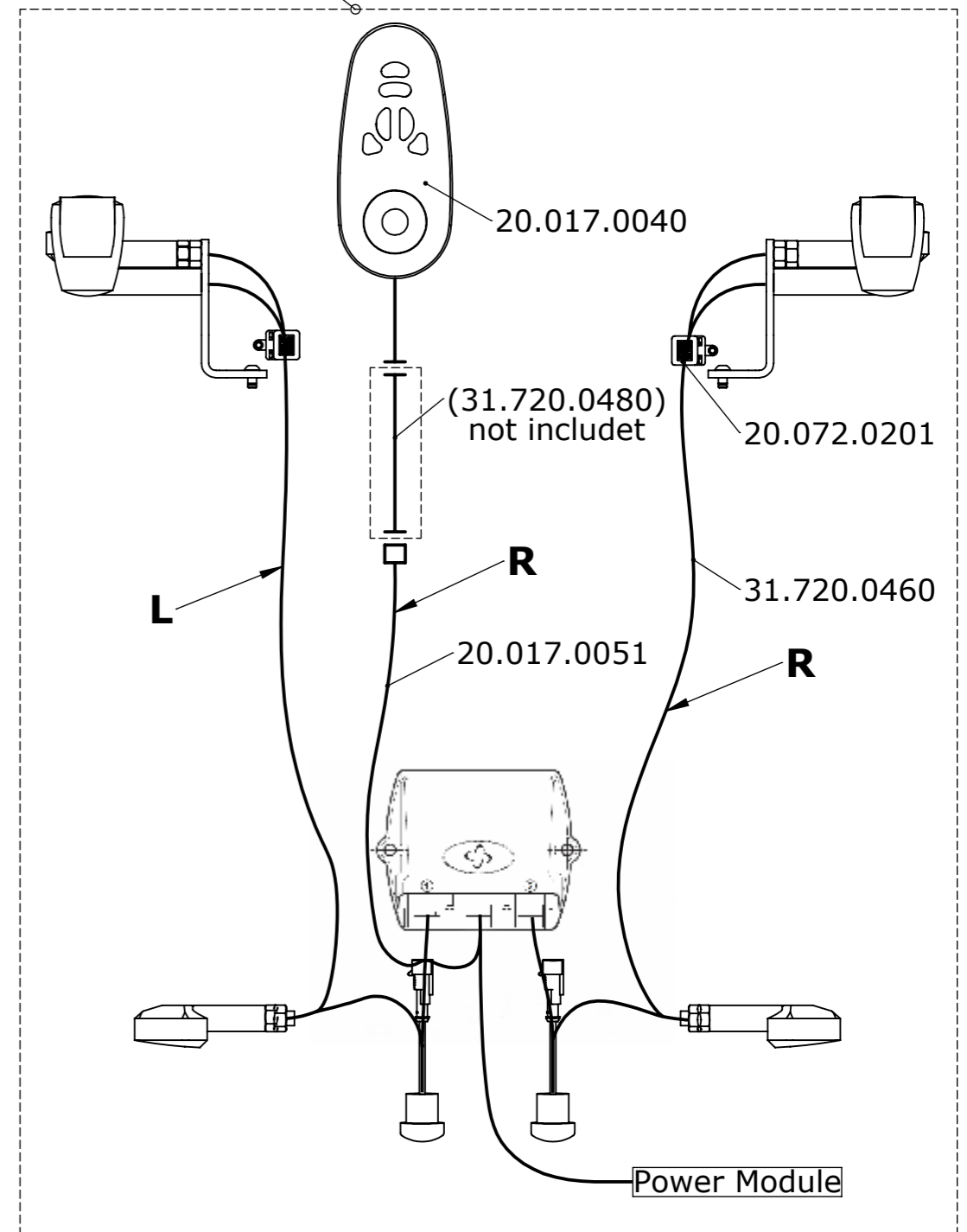


Cable Routing in Design Tube

- left side **L**
- right side **R**



**32.072.0250**



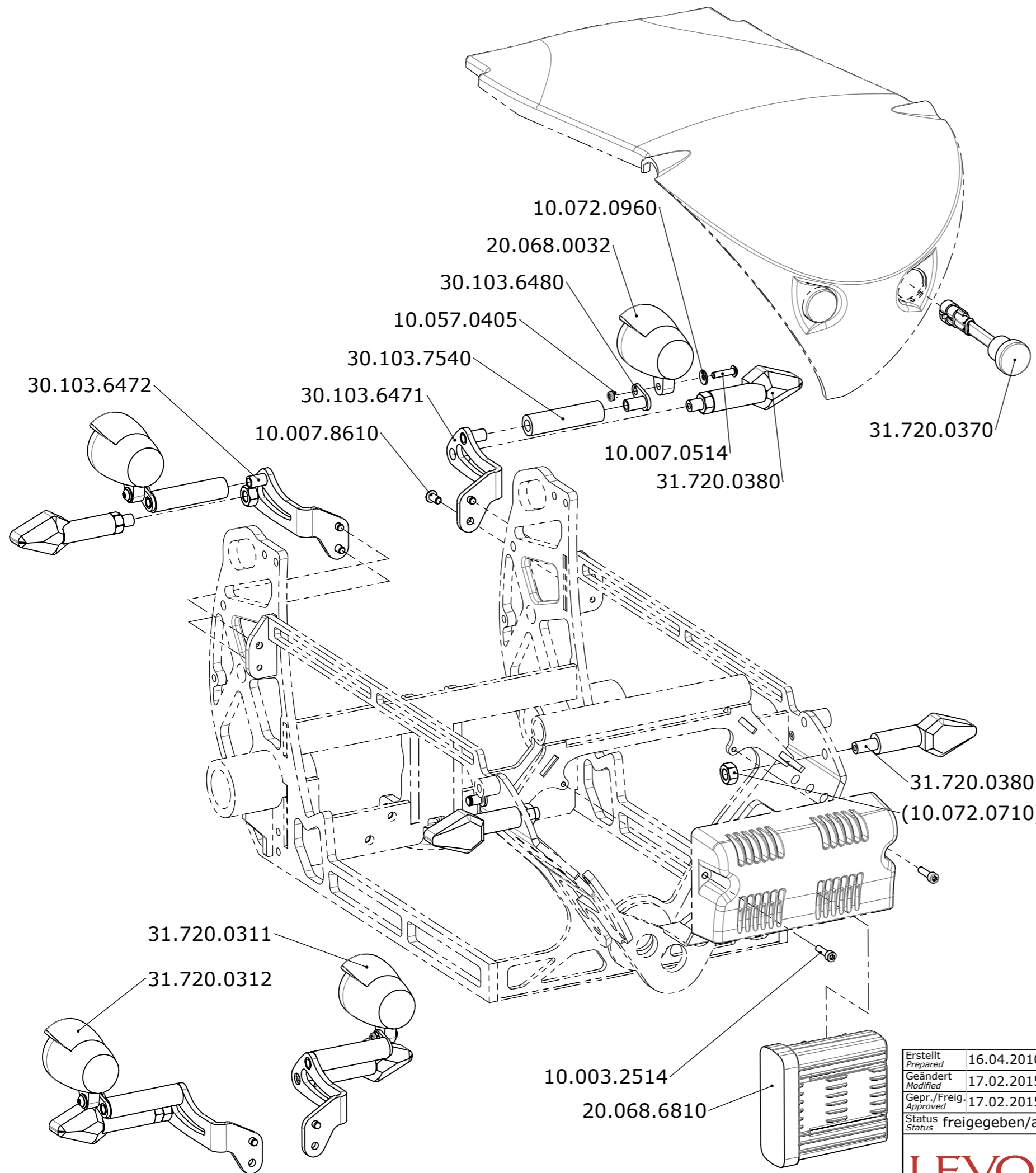
|                          |                      |    |
|--------------------------|----------------------|----|
| Erstellt<br>Prepared     | 16.04.2010           | PW |
| Geändert<br>Modified     | 17.02.2015           | PW |
| Gepr./Freig.<br>Approved | 17.02.2015           | FW |
| Status                   | freigegeben/approved |    |

|                           |  |
|---------------------------|--|
| Benennung / Description   | <b>Beleuchtung VR2 2010</b><br><b>Lights and indicators VR2 2010</b> |
| Artikelnummer<br>Art. no. |  |

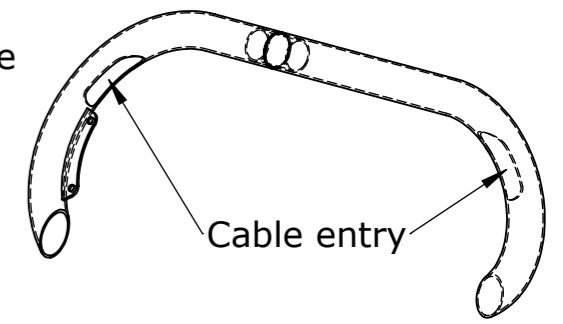
**LEVO**.<sup>+</sup> LEVO AG  
CH-5610 Wohlen  
www.levo.ch  
THE EXPERTS IN STANDING

Rollstuhl  
Wheelchair  
**C3**

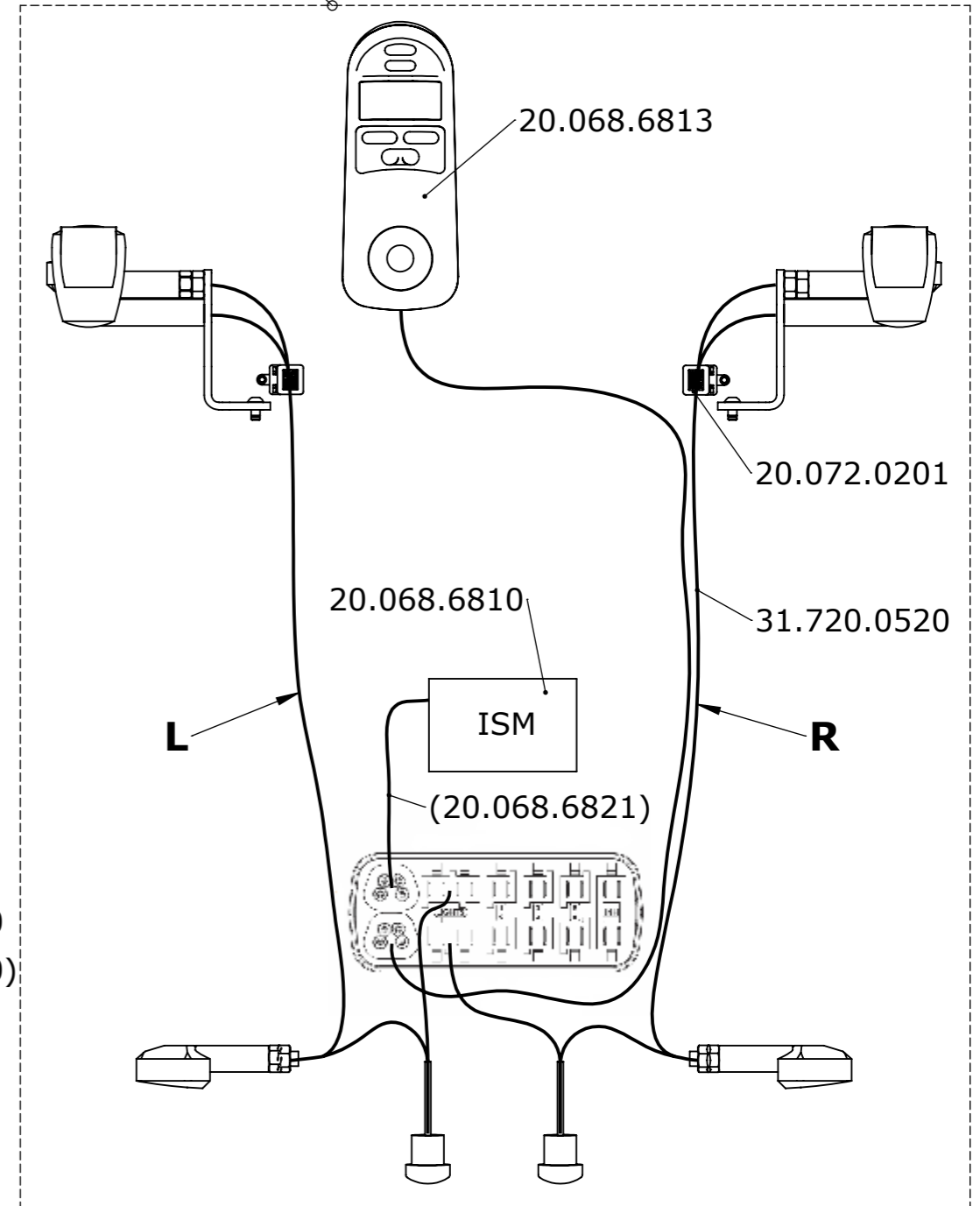
Blatt / Anz.  
Sheet / no. of  
**1 / 1**  
Index / Rev.  
**D**



Cable Routing in Design Tube  
 - left side **L**  
 - right side **R**



**32.072.0260**



|                          |                      |    |
|--------------------------|----------------------|----|
| Erstellt<br>Prepared     | 16.04.2010           | PW |
| Geändert<br>Modified     | 17.02.2015           | PW |
| Gepr./Freig.<br>Approved | 17.02.2015           | PW |
| Status                   | freigegeben/approved |    |

Benennung / Description  
**Beleuchtung R-Net 2010**  
**Lights and indicators R-Net 2010**

**LEVO**.<sup>+</sup><sub>dt</sub> LEVO AG  
 CH-5610 Wohlen  
 www.levo.ch

Rollstuhl  
 Wheelchair

**C3**

Artikelnummer  
 Art. no.

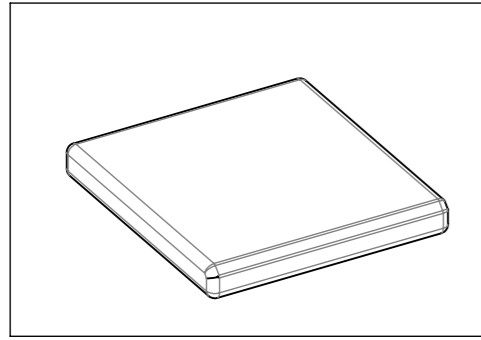
**50.072.0251**

Blatt / Anz.  
 Sheet / no. of  
**1 / 1**  
 Index / Rev.  
**D**

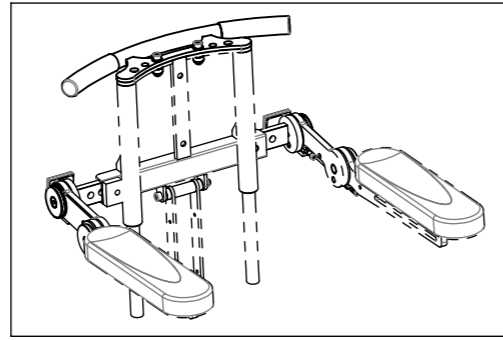
CONFIDENTIAL! All rights reserved. Reproduction and processing in any form whatever is not permitted without written authority of LEVO AG.

VERTRAULICH! Dieses Dokument ist unser geistiges Eigentum. Es darf ohne unsere ausdrückliche Genehmigung weder kopiert, vervielfältigt oder verwendet, noch an Dritte weitergegeben werden. © LEVO AG

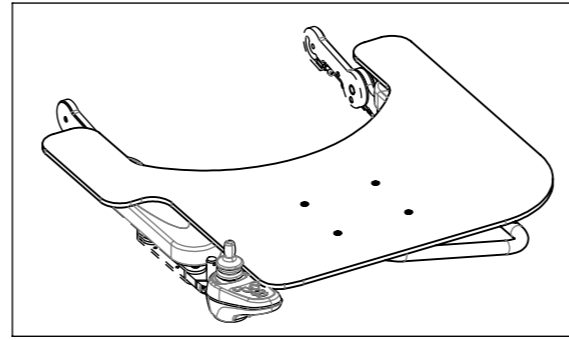
**50.072.0311**



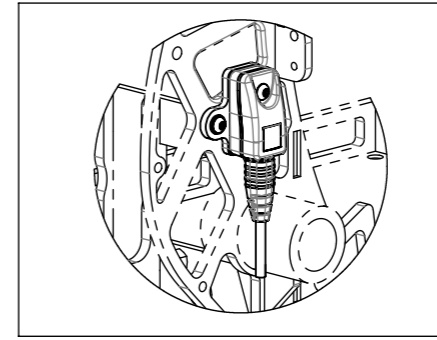
**50.072.0320**



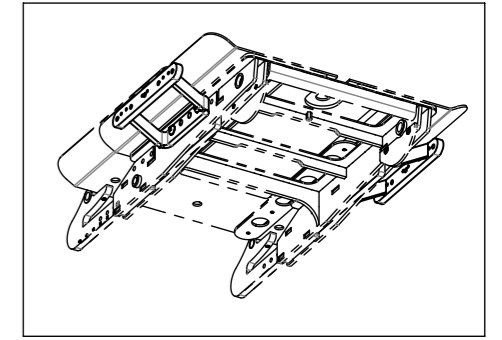
**50.072.0330**



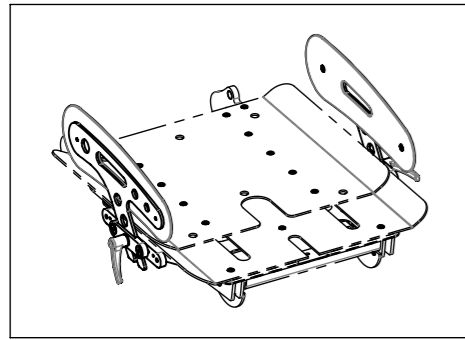
**50.072.0340**



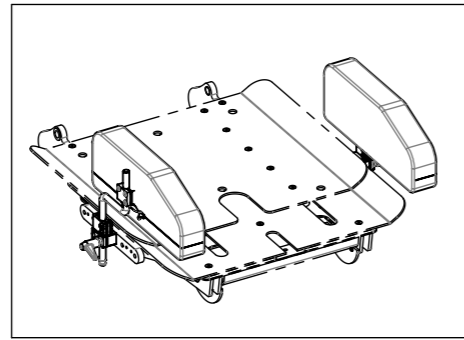
**50.072.0350**



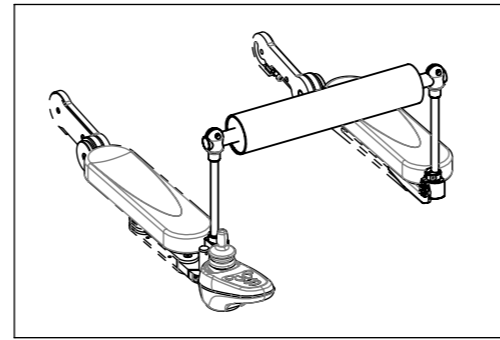
**50.072.0360**



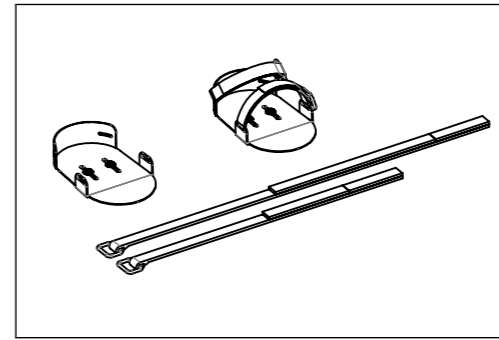
**50.072.0370**



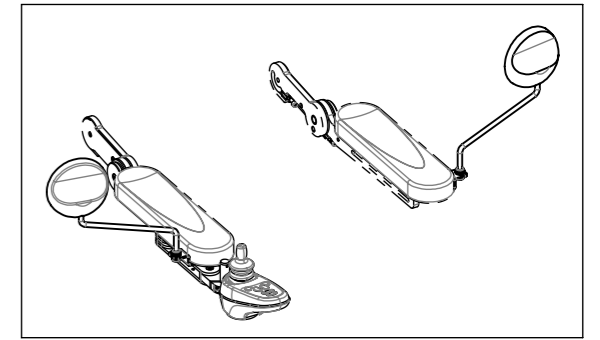
**50.072.0380**



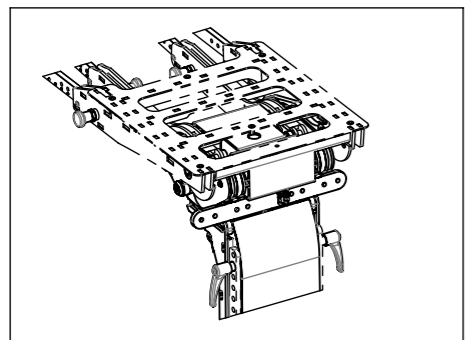
**50.072.0390**



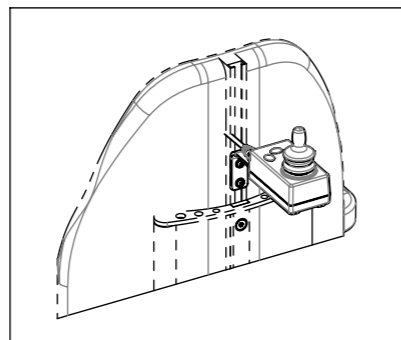
**50.072.0400**



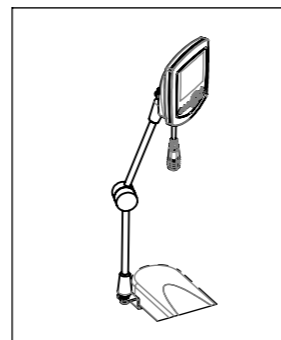
**50.072.0410**



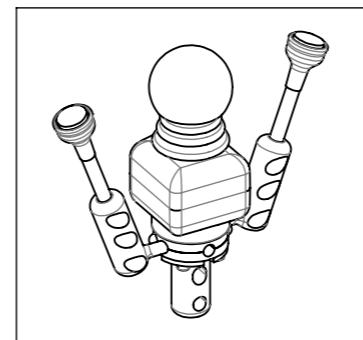
**VR2 50.072.0420  
R-Net 50.072.0430**



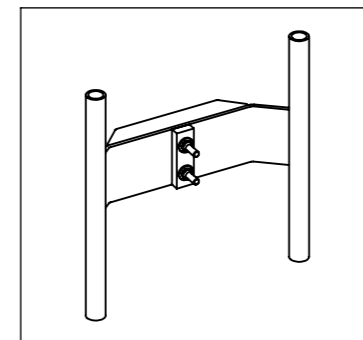
**50.072.0440  
50.072.0445**



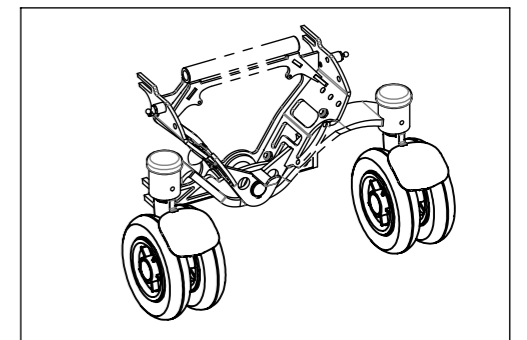
**50.072.0450**



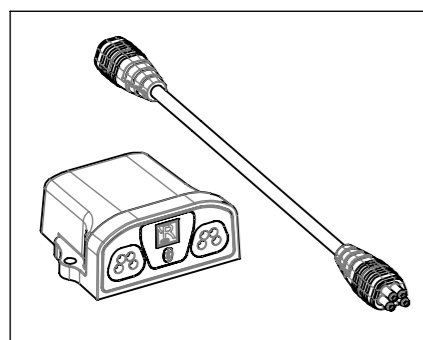
**50.072.0460**



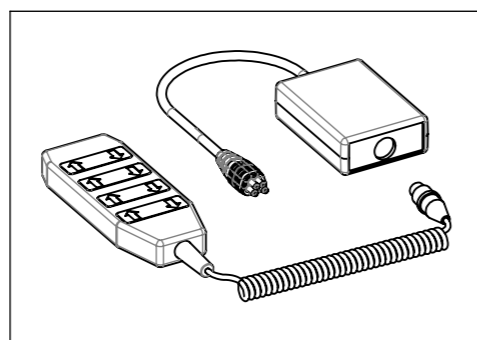
**50.072.0470**



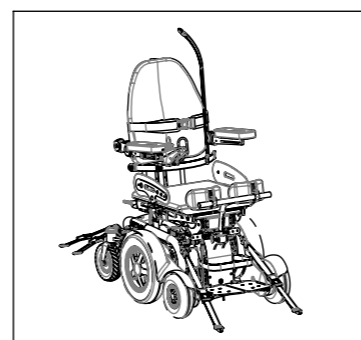
**50.072.0480**



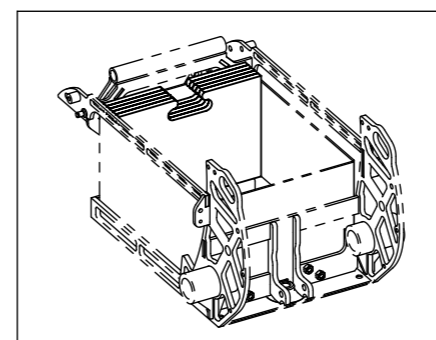
**50.072.0490**



**50.072.0500**



**50.072.0510**



|                                 |                      |    |
|---------------------------------|----------------------|----|
| Erstellt<br><i>Prepared</i>     | 24.02.2009           | PW |
| Geändert<br><i>Modified</i>     | 05.09.2013           | PW |
| Gepr./Freig.<br><i>Approved</i> | 05.09.2013           | FW |
| Status<br><i>Status</i>         | freigegeben/approved |    |

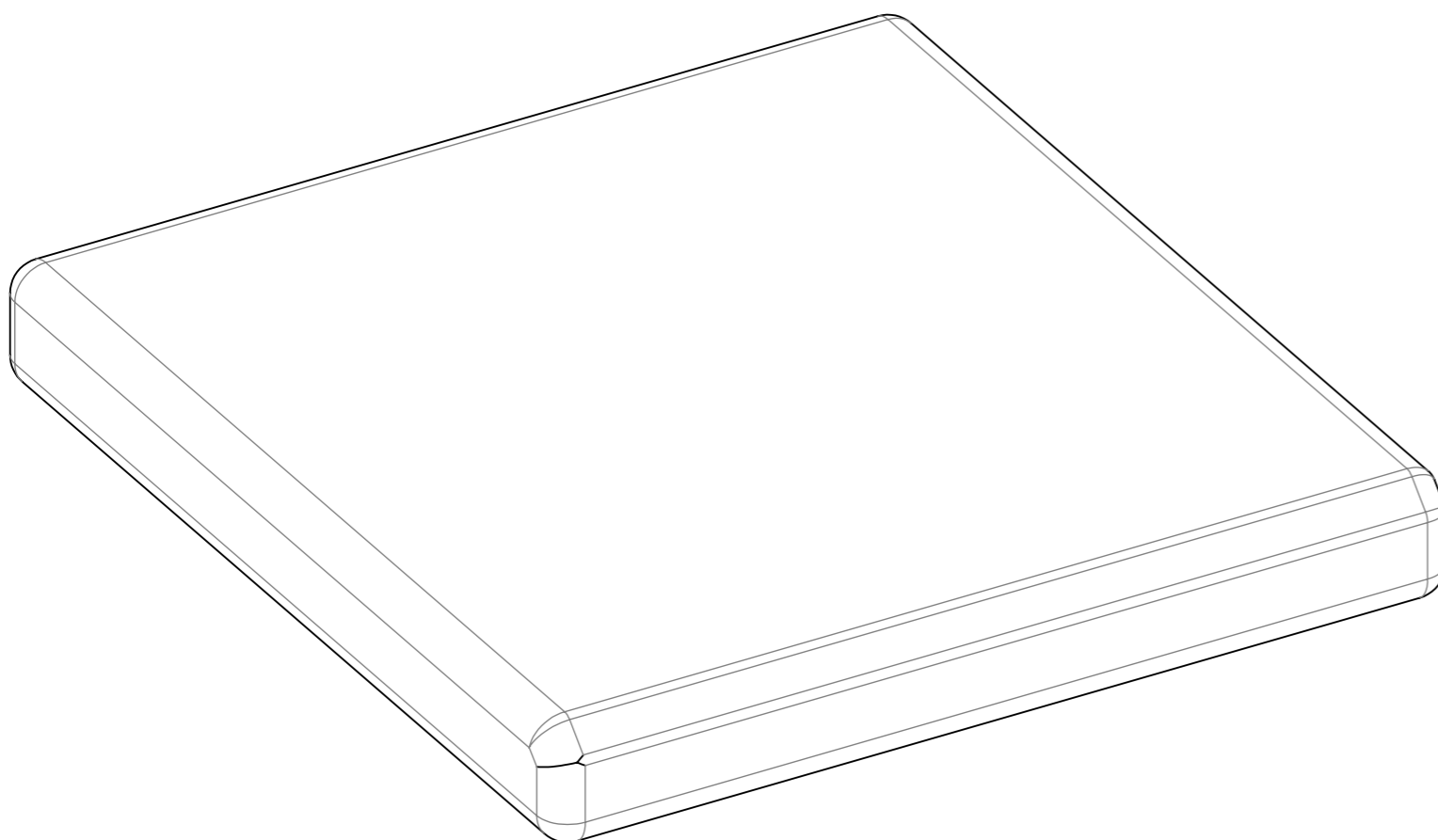
Benennung / Description  
**Zubehör ab 913001**  
**Accessories from 913001**

**LEVO**.<sup>+</sup><sub>dt</sub> LEVO AG  
CH-5610 Wohlen  
www.levo.ch  
THE EXPERTS IN STANDING

Rollstuhl  
*Wheelchair*  
**C3**

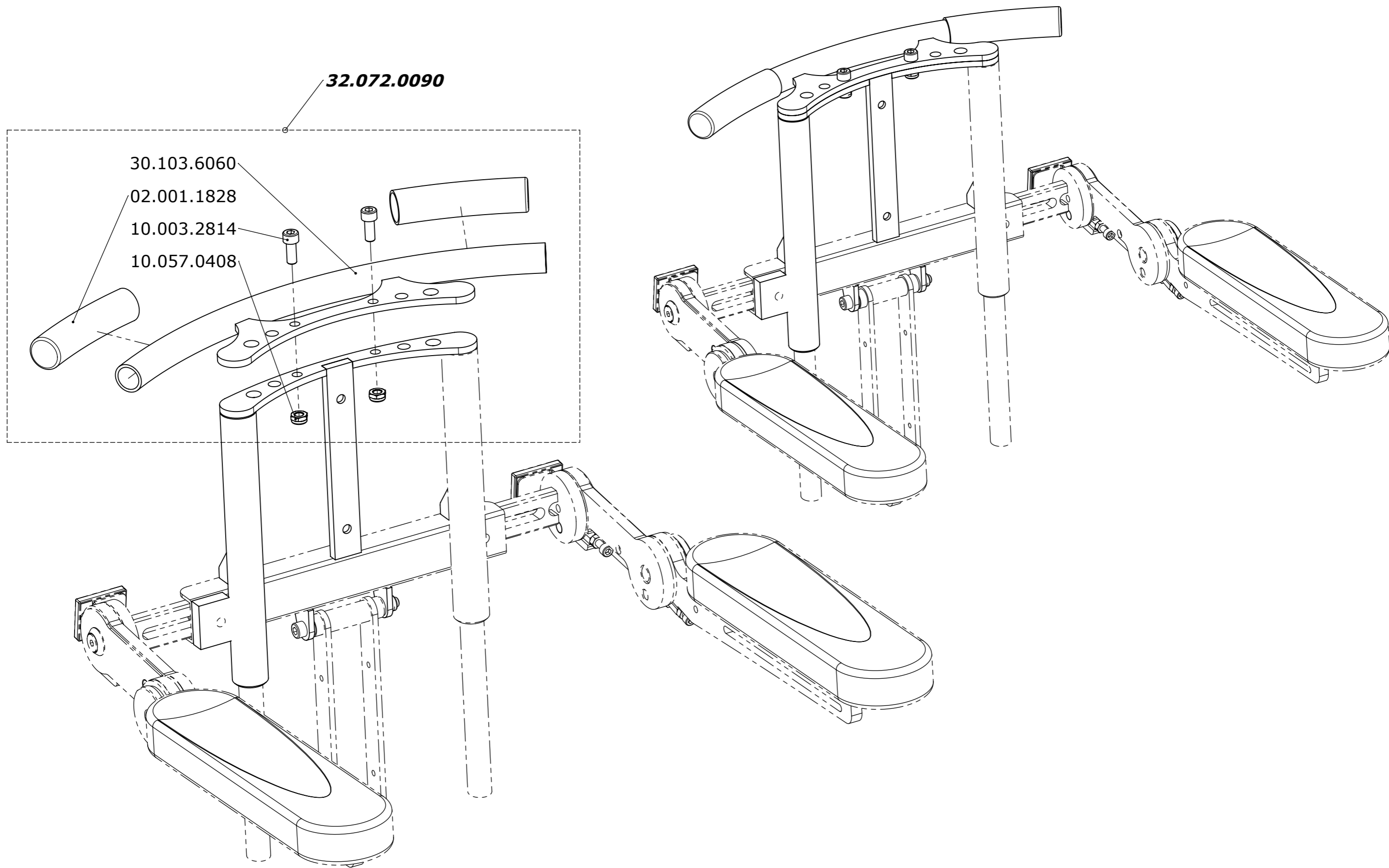
Artikelnummer  
*Art. no.*  
**50.072.0300**


Blatt / Anz.  
*Sheet / no. of*  
**1 / 2**  
Index / Rev.  
**E**



| Sitzbreite<br>Seat width | Sitztiefe<br>Seat depth | Sitzkissen<br>Seat cushion | Ersatzbezug<br>Spare cover |
|--------------------------|-------------------------|----------------------------|----------------------------|
| 32                       | 35cm 37cm 39cm          | 30.103.5531                | 30.103.6211                |
|                          | 41cm 43cm 45cm          | 30.903.5532                |                            |
|                          | 47cm 49cm 51cm          | 30.903.5533                |                            |
| 36                       | 35cm 37cm 39cm          | 30.103.5532                | 30.103.6212                |
|                          | 41cm 43cm 45cm          | 30.103.5533                | 30.103.6213                |
|                          | 47cm 49cm 51cm          | 30.103.5535                | 30.103.6215                |
|                          | 53cm 55cm 57cm          | 30.903.5534                |                            |
| 40                       | 35cm 37cm 39cm          | 30.903.5535                |                            |
|                          | 41cm 43cm 45cm          | 30.103.5534                | 30.103.6214                |
|                          | 47cm 49cm 51cm          | 30.103.5536                | 30.103.6216                |
|                          | 53cm 55cm 57cm          | 30.103.5537                | 30.103.6217                |
|                          | 59cm 61cm 63cm          | 30.103.5538                | 30.103.6218                |
| 44                       | 35cm 37cm 39cm          | 30.903.5531                | 30.103.6220                |
|                          | 41cm 43cm 45cm          | 30.103.5539                | 30.103.6219                |
|                          | 47cm 49cm 51cm          | 30.103.5541                | 30.103.6221                |
|                          | 53cm 55cm 57cm          | 30.103.5543                | 30.103.6223                |
|                          | 59cm 61cm 63cm          | 30.103.5546                | 30.103.6226                |
| 48                       | 35cm 37cm 39cm          | 30.903.5538                |                            |
|                          | 41cm 43cm 45cm          | 30.903.5536                |                            |
|                          | 47cm 49cm 51cm          | 30.103.5542                | 30.103.6222                |
|                          | 53cm 55cm 57cm          | 30.103.5544                | 30.103.6224                |
|                          | 59cm 61cm 63cm          | 30.103.5547                | 30.103.6227                |
| 52                       | 41cm 43cm 45cm          | 30.903.5537                | 30.103.6230                |
|                          | 47cm 49cm 51cm          | 30.103.5549                |                            |
|                          | 53cm 55cm 57cm          | 30.103.5545                | 30.103.6225                |
|                          | 59cm 61cm 63cm          | 30.103.5548                | 30.103.6228                |

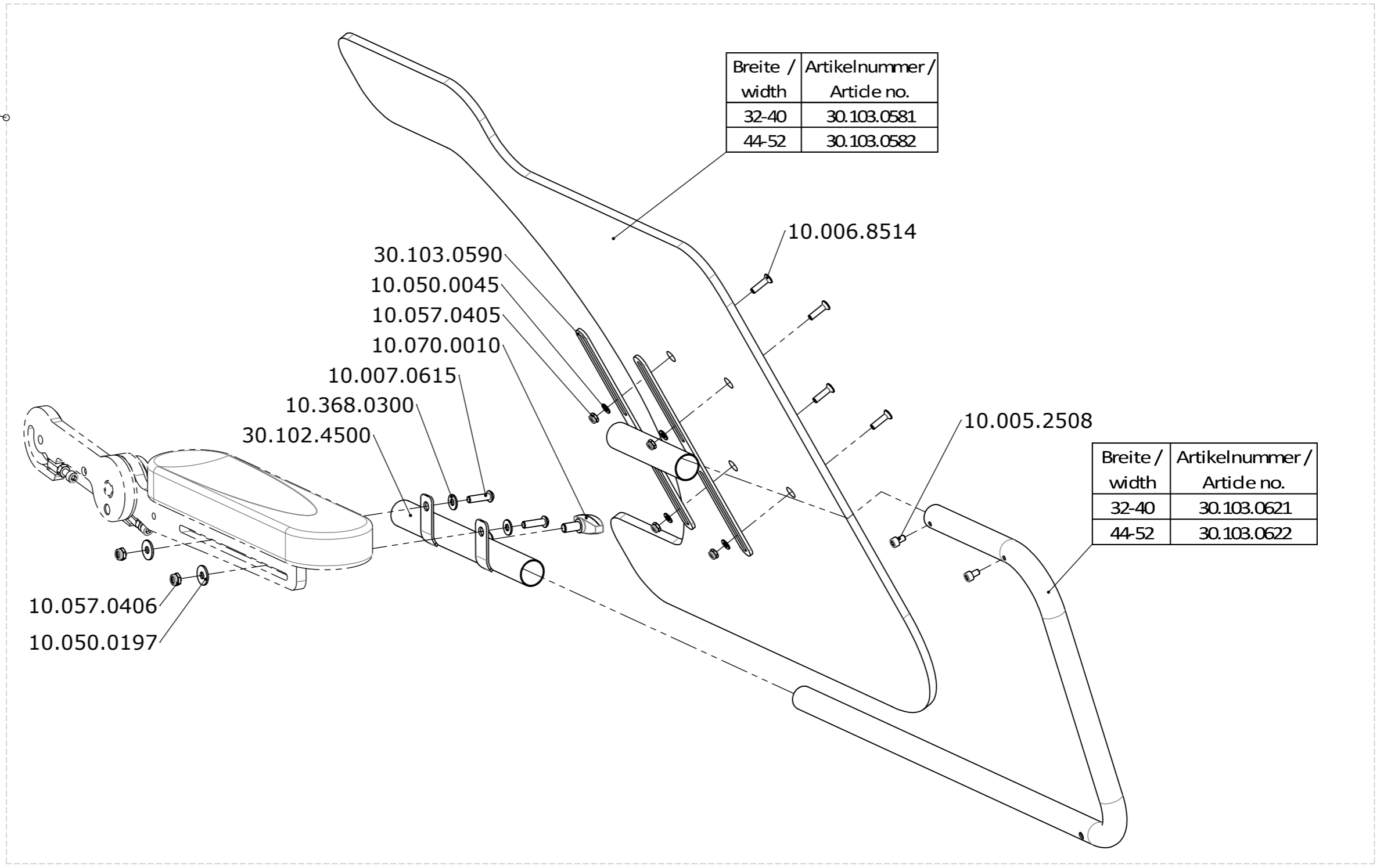
|   |            |    |   |  |
|---|------------|----|---|--|
| Erstellt<br><i>Prepared</i>   | 21.09.2010 | PW | Benennung / Description<br><b>Sitzkissen 2010</b><br><b>Seat cushion 2010</b> | Blatt / Anz.<br>Sheet / no. of<br><b>1 / 1</b> |
| Geändert<br><i>Modified</i>   | 14.12.2011 | FW |   |  |
| Gepr./Freig.<br><i>Approved</i>   | 14.12.2011 | BM |   |  |
| Status<br><i>Status</i>   |            |    | Rollstuhl<br><i>Wheelchair</i>  | Artikelnummer<br><i>Art. no.</i>               |
|  <b>LEVO AG</b><br>CH-5610 Wohlen<br>www.levo.ch |            |    | <b>C3</b>   | <b>50.072.0311</b>                             |
|   |            |    |   | Index / Rev.<br><b>B</b>                       |



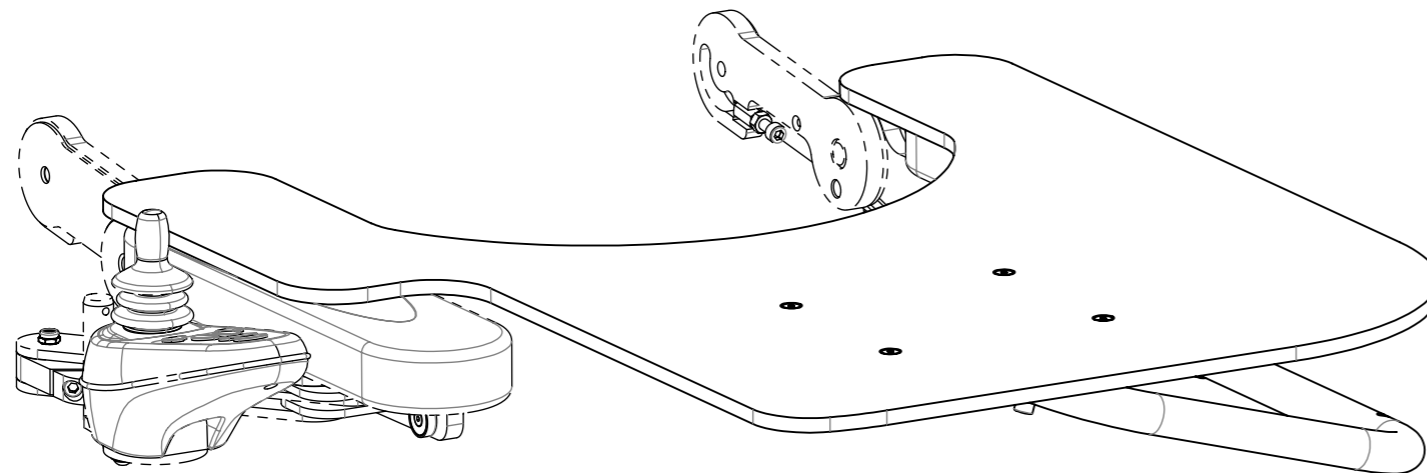
|   |            |    |   |   |
|---|------------|----|---|---|
| Erstellt<br><i>Prepared</i>   | 10.11.2008 | PW | Benennung / Description                       |   |
| Geändert<br><i>Modified</i>   |            | -  | <b>Schiebebügel</b><br><b>Stroller handle</b> |   |
| Gepr./Freig.<br><i>Approved</i>   | 01.04.2009 | TN |   |   |
| Status  |            |    |   |   |
|  <b>LEVO AG</b><br>CH-5610 Wohlen<br>www.levo.ch |            |    | Rollstuhl<br><i>Wheelchair</i>                | Artikelnummer<br><i>Art. no.</i><br><b>50.072.0320</b>                |
|   |            |    | <b>C3</b>                                     | Blatt / Anz.<br><i>Sheet / no. of</i><br><b>1 / 1</b><br>Index / Rev. |

| Set            |                             |
|----------------|-----------------------------|
| Breite / width | Artikelnummer / Article no. |
| 32-40          | 32.072.0011                 |
| 44-52          | 32.072.0012                 |

| Breite / width | Artikelnummer / Article no. |
|----------------|-----------------------------|
| 32-40          | 30.103.0581                 |
| 44-52          | 30.103.0582                 |



| Breite / width | Artikelnummer / Article no. |
|----------------|-----------------------------|
| 32-40          | 30.103.0621                 |
| 44-52          | 30.103.0622                 |



|                           |                      |    |
|---------------------------|----------------------|----|
| Erstellt / Prepared       | 10.11.2008           | PW |
| Geändert / Modified       | 05.03.2015           | PW |
| Gepr. / Freig. / Approved | 05.03.2015           | FW |
| Status                    | freigegeben/approved |    |

| Benennung / Description   |  |
|---------------------------|--|
| Anstecktisch abschwenkbar |  |
| Swing away table tray     |  |

**LEVO**.<sup>dt</sup> LEVO AG  
 CH-5610 Wohlen  
 www.levo.ch  
 THE EXPERTS IN STANDING

Rollstuhl  
 Wheelchair

C3

Artikelnummer  
 Art. no.

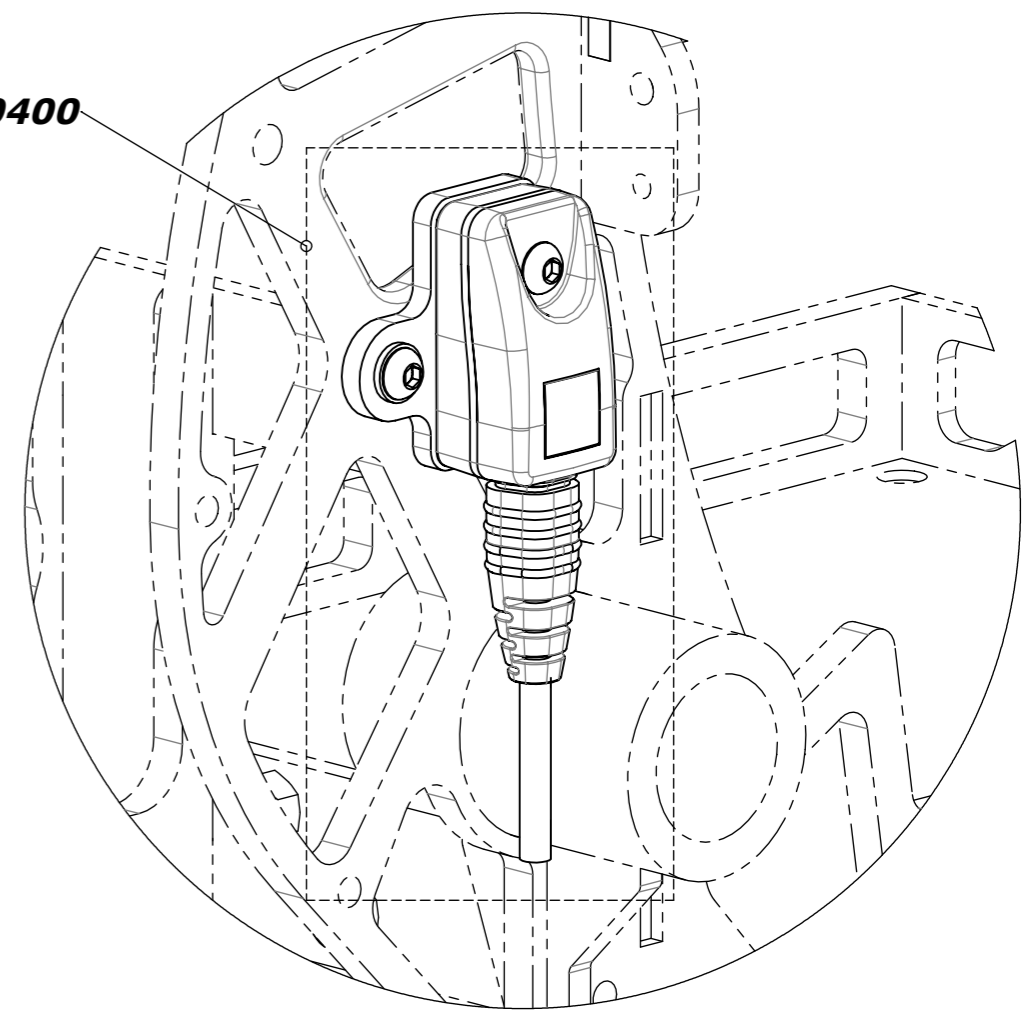
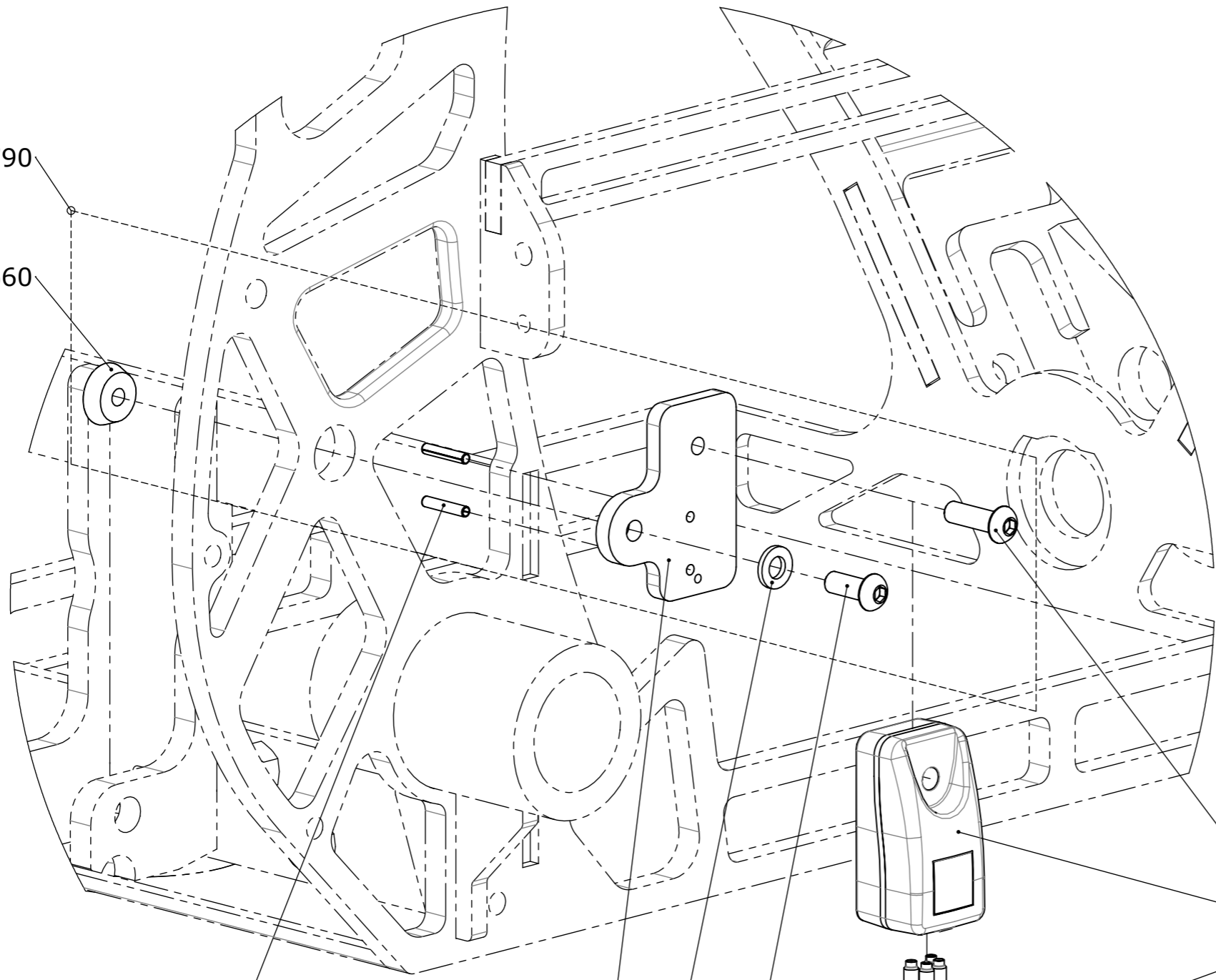
50.072.0330

Blatt / Anz.  
 Sheet / no. of  
 1 / 1  
 Index / Rev.  
 D

31.720.0790

30.103.9660

32.072.0400



10.029.8312

30.103.9650

10.050.0046

10.007.8612

10.007.8614

20.068.6833

20.068.6821

|                                 |                      |    |
|---------------------------------|----------------------|----|
| Erstellt<br><i>Prepared</i>     | 03.06.2015           | PW |
| Geändert<br><i>Modified</i>     |                      | -  |
| Gepr./Freig.<br><i>Approved</i> | 03.06.2015           | HB |
| Status<br><i>Status</i>         | freigegeben/approved |    |

|                                       |  |
|---------------------------------------|--|
| Benennung / Description               |  |
| <b>Gyro</b>                           |  |
| <b>Electrical Stabilization R-Net</b> |  |

**LEVO**.<sup>dt</sup> LEVO AG  
 CH-5610 Wohlen  
 www.levo.ch  
 THE EXPERTS IN STANDING

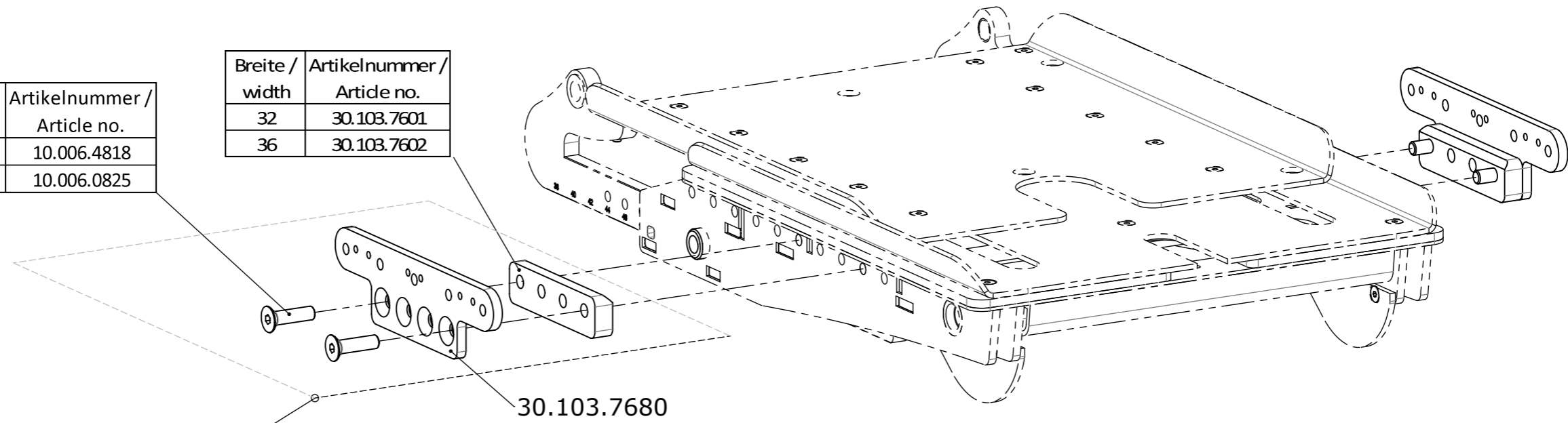
Rollstuhl  
*Wheelchair*  
**C3**

Artikelnummer  
*Art. no.*  
**50.072.0340**

Blatt / Anz.  
*Sheet / no. of*  
**1 / 1**  
Index / Rev.  
-

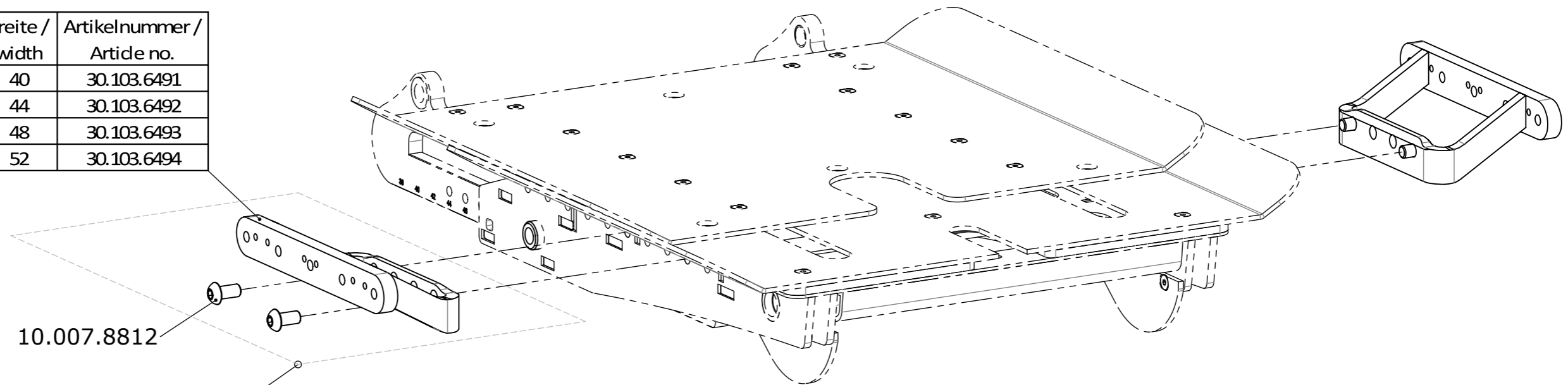
| Breite / width | Artikelnummer / Article no. |
|----------------|-----------------------------|
| 32             | 10.006.4818                 |
| 36             | 10.006.0825                 |

| Breite / width | Artikelnummer / Article no. |
|----------------|-----------------------------|
| 32             | 30.103.7601                 |
| 36             | 30.103.7602                 |



| <b>Halterung für Kleiderschutz und Oberschenkelsupport / Holder for skirt guard and upper leg support</b> |                             |
|---|-----------------------------|
| Breite / width  | Artikelnummer / Article no. |
| 32  | 32.072.0151                 |
| 36  | 32.072.0152                 |

| Breite / width | Artikelnummer / Article no. |
|----------------|-----------------------------|
| 40             | 30.103.6491                 |
| 44             | 30.103.6492                 |
| 48             | 30.103.6493                 |
| 52             | 30.103.6494                 |



| <b>Halterung für Kleiderschutz und Oberschenkelsupport / Holder for skirt guard and upper leg support</b> |                             |
|---|-----------------------------|
| Breite / width  | Artikelnummer / Article no. |
| 40  | 32.072.0153                 |
| 44  | 32.072.0154                 |
| 48  | 32.072.0155                 |
| 52  | 32.072.0156                 |

|                         |                      |    |
|-------------------------|----------------------|----|
| Erstellt / Prepared     | 06.11.2008           | PW |
| Geändert / Modified     | 21.05.2013           | PW |
| Gepr./Freig. / Approved | 21.05.2013           | FW |
| Status / Status         | freigegeben/approved |    |

Benennung / Description  
**Halterung für Kleiderschutz und Oberschenkelsupport**  
 Holder for skirt guard and upper leg support

**LEVO**.<sup>+</sup><sub>dt</sub> LEVO AG  
 CH-5610 Wohlen  
 www.levo.ch  
 THE EXPERTS IN STANDING

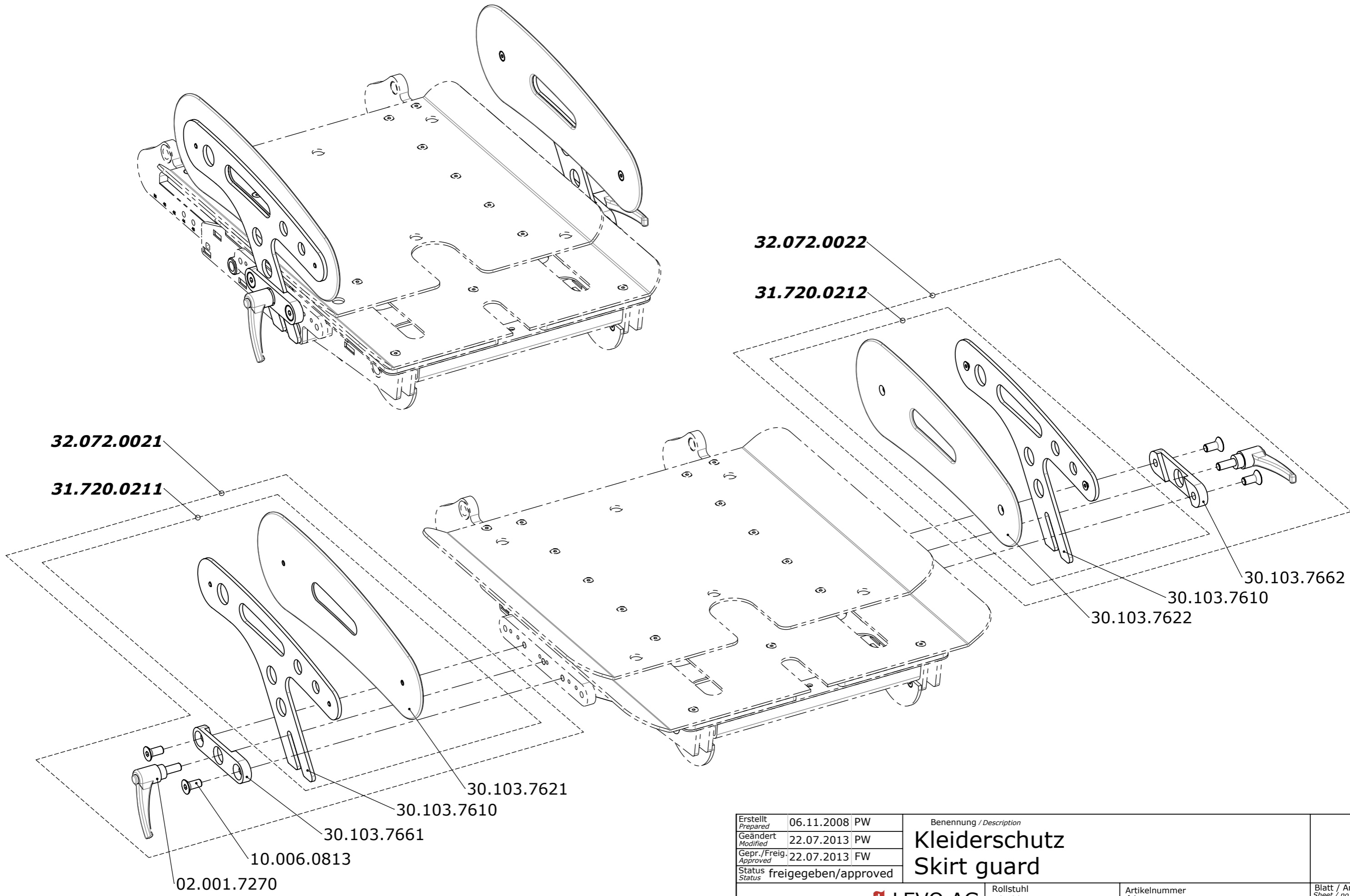
Rollstuhl  
 Wheelchair

**C3**

Artikelnummer  
 Art. no.

**50.072.0350**

Blatt / Anz.  
 Sheet / no. of  
**1 / 1**  
 Index / Rev.  
**B**



|                                 |                      |    |
|---------------------------------|----------------------|----|
| Erstellt<br><i>Prepared</i>     | 06.11.2008           | PW |
| Geändert<br><i>Modified</i>     | 22.07.2013           | PW |
| Gepr./Freig.<br><i>Approved</i> | 22.07.2013           | FW |
| Status<br><i>Status</i>         | freigegeben/approved |    |

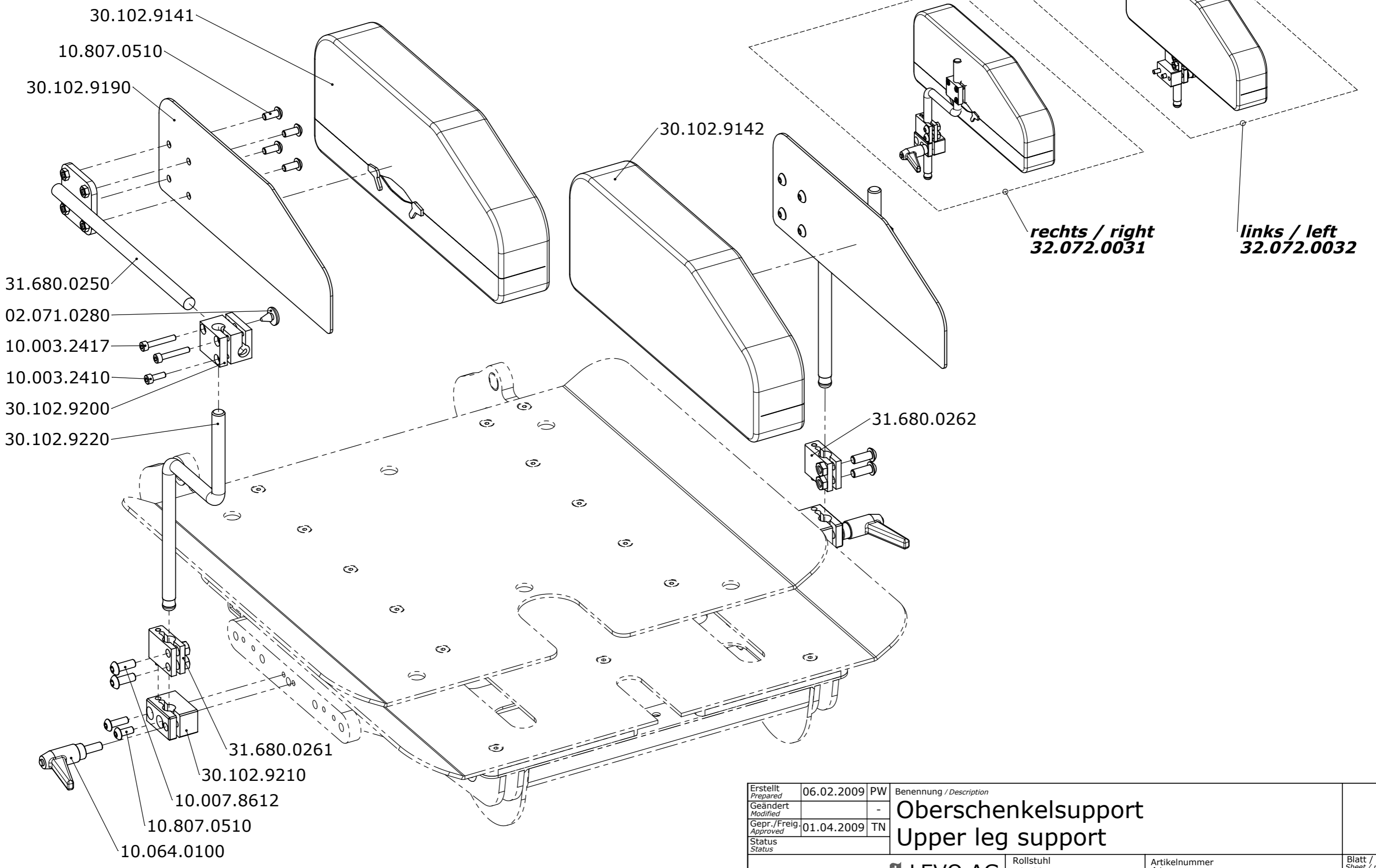
|                         |  |
|-------------------------|--|
| Benennung / Description |  |
| <b>Kleiderschutz</b>    |  |
| <b>Skirt guard</b>      |  |

**LEVO**.<sup>+</sup> LEVO AG  
 CH-5610 Wohlen  
 www.levo.ch  
 THE EXPERTS IN STANDING

Rollstuhl  
*Wheelchair*  
**C3**

Artikelnummer  
*Art. no.*  
**50.072.0360**

Blatt / Anz.  
*Sheet / no. of*  
**1 / 1**  
 Index / Rev.  
**B**

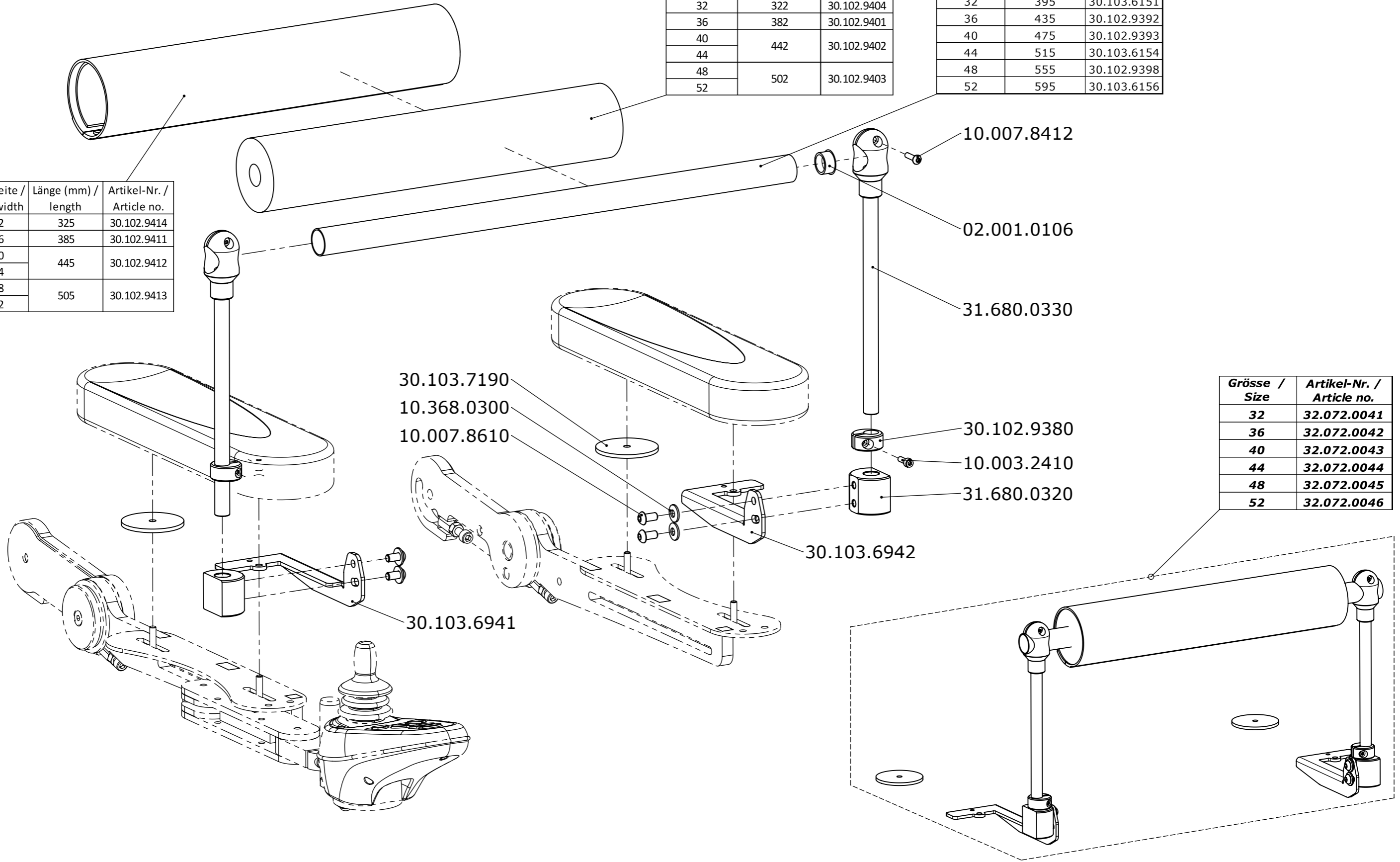


|   |            |    |  |   |
|---|------------|----|--|---|
| Erstellt<br><i>Prepared</i>   | 06.02.2009 | PW | Benennung / <i>Description</i>                   |   |
| Geändert<br><i>Modified</i>   |            | -  | <b>Oberschenkelsupport<br/>Upper leg support</b> |   |
| Gepr./Freig.<br><i>Approved</i>                                     | 01.04.2009 | TN |  |   |
| Status<br><i>Status</i>   |            |    |  |   |
| LEVO AG<br>THE EXPERTS IN STANDING<br>CH-5610 Wohlen<br>www.levo.ch |            |    | Rollstuhl<br><i>Wheelchair</i><br><b>C3</b>      | Artikelnummer<br><i>Art. no.</i><br><b>50.072.0370</b>                            |
|   |            |    |  | Blatt / Anz.<br><i>Sheet / no. of</i><br><b>1 / 1</b><br>Index / Rev.<br><b>A</b> |

| Sitzbreite / seat width | Länge (mm) / length | Artikel-Nr. / Article no. |
|-------------------------|---------------------|---------------------------|
| 32                      | 325                 | 30.102.9414               |
| 36                      | 385                 | 30.102.9411               |
| 40                      | 445                 | 30.102.9412               |
| 44                      |                     |                           |
| 48                      | 505                 | 30.102.9413               |
| 52                      |                     |                           |

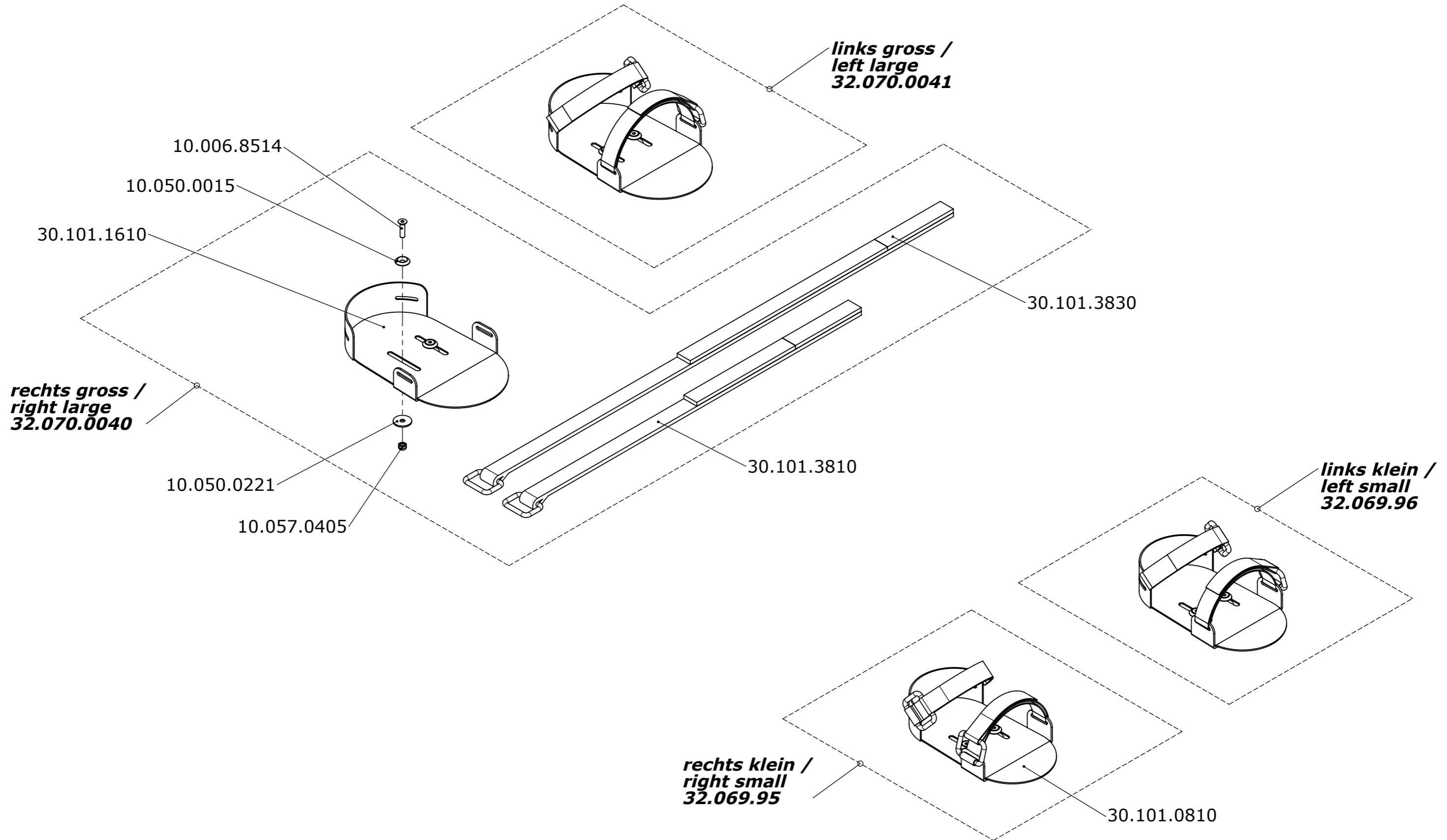
| Sitzbreite / seat width | Länge (mm) / length | Artikel-Nr. / Article no. |
|-------------------------|---------------------|---------------------------|
| 32                      | 322                 | 30.102.9404               |
| 36                      | 382                 | 30.102.9401               |
| 40                      | 442                 | 30.102.9402               |
| 44                      |                     |                           |
| 48                      | 502                 | 30.102.9403               |
| 52                      |                     |                           |


| Sitzbreite / seat width | Länge (mm) / length | Artikel-Nr. / Article no. |
|-------------------------|---------------------|---------------------------|
| 32                      | 395                 | 30.103.6151               |
| 36                      | 435                 | 30.102.9392               |
| 40                      | 475                 | 30.102.9393               |
| 44                      | 515                 | 30.103.6154               |
| 48                      | 555                 | 30.102.9398               |
| 52                      | 595                 | 30.103.6156               |

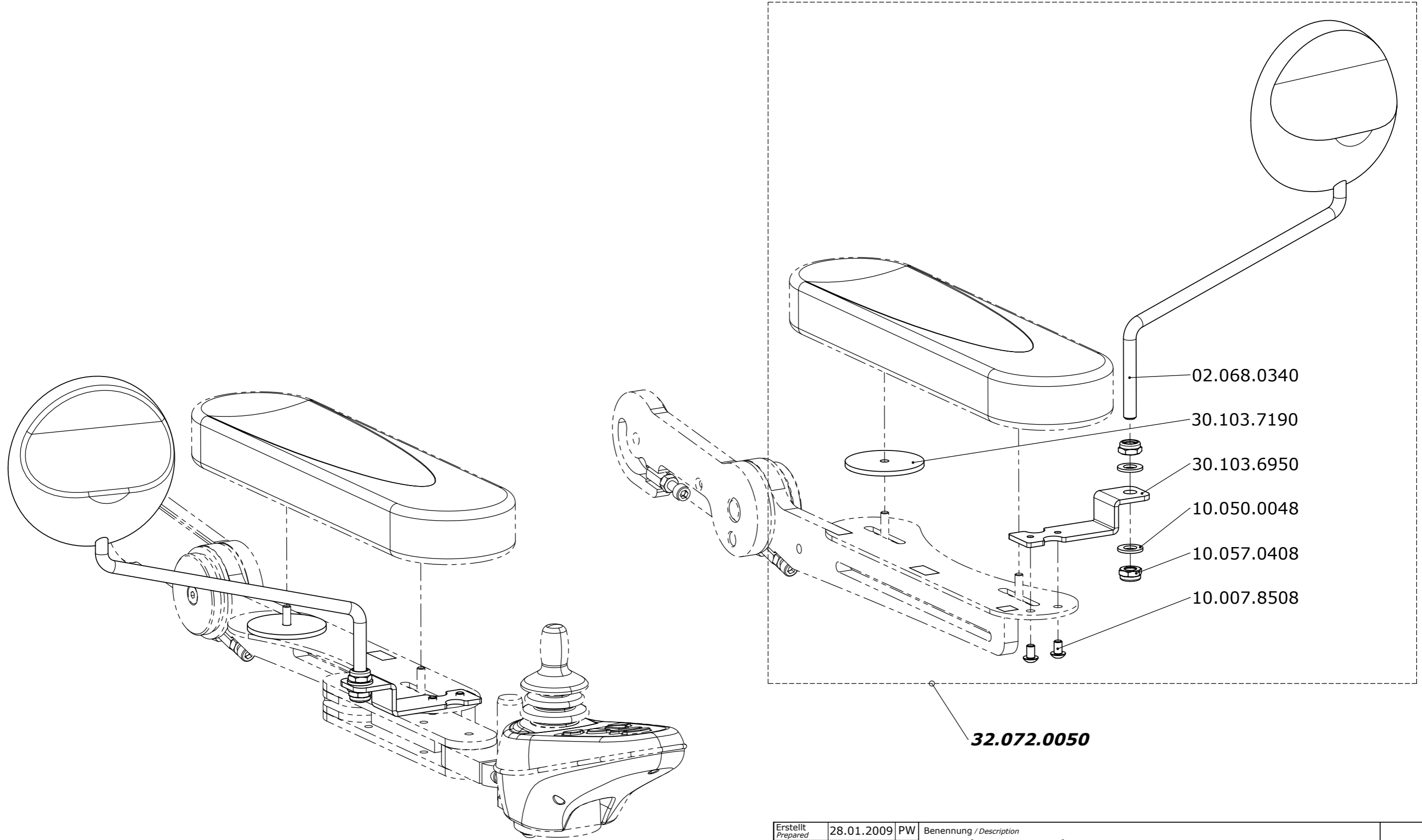



| Grösse / Size | Artikel-Nr. / Article no. |
|---------------|---------------------------|
| 32            | 32.072.0041               |
| 36            | 32.072.0042               |
| 40            | 32.072.0043               |
| 44            | 32.072.0044               |
| 48            | 32.072.0045               |
| 52            | 32.072.0046               |

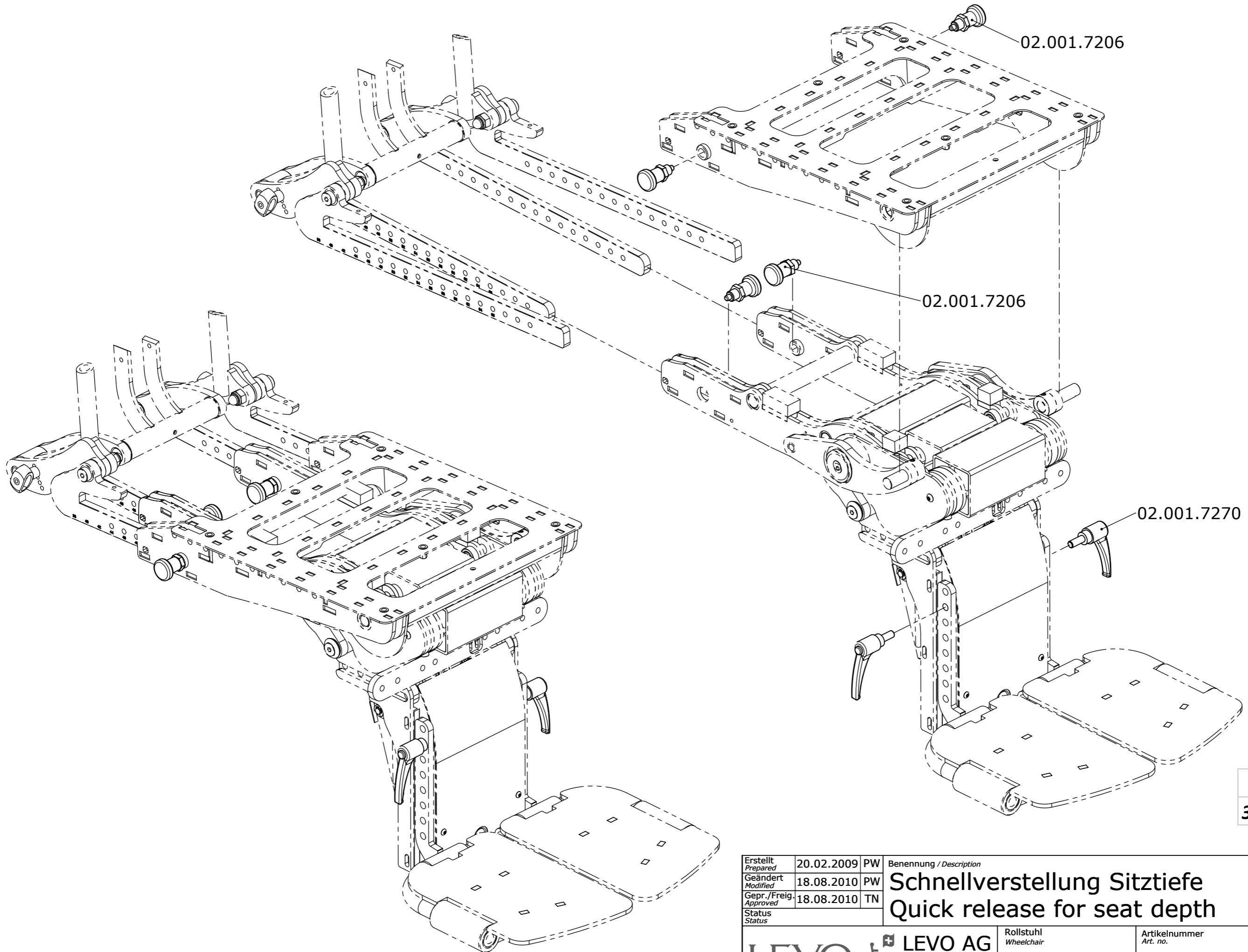
|  |            |    |                          |                               |
|--|------------|----|--------------------------|-------------------------------|
| Erstellt / Prepared                      | 28.01.2009 | PW | Benennung / Description  |                               |
| Geändert / Modified                      |            | -  | <b>Brustrolle</b>        |                               |
| Gepr. / Freig. / Approved                | 01.04.2009 | TN | <b>Chest role</b>        |                               |
| Status                                   |            |    |                          |                               |
| LEVO AG<br>CH-5610 Wohlen<br>www.levo.ch |            |    | Rollstuhl / Wheelchair   | Blatt / Anz. / Sheet / no. of |
|  |            |    | C3                       | 1 / 1                         |
|  |            |    | Artikelnummer / Art. no. | Index / Rev.                  |
|  |            |    | 50.072.0380              |                               |




|   |            |    |   |   |
|---|------------|----|---|---|
| Erstellt<br><i>Prepared</i>   | 12.02.2009 | PW | Benennung / <i>Description</i>              |   |
| Geändert<br><i>Modified</i>   |            | -  | Fussführung<br>Foot guide                   |   |
| Gepr. / Freig.<br><i>Approved</i>   | 01.04.2009 | TN |   |   |
| Status<br><i>Status</i>   |            |    |   |   |
|  <b>LEVO AG</b><br>CH-5610 Wohlen<br>www.levo.ch |            |    | Rollstuhl<br><i>Wheelchair</i><br><b>C3</b> | Artikelnummer<br><i>Art. no.</i><br><b>50.072.0390</b>                |
|   |            |    |   | Blatt / Anz.<br><i>Sheet / no. of</i><br><b>1 / 1</b><br>Index / Rev. |

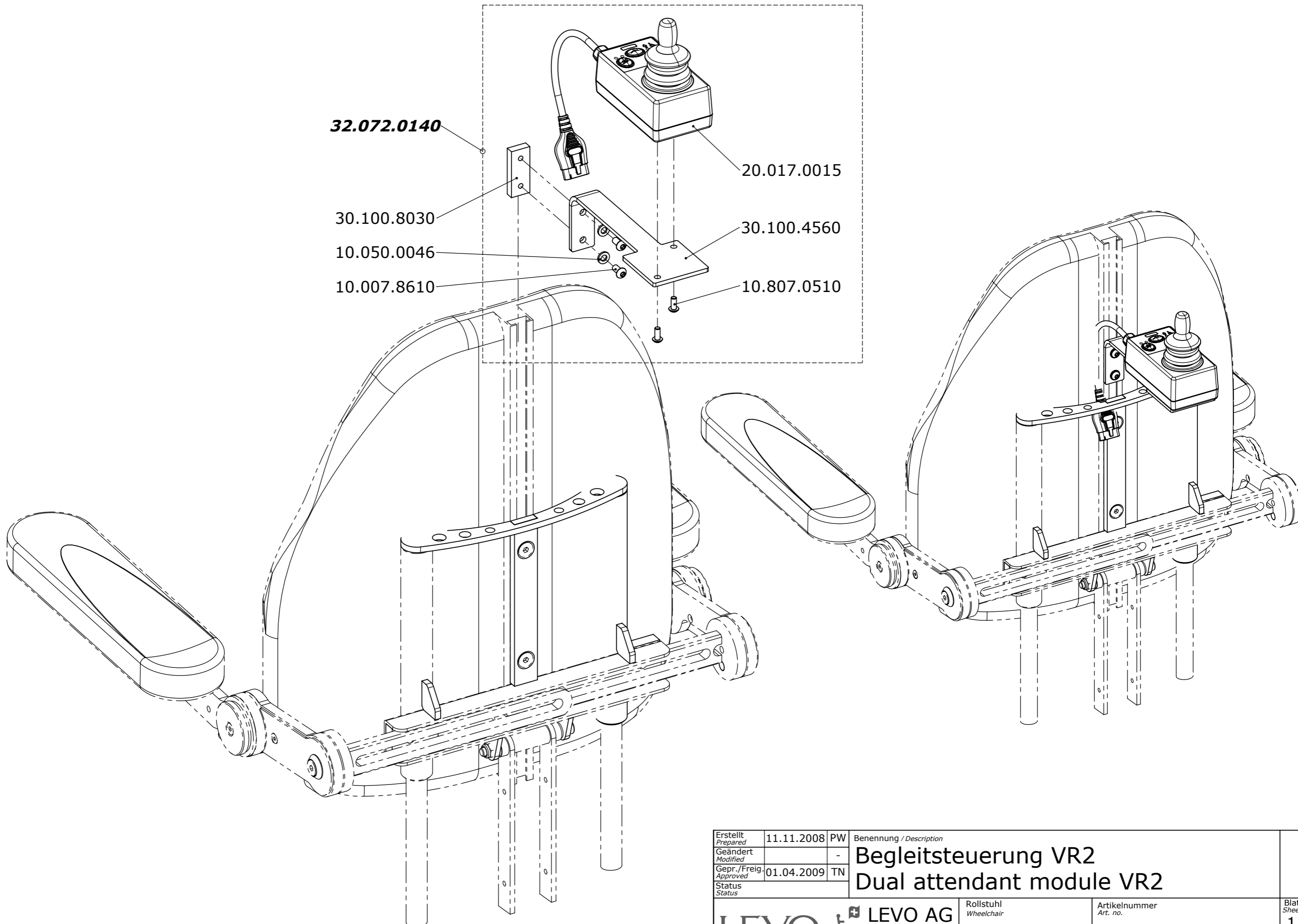



|   |            |    |                                      |  |
|---|------------|----|--------------------------------------|--|
| Erstellt<br><i>Prepared</i>   | 28.01.2009 | PW | Benennung / <i>Description</i>       |  |
| Geändert<br><i>Modified</i>   |            | -  | Rückspiegel<br>Rear view mirror      |  |
| Gepr. / Freig.<br><i>Approved</i>   | 01.04.2009 | TN |                                      |  |
| Status<br><i>Status</i>   |            |    |                                      |  |
|  LEVO AG<br>THE EXPERTS IN STANDING<br>CH-5610 Wohlen<br>www.levo.ch |            |    | Rollstuhl<br><i>Wheelchair</i><br>C3 | Artikelnummer<br><i>Art. no.</i><br>50.072.0400                |
|   |            |    |                                      | Blatt / Anz.<br><i>Sheet / no. of</i><br>1 / 1<br>Index / Rev. |



**Set**  
**32.072.0270**

|   |            |    |  |  |   |
|---|------------|----|--|--|---|
| Erstellt<br><i>Prepared</i>   | 20.02.2009 | PW | Benennung / Description  |  |   |
| Geändert<br><i>Modified</i>   | 18.08.2010 | PW | <b>Schnellverstellung Sitztiefe</b><br><b>Quick release for seat depth</b> |  |   |
| Gepr./Freig.<br><i>Approved</i>   | 18.08.2010 | TN |  |  |   |
| Status  |            |    |  |  |   |
|  <b>LEVO AG</b><br>CH-5610 Wohlen<br>www.levo.ch |            |    | Rollstuhl<br><i>Wheelchair</i><br><b>C3</b>                                | Artikelnummer<br><i>Art. no.</i><br><b>50.072.0410</b> | Blatt / Anz.<br><i>Sheet / no. of</i><br><b>1 / 1</b><br>Index / Rev.<br><b>A</b> |



|   |            |    |   |   |
|---|------------|----|---|---|
| Erstellt<br><i>Prepared</i>   | 11.11.2008 | PW | Benennung / Description   |   |
| Geändert<br><i>Modified</i>   |            | -  | <b>Begleitsteuerung VR2</b><br><b>Dual attendant module VR2</b> |   |
| Gepr./Freig.<br><i>Approved</i>   | 01.04.2009 | TN |   |   |
| Status  |            |    |   |   |
|  <b>LEVO AG</b><br>CH-5610 Wohlen<br>www.levo.ch |            |    | Rollstuhl<br><i>Wheelchair</i>                                  | Artikelnummer<br><i>Art. no.</i>                                      |
|   |            |    | <b>C3</b>   | <b>50.072.0420</b>  |
|   |            |    |   | Blatt / Anz.<br><i>Sheet / no. of</i><br><b>1 / 1</b><br>Index / Rev. |

**32.072.0420**

30.103.6370

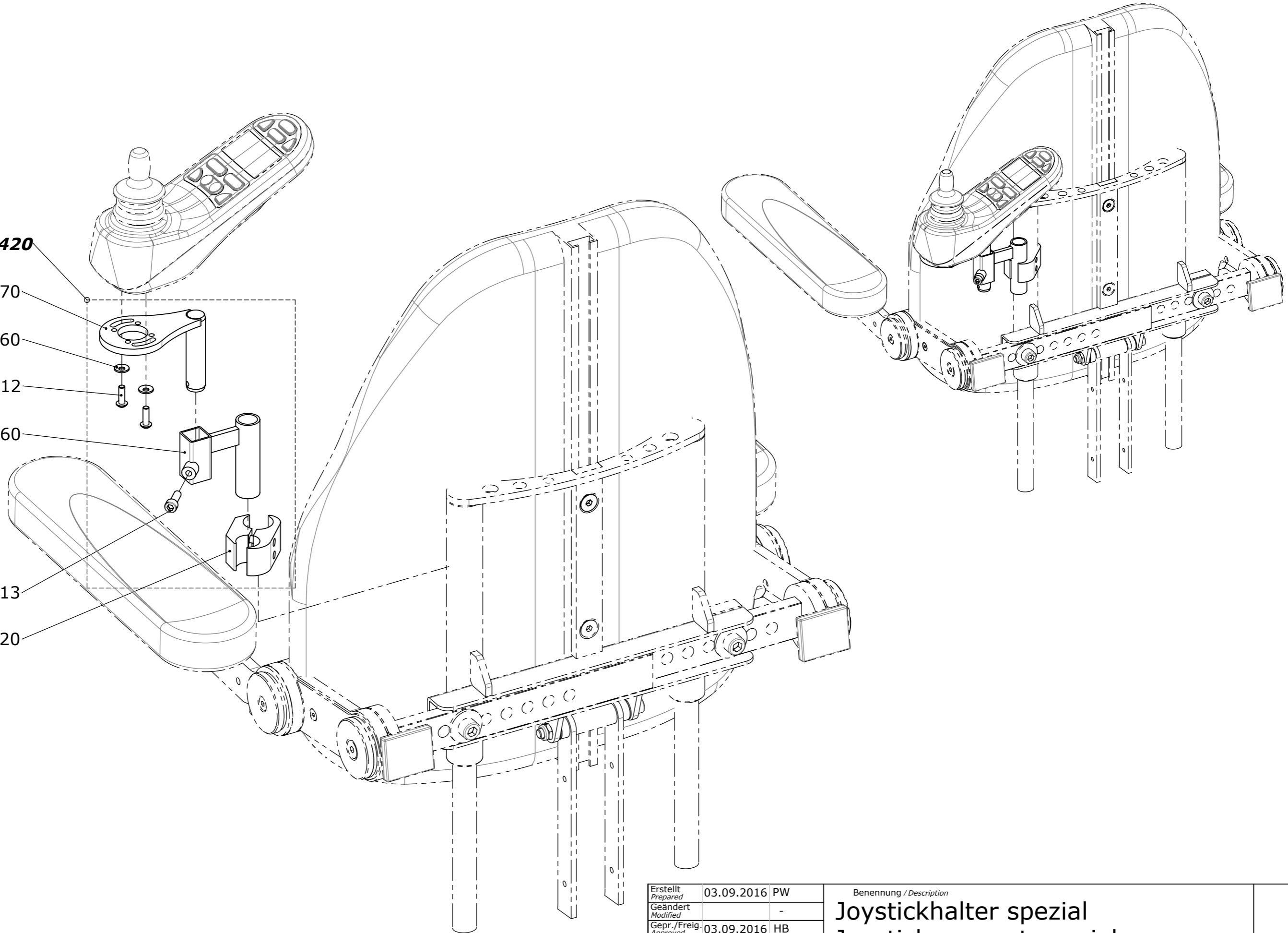
10.072.0960

10.007.0512

30.103.1960

10.004.6613

02.001.0220



|                                 |                      |    |
|---------------------------------|----------------------|----|
| Erstellt<br><i>Prepared</i>     | 03.09.2016           | PW |
| Geändert<br><i>Modified</i>     |                      | -  |
| Gepr./Freig.<br><i>Approved</i> | 03.09.2016           | HB |
| Status<br><i>Status</i>         | freigegeben/approved |    |

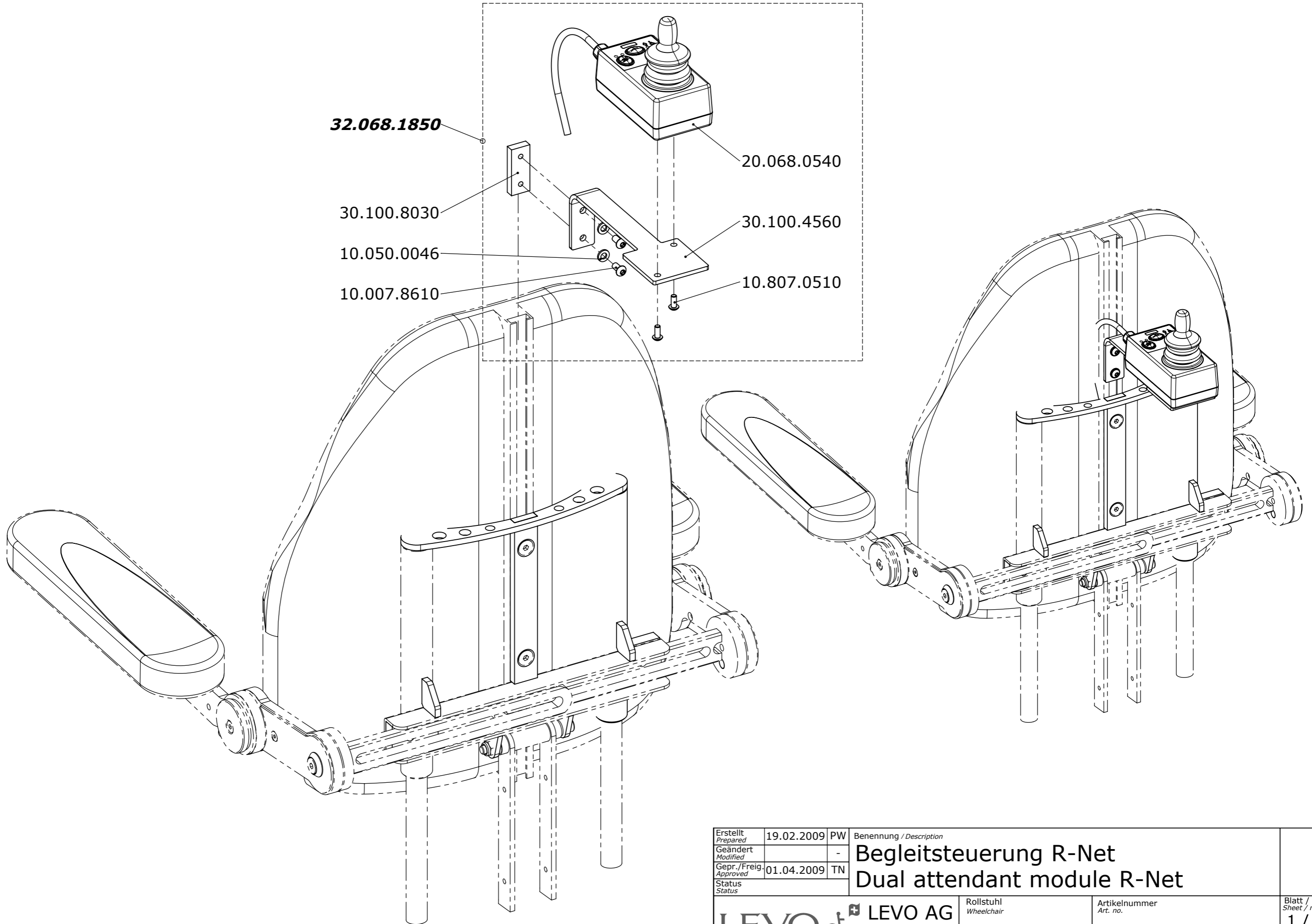
Benennung / Description  
**Joystickhalter spezial**  
**Joystick support special**

**LEVO**.<sup>+</sup> LEVO AG  
 CH-5610 Wohlen  
 www.levo.ch  
 THE EXPERTS IN STANDING

Rollstuhl  
*Wheelchair*  
**C3**

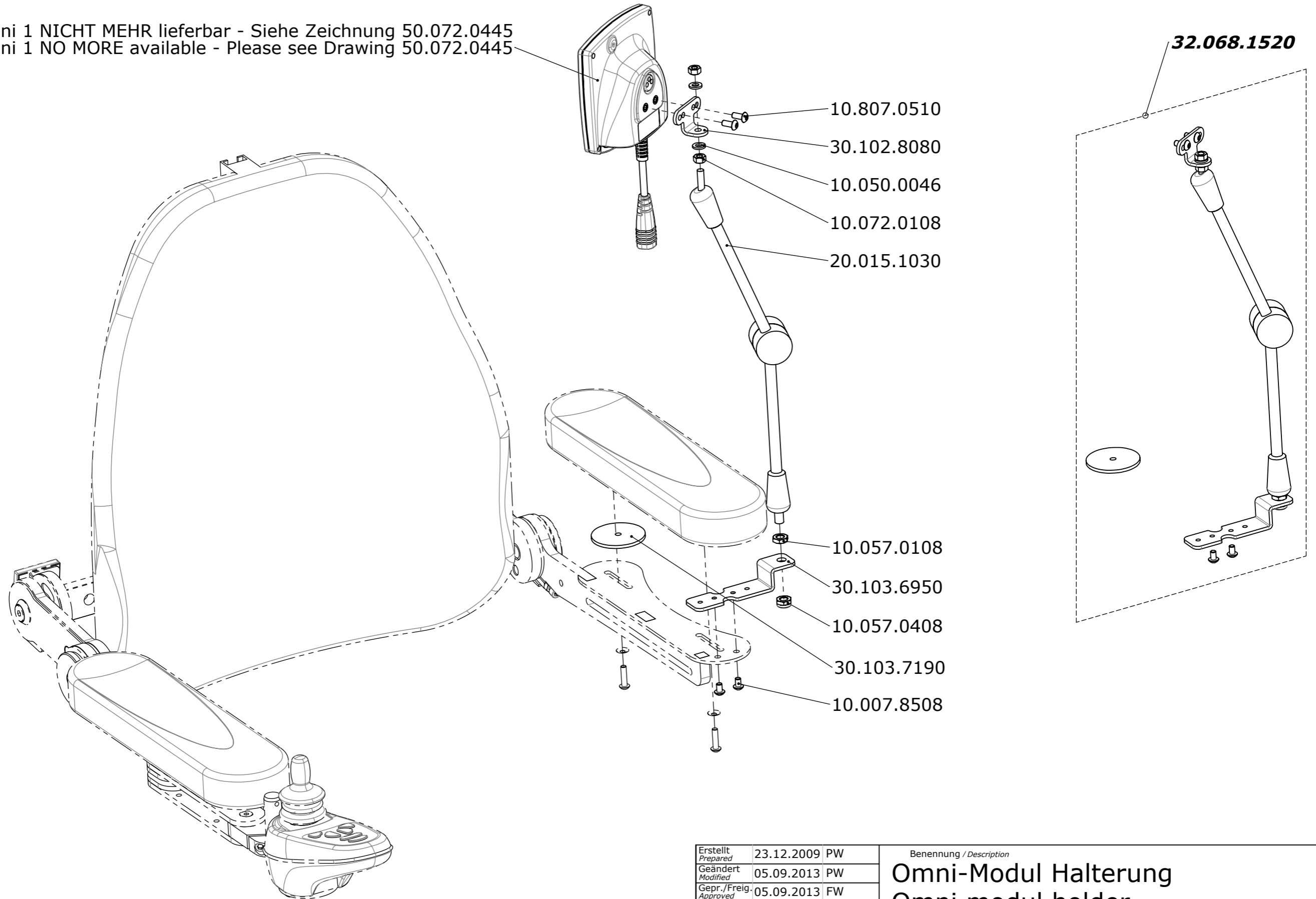
Artikelnummer  
*Art. no.*  
**50.072.0425**

Blatt / Anz.  
*Sheet / no. of*  
**1 / 1**  
 Index / Rev.  
 -

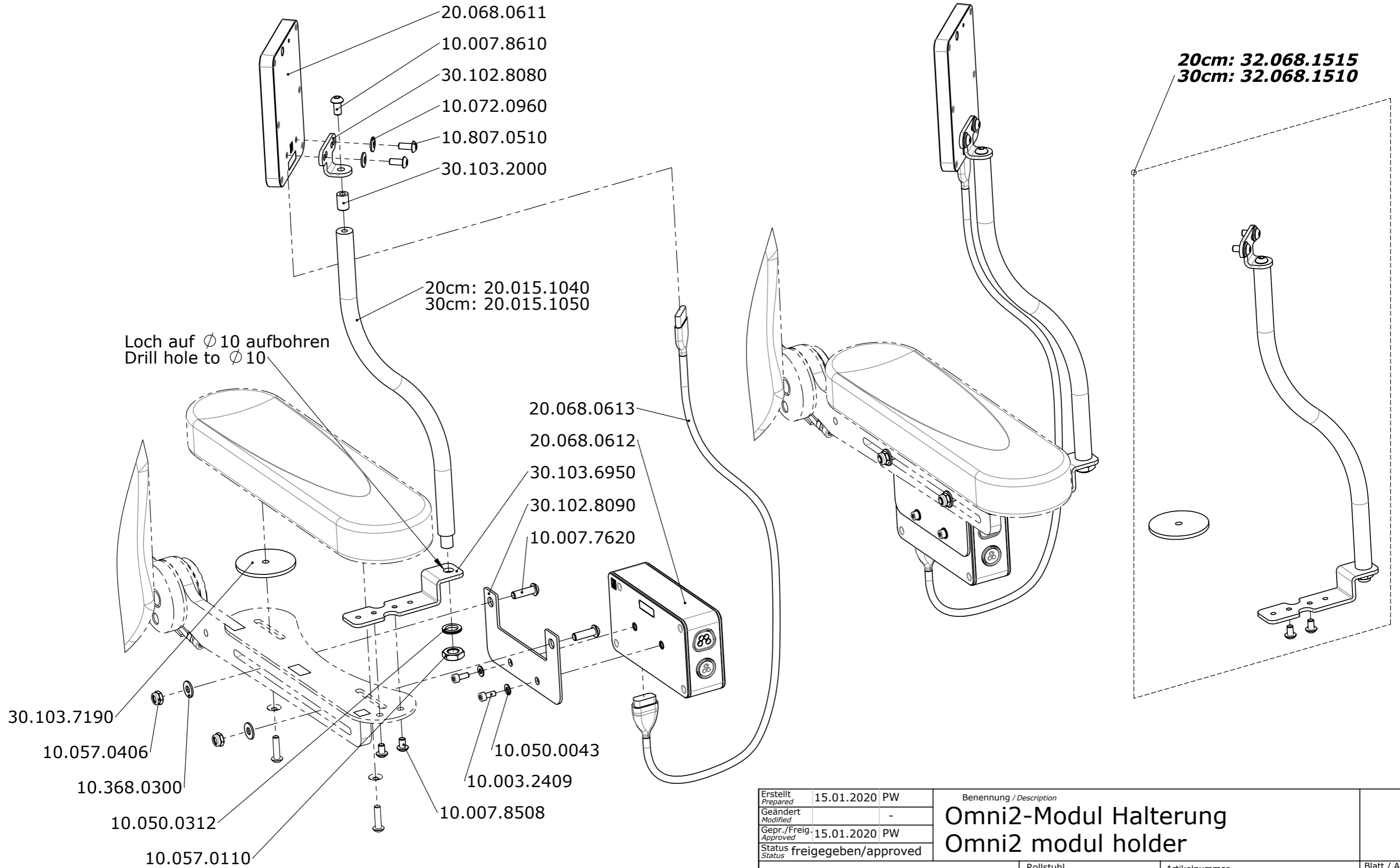


|  |            |    |   |   |
|--|------------|----|---|---|
| Erstellt<br><i>Prepared</i>  | 19.02.2009 | PW | Benennung / <i>Description</i>                                      |   |
| Geändert<br><i>Modified</i>  |            | -  | <b>Begleitsteuerung R-Net</b><br><b>Dual attendant module R-Net</b> |   |
| Gepr./Freig.<br><i>Approved</i>  | 01.04.2009 | TN |   |   |
| Status<br><i>Status</i>  |            |    |   |   |
| <b>LEVO</b> <sup>+</sup> <b>AG</b><br>THE EXPERTS IN STANDING<br>CH-5610 Wohlen<br>www.levo.ch |            |    | Rollstuhl<br><i>Wheelchair</i><br><b>C3</b>                         | Artikelnummer<br><i>Art. no.</i><br><b>50.072.0430</b>                |
|  |            |    |   | Blatt / Anz.<br><i>Sheet / no. of</i><br><b>1 / 1</b><br>Index / Rev. |

Omni 1 NICHT MEHR lieferbar - Siehe Zeichnung 50.072.0445  
 Omni 1 NO MORE available - Please see Drawing 50.072.0445



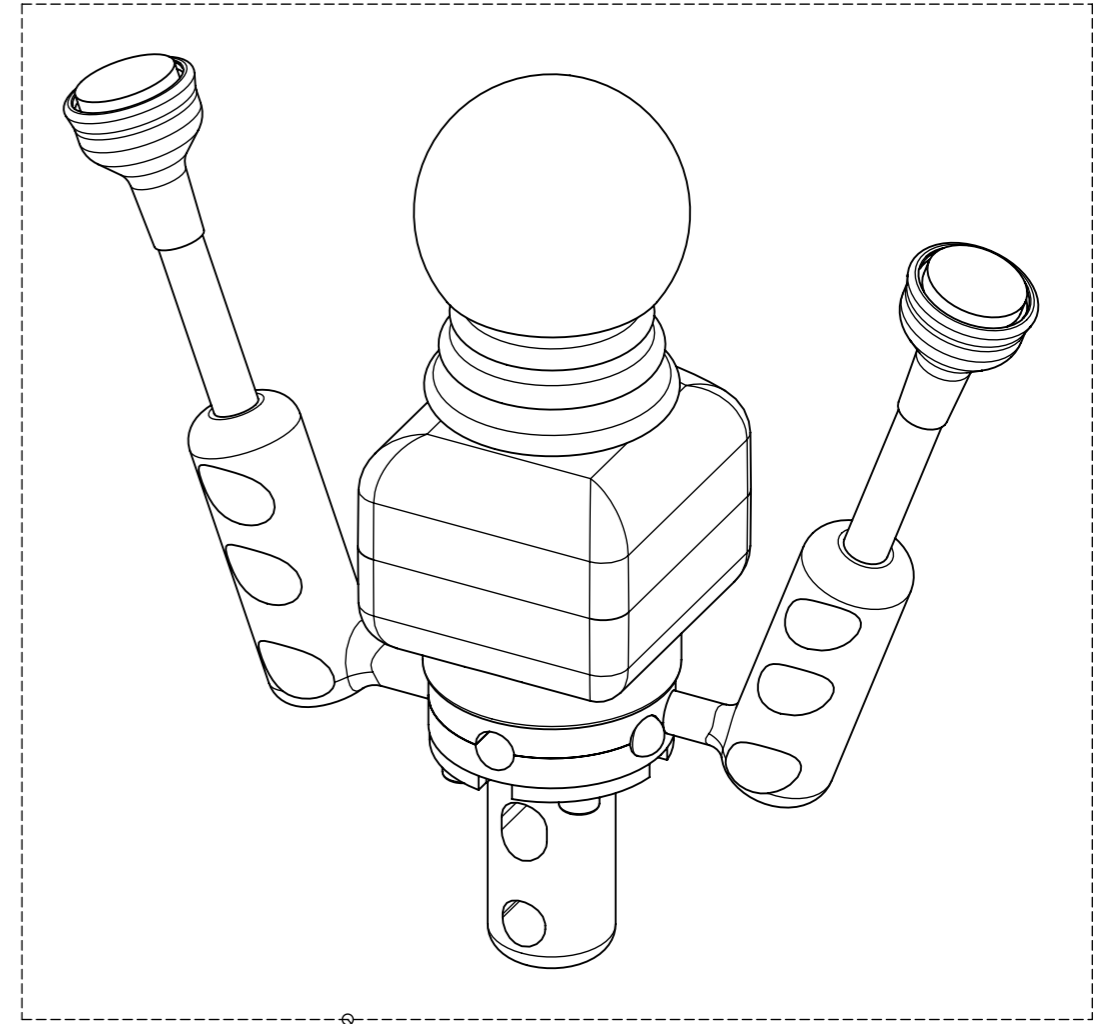
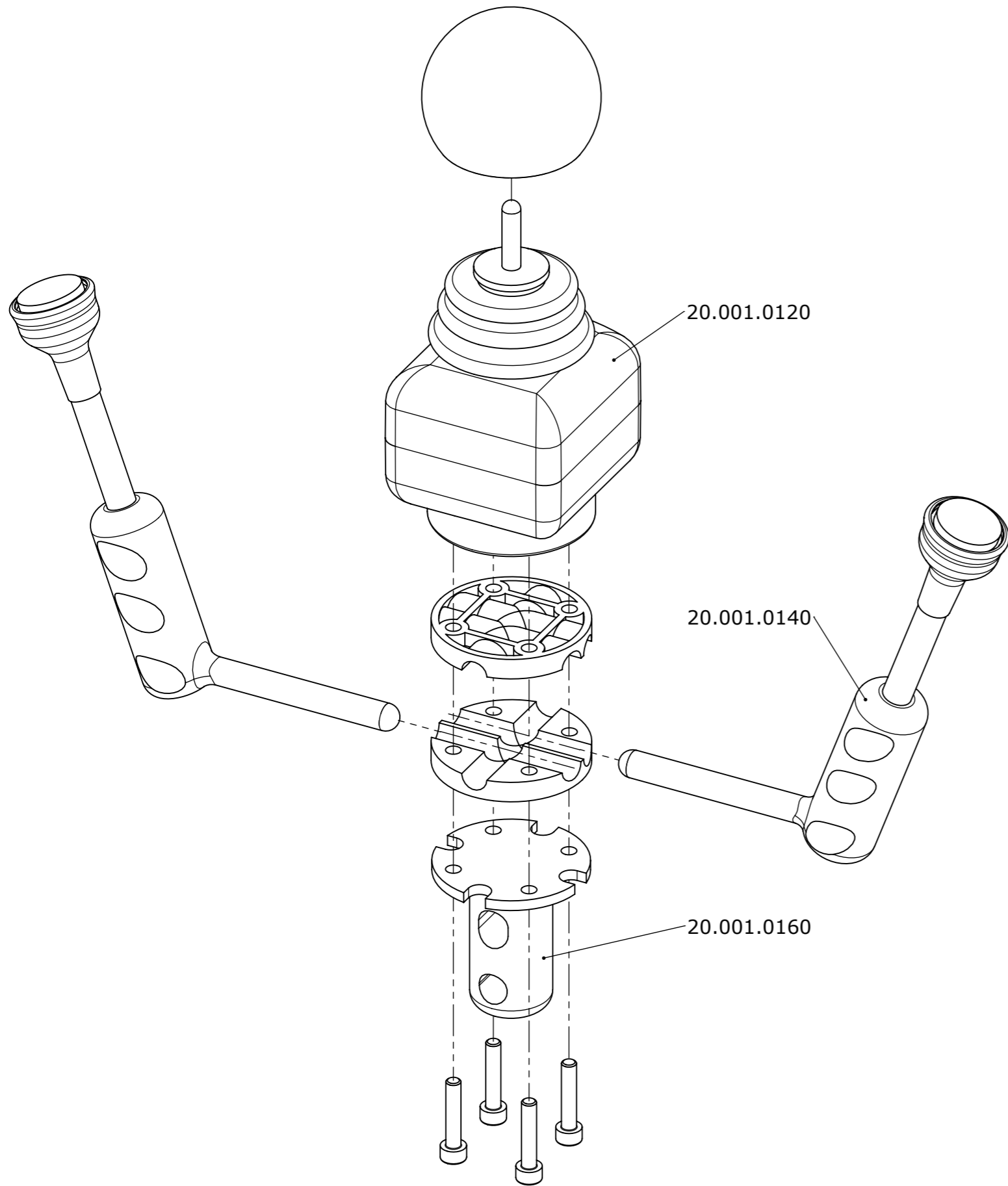
|  |                      |   |                                  |                                       |
|--|----------------------|---|----------------------------------|---------------------------------------|
| Erstellt<br><i>Prepared</i>  | 23.12.2009 PW        | Benennung / Description                   |                                  |                                       |
| Geändert<br><i>Modified</i>  | 05.09.2013 PW        | Omni-Modul Halterung<br>Omni modul holder |                                  |                                       |
| Gepr./Freig.<br><i>Approved</i>  | 05.09.2013 FW        |   |                                  |                                       |
| Status<br><i>Status</i>  | freigegeben/approved | Rollstuhl<br><i>Wheelchair</i>            | Artikelnummer<br><i>Art. no.</i> | Blatt / Anz.<br><i>Sheet / no. of</i> |
|  LEVO AG<br>CH-5610 Wohlen<br>www.levo.ch |                      | C3  | 50.072.0440                      | 1 / 1<br>Index / Rev.<br>A            |



|                          |                      |    |
|--------------------------|----------------------|----|
| Erstellt<br>Prepared     | 15.01.2020           | PW |
| Geändert<br>Modified     |                      | -  |
| Gepr./Freig.<br>Approved | 15.01.2020           | PW |
| Status                   | freigegeben/approved |    |

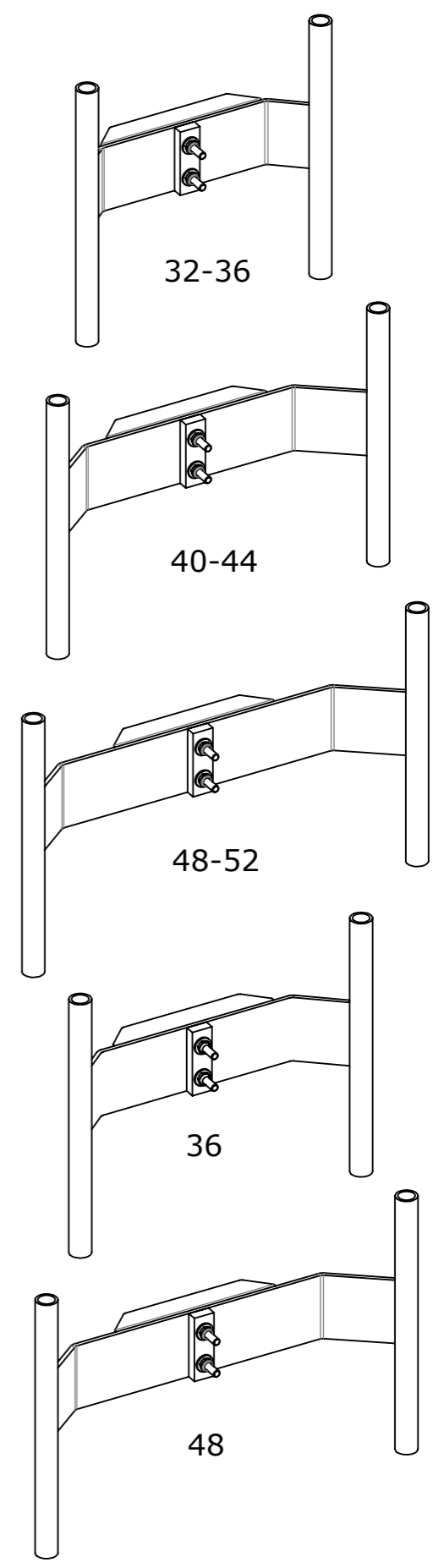
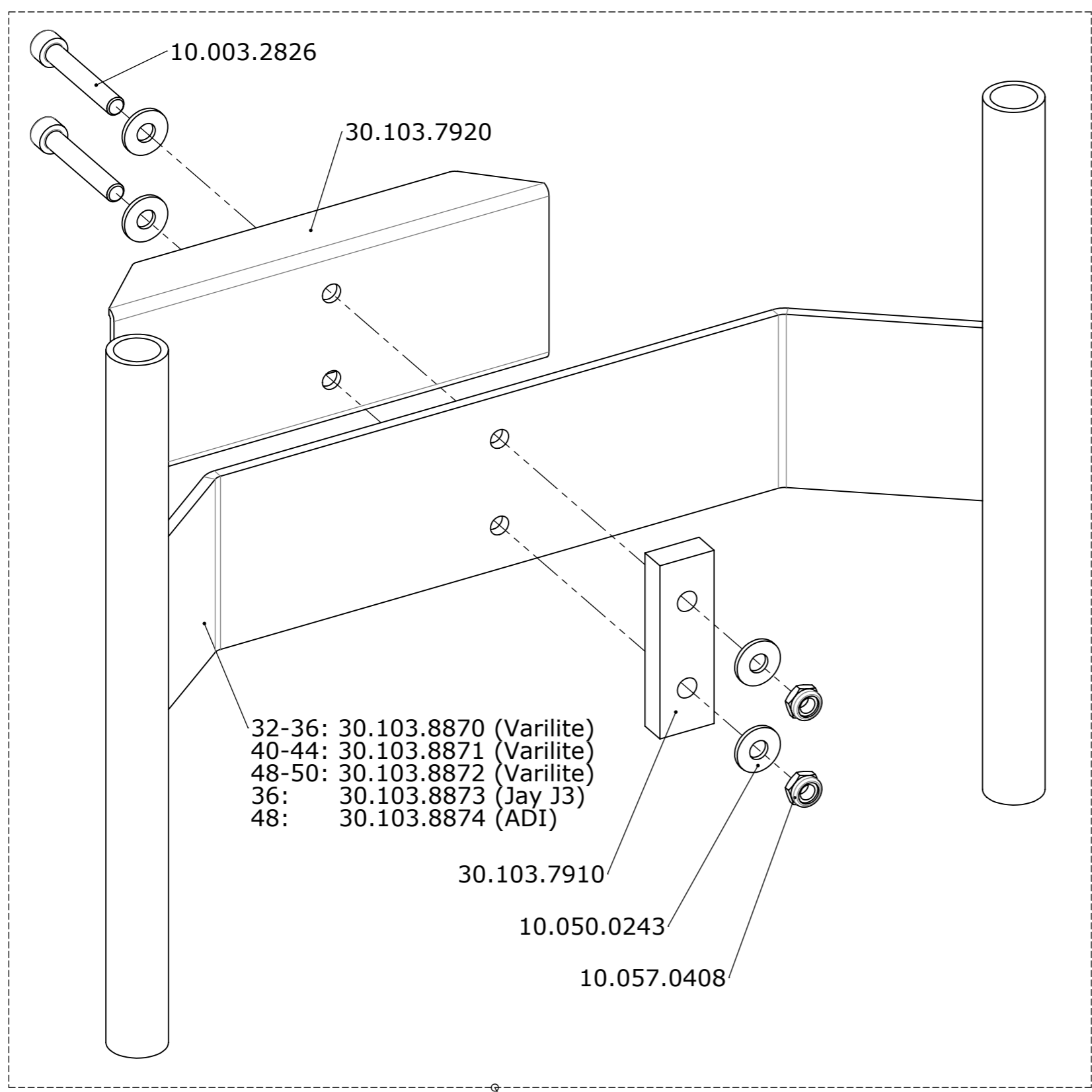
|                              |  |
|------------------------------|--|
| Benennung / Description      |  |
| <b>Omni2-Modul Halterung</b> |  |
| <b>Omni2 modul holder</b>    |  |

|  |                                      |   |   |
|--|--------------------------------------|---|---|
| <b>LEVO</b> . <sup>dt</sup> LEVO AG<br>CH-5610 Wohlen<br>www.levo.ch | Rollstuhl<br>Wheelchair<br><b>C3</b> | Artikelnummer<br>Art. no.<br><b>50.072.0445</b> | Blatt / Anz.<br>Sheet / no. of<br><b>1 / 1</b><br>Index / Rev.<br>- |
|--|--------------------------------------|---|---|



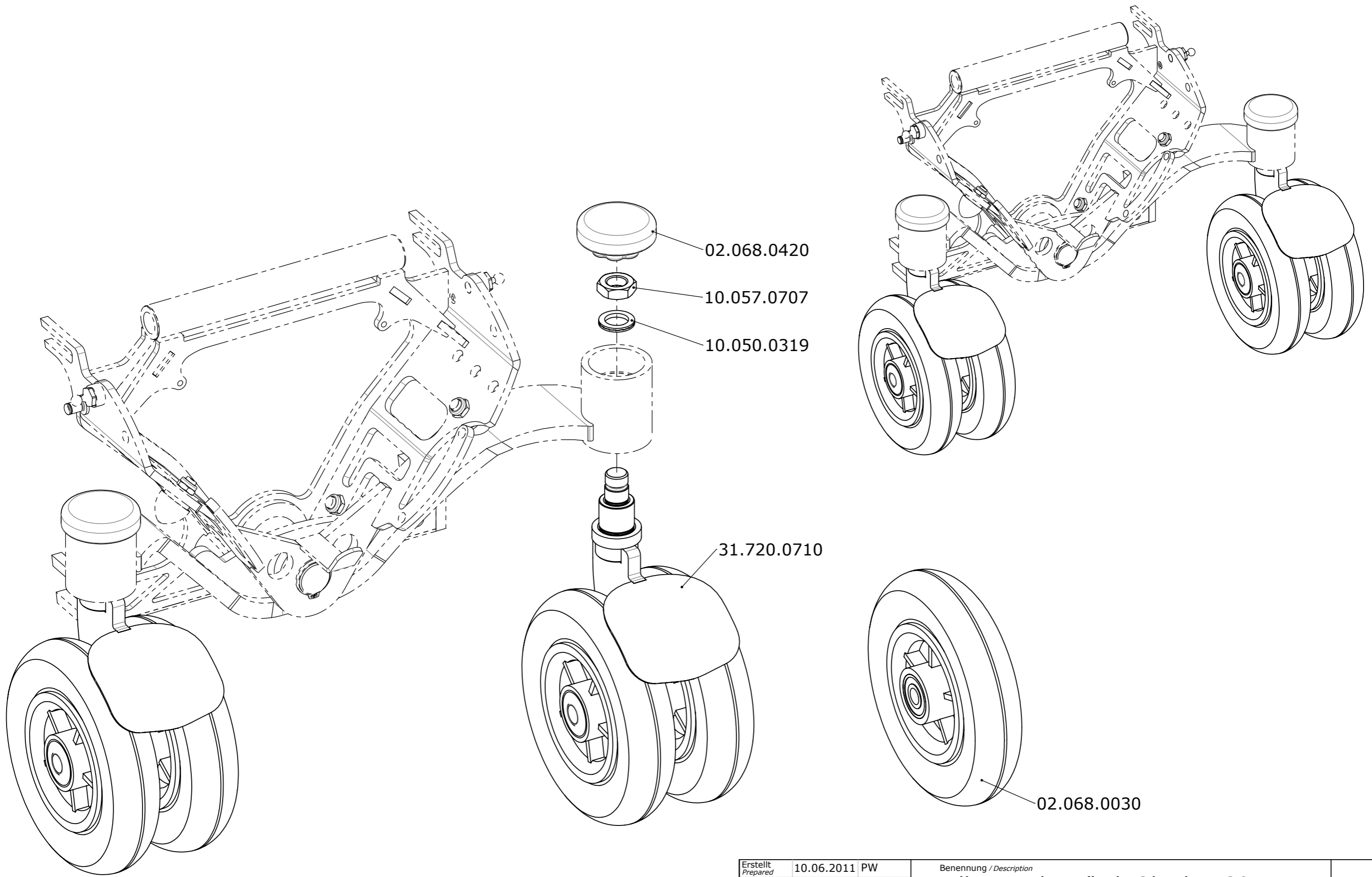
**32.072.0340**

|                                 |            |    |   |   |
|---------------------------------|------------|----|---|---|
| Erstellt<br><i>Prepared</i>     | 20.08.2010 | PW | Benennung / Description   |   |
| Geändert<br><i>Modified</i>     |            | -  | <b>Kinnsteuerungs - Set Omni</b><br><b>Chincontrol-Kit Omni</b> |   |
| Gepr./Freig.<br><i>Approved</i> | 20.08.2010 | TN |   |   |
| Status                          |            |    |   |   |
|                                 |            |    | LEVO AG<br>CH-5610 Wohlen<br>www.levo.ch                        | Rollstuhl<br><i>Wheelchair</i><br><b>C3</b>                           |
|                                 |            |    | Artikelnummer<br><i>Art. no.</i><br><b>50.072.0450</b>          | Blatt / Anz.<br><i>Sheet / no. of</i><br><b>1 / 1</b><br>Index / Rev. |



| <b>Anbauset / Conversion set</b>   |  |  |
|------------------------------------|--|--|
| <b>Sitzbreite /<br/>Seat width</b> | <b>Artikelnummer /<br/>Article no.</b> | <b>Anbausettyp<br/>/Mountingset-<br/>Typ</b> |
| <b>32-36</b>                       | <b>32.072.0351</b>                     | <b>Varilite</b>                              |
| <b>40-44</b>                       | <b>32.072.0352</b>                     | <b>Varilite</b>                              |
| <b>48-52</b>                       | <b>32.072.0353</b>                     | <b>Varilite</b>                              |
| <b>36</b>                          | <b>32.072.0354</b>                     | <b>Jay J3</b>                                |
| <b>48</b>                          | <b>32.072.0355</b>                     | <b>ADI</b>                                   |

|  |                      |    |  |  |
|--|----------------------|----|--|--|
| Erstellt<br><i>Prepared</i>              | 02.05.2011           | PW | Benennung / Description<br><b>Anbauset für ext. Rückenlehne<br/>Conversion set for ext. backrest</b> | Blatt / Anz.<br>Sheet / no. of<br><b>1 / 1</b> |
| Geändert<br><i>Modified</i>              | 23.05.2013           | PW |  |  |
| Gepr./Freig.<br><i>Approved</i>          | 23.05.2013           | BM |  |  |
| Status<br><i>Status</i>                  | freigegeben/approved |    |  |  |
| LEVO AG<br>CH-5610 Wohlen<br>www.levo.ch |                      |    | Rollstuhl<br><i>Wheelchair</i>   | Artikelnummer<br><i>Art. no.</i>               |
|  |                      |    | <b>C3</b>  | <b>50.072.0460</b>                             |
|  |                      |    |  | Index / Rev.<br><b>C</b>                       |



|                                 |            |    |
|---------------------------------|------------|----|
| Erstellt<br><i>Prepared</i>     | 10.06.2011 | PW |
| Geändert<br><i>Modified</i>     | 18.10.2011 | PW |
| Gepr./Freig.<br><i>Approved</i> | 18.10.2011 | BM |
| Status                          |            |    |

|                                   |
|-----------------------------------|
| Benennung / <i>Description</i>    |
| Zwillingsräder 7" ab Oktober 2011 |
| Twin-Wheels 7" since october 2011 |

**LEVO**.<sup>dt</sup> LEVO AG  
 CH-5610 Wohlen  
 www.levo.ch  
 THE EXPERTS IN STANDING

Rollstuhl  
*Wheelchair*  
**C3**

Artikelnummer  
*Art. no.*  
**50.072.0470**

Blatt / Anz.  
*Sheet / no. of*  
**1 / 1**  
 Index / Rev.  
**B**

**32.068.1860**

20.068.6835

20.068.6821

|                                 |                      |    |
|---------------------------------|----------------------|----|
| Erstellt<br><i>Prepared</i>     | 04.09.2013           | PW |
| Geändert<br><i>Modified</i>     |                      | -  |
| Gepr./Freig.<br><i>Approved</i> | 04.09.2013           | FW |
| Status<br><i>Status</i>         | freigegeben/approved |    |

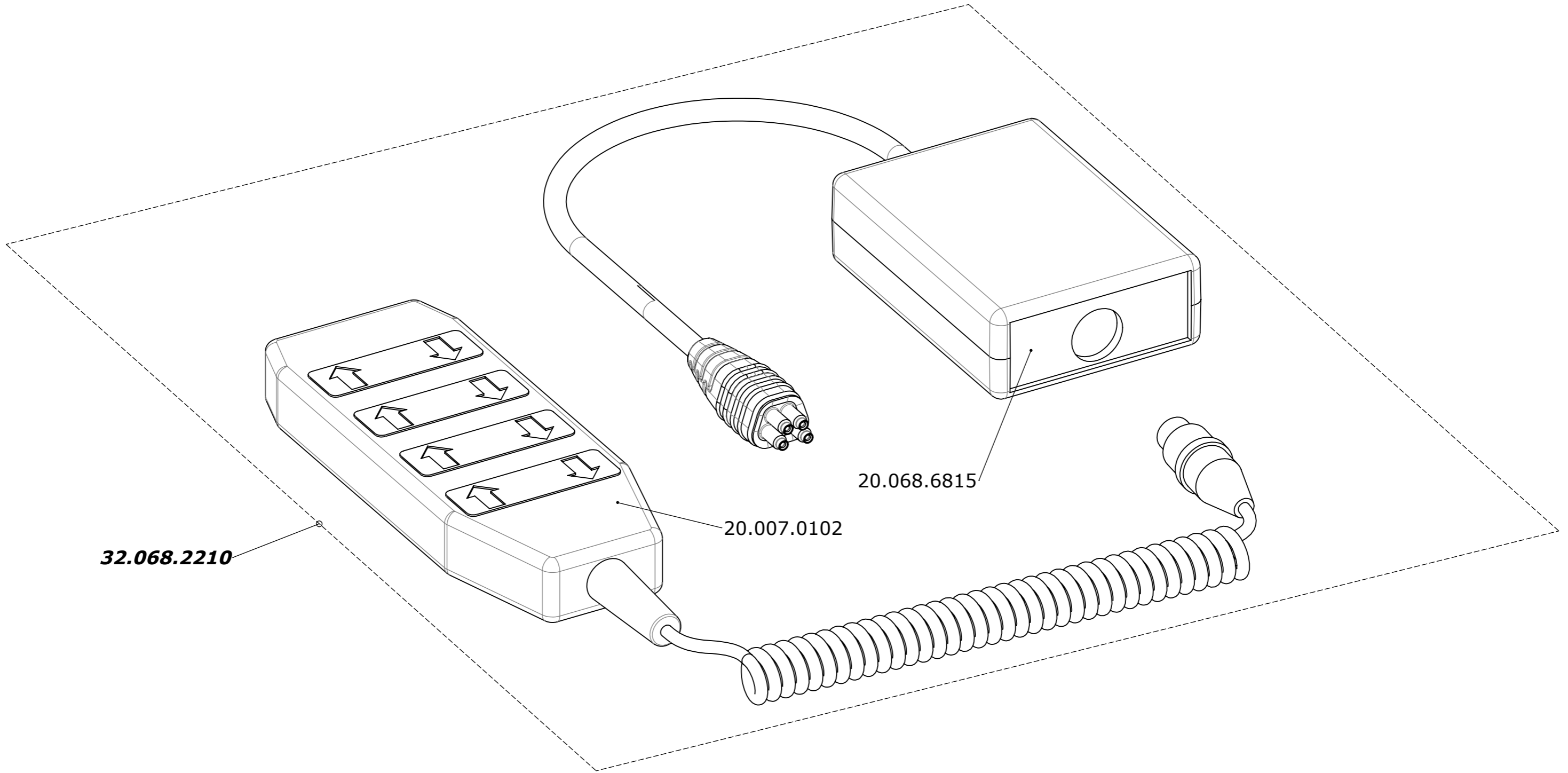
Benennung / Description  
**Bluetooth-Modul R-Net**

**LEVO**.<sup>dt</sup> LEVO AG  
 THE EXPERTS IN STANDING CH-5610 Wohlen  
 www.levo.ch

Rollstuhl  
*Wheelchair*  
**C3**

Artikelnummer  
*Art. no.*  
**50.072.0480**

Blatt / Anz.  
*Sheet / no. of*  
**1 / 1**  
Index / Rev.  
-



|                                 |                      |    |
|---------------------------------|----------------------|----|
| Erstellt<br><i>Prepared</i>     | 04.09.2013           | PW |
| Geändert<br><i>Modified</i>     |                      | -  |
| Gepr./Freig.<br><i>Approved</i> | 04.09.2013           | FW |
| Status<br><i>Status</i>         | freigegeben/approved |    |

|                         |  |
|-------------------------|--|
| Benennung / Description |  |
| <b>Handbedienung</b>    |  |
| <b>Manual operation</b> |  |

**LEVO**.<sup>dt</sup> LEVO AG  
 CH-5610 Wohlen  
 www.levo.ch  
 THE EXPERTS IN STANDING

Rollstuhl  
*Wheelchair*

**C3**

Artikelnummer  
*Art. no.*

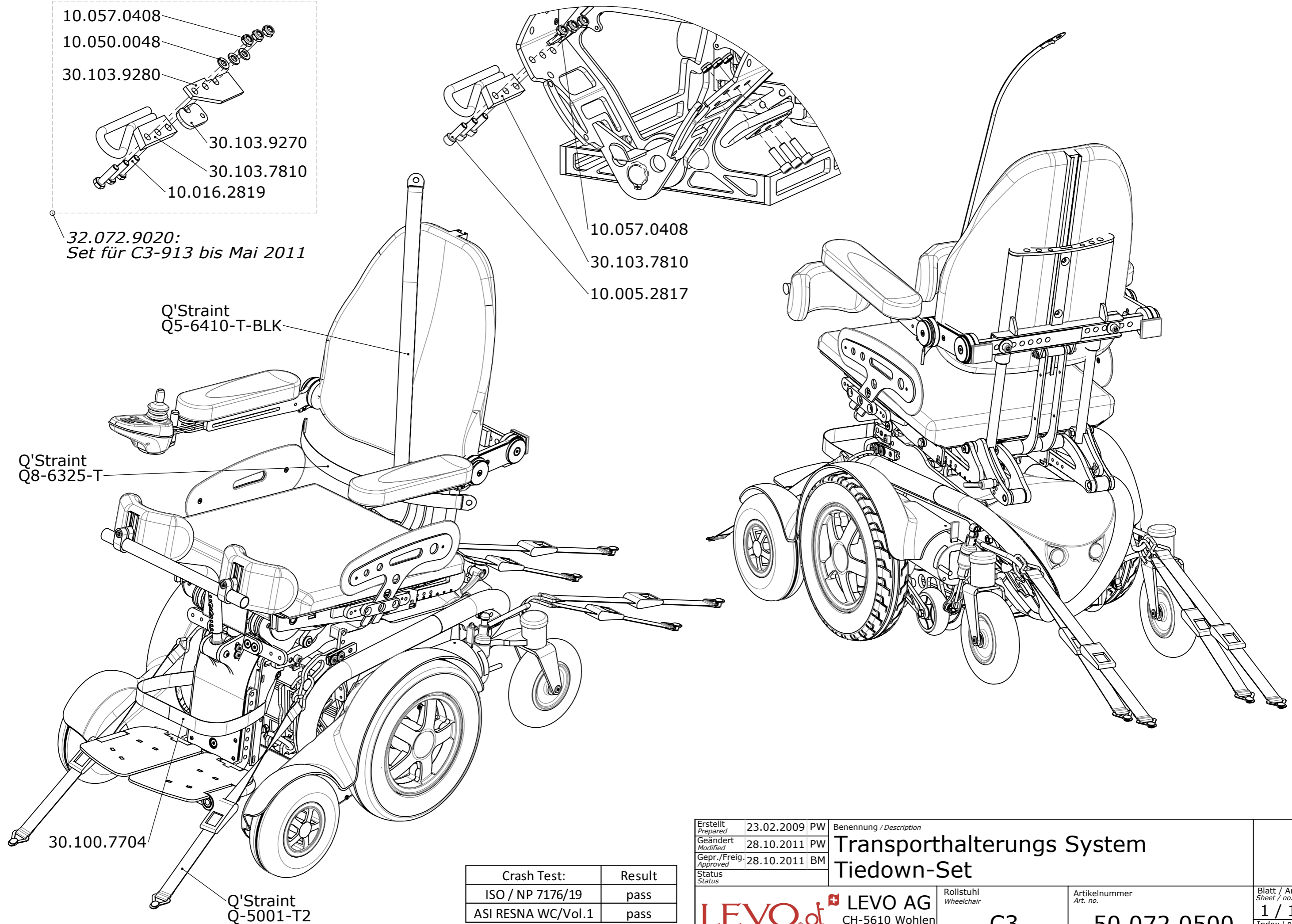
**50.072.0490**

Blatt / Anz.  
*Sheet / no. of*

**1 / 1**

Index / Rev.

-



32.072.9020:  
Set für C3-913 bis Mai 2011

Q'Straint  
Q5-6410-T-BLK


Q'Straint  
Q8-6325-T

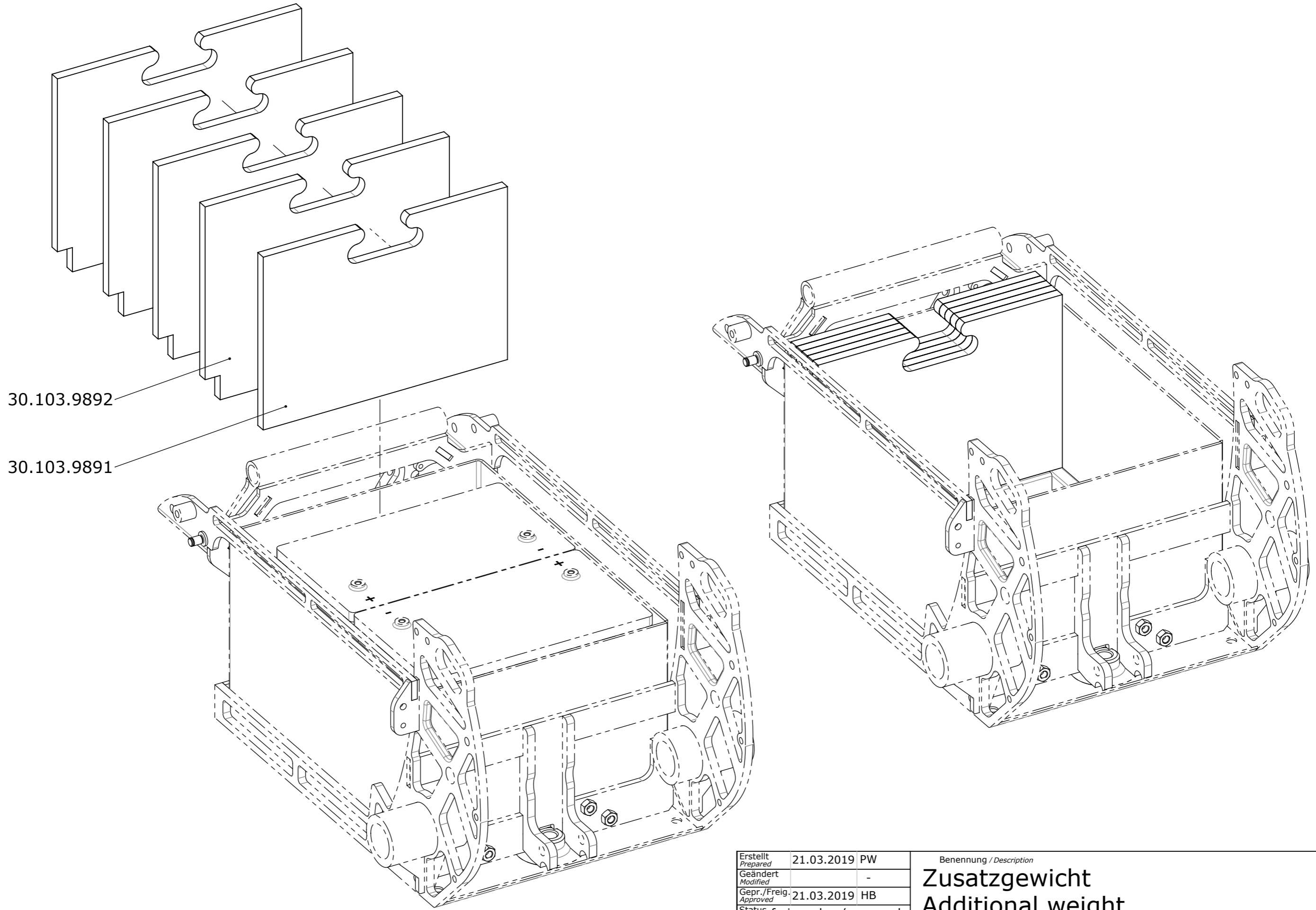
30.100.7704

Q'Straint  
Q-5001-T2

10.057.0408  
30.103.7810  
10.005.2817

| Crash Test:        | Result |
|--------------------|--------|
| ISO / NP 7176/19   | pass   |
| ASI RESNA WC/Vol.1 | pass   |

|   |            |    |   |                           |                                |
|---|------------|----|---|---------------------------|--------------------------------|
| Erstellt<br>Prepared  | 23.02.2009 | PW | Benennung / Description                   |                           |                                |
| Geändert<br>Modified  | 28.10.2011 | PW | Transporthalterungs System<br>Tiedown-Set |                           |                                |
| Gepr./Freig.<br>Approved  | 28.10.2011 | BM |   |                           |                                |
| Status  |            |    |   |                           |                                |
|  <b>LEVO AG</b><br>CH-5610 Wohlen<br>www.levo.ch |            |    | Rollstuhl<br>Wheelchair                   | Artikelnummer<br>Art. no. | Blatt / Anz.<br>Sheet / no. of |
|   |            |    | <b>C3</b>                                 | <b>50.072.0500</b>        | <b>1 / 1</b>                   |
|   |            |    |   |                           | Index / Rev.<br>D              |



30.103.9892

30.103.9891

|                                 |                      |    |
|---------------------------------|----------------------|----|
| Erstellt<br><i>Prepared</i>     | 21.03.2019           | PW |
| Geändert<br><i>Modified</i>     |                      | -  |
| Gepr./Freig.<br><i>Approved</i> | 21.03.2019           | HB |
| Status<br><i>Status</i>         | freigegeben/approved |    |

|                          |  |
|--------------------------|--|
| Benennung / Description  |  |
| <b>Zusatzgewicht</b>     |  |
| <b>Additional weight</b> |  |

**LEVO**.<sup>+</sup> LEVO AG  
 CH-5610 Wohlen  
 www.levo.ch  
 THE EXPERTS IN STANDING

Rollstuhl  
*Wheelchair*  
**C3**

Artikelnummer  
*Art. no.*  
**50.072.0510**

Blatt / Anz.  
*Sheet / no. of*  
**1 / 1**  
 Index / Rev.  
 -