

SPARE PART CATALOG

C500

Permobil power wheelchair



C500

Spare Part Catalog Reservdelskatalog

Permobil AB
Box 120
861 23 Timrå
Sverige
Tel: 060-59 59 00
Fax: 060-57 52 50
E-post: info@permobil.se

Permobil Inc. USA
6961 Eastgate Blvd.
Lebanon, TN 37090
USA
Phone: 800-736-0925
Fax: 800-231-3256
Email: info@permobilusa.com

Permobil AS
Hvamsvingen 22
2013 Skjetten
Norge
Tlf. 48 12 90 00
Fax. 63 84 48 50
E-post: firmapost@permobil.no

Permobil Europe BV
De Doom 22
NL-6419 CX Heerlen
Netherlands
Tel: +31 (0)45 564 54 90
Fax: +31 (0) 45 564 54 91
Email: europe@permobil.nl

Produced and published by Permobil AB, Sweden

Contents

Contact information

Contents, English

Contents, Swedish

Rear wheel susp, std and short

Chassis

Driving unit

Brake release

Wheels three spoke

Covers

Seat tube, fixed

Seat elevator, standard

Seat elevator, -60

Seat elevator, -50

Seat elevator soft pot

Screw kit seat elevator

Electronics P+

Electronics, P+, S-model

Electronics R-net

Lighting

Ordering information, English

Ordering information, English

Ordering information, English

Ordering information, Swedish

Ordering information, Swedish

Innehåll

Kontaktinformation

Innehållsförteckning, engelsk

Innehållsförteckning, svensk

Hjulupphängning bak, standard och kort

Chassi

Drivpaket

Bromsfrigöring

Trekrade hjul

Kåpor

Fast sitsrör

Sitslyft, standard

Sitslyft, -60

Sitslyft, -50

Sitslyft soft pot

Skruvsats sitslyft

Elektronik P+

Elektronik, P+ S-modellen

Elektronik R-net

Belysning

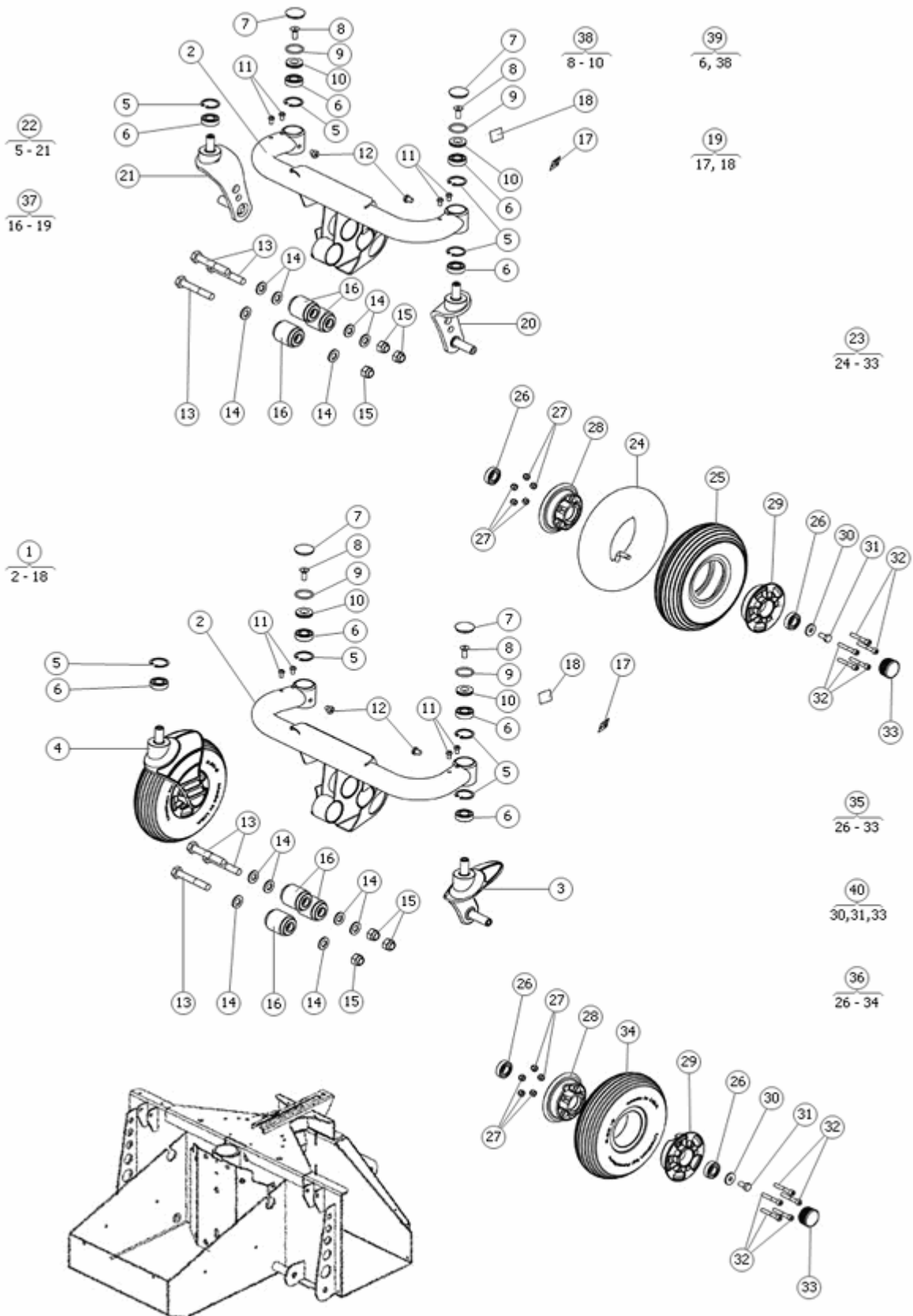
Orderinformation, engelsk

Orderinformation, engelsk

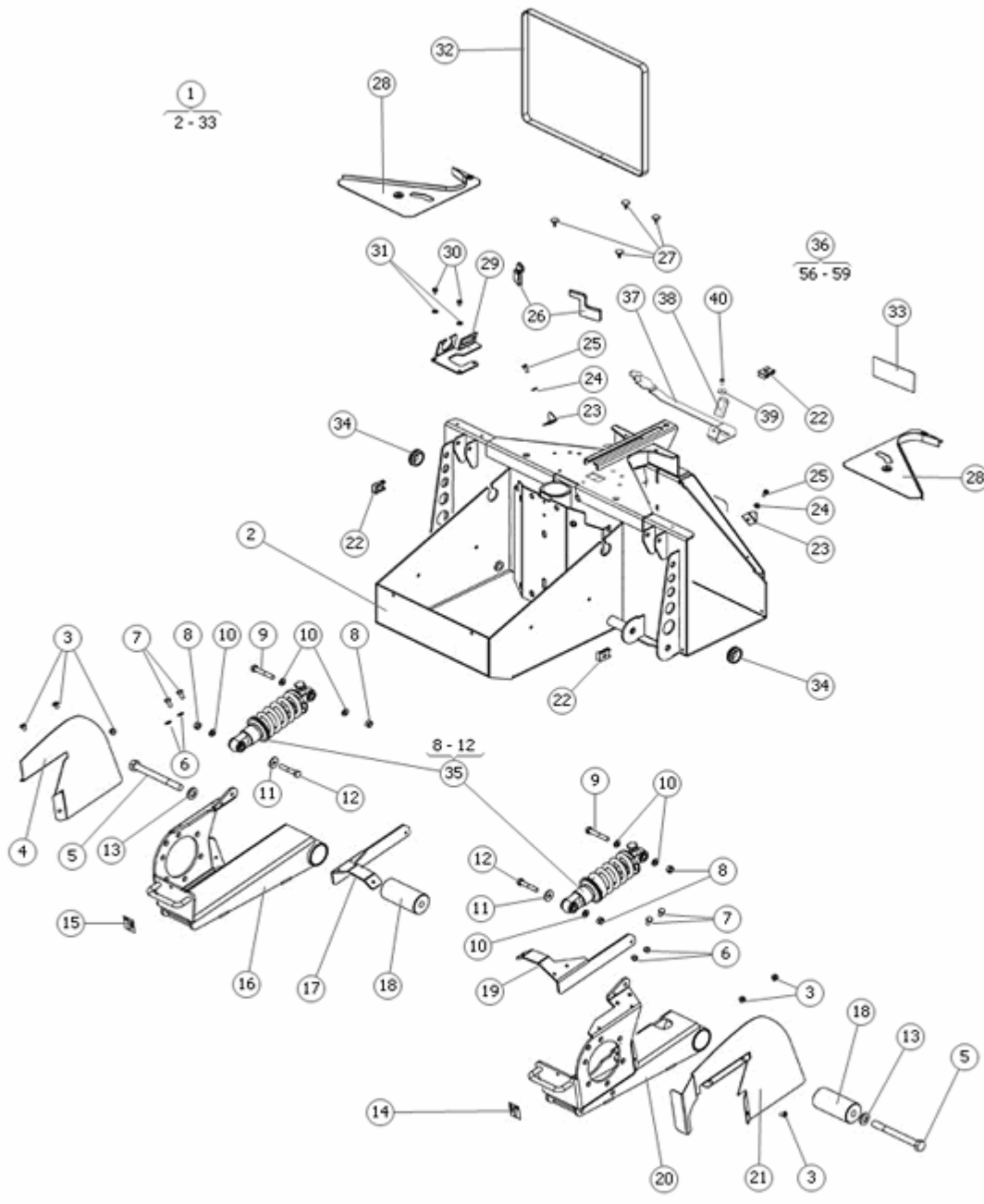
Orderinformation, engelsk

Orderinformation, svensk

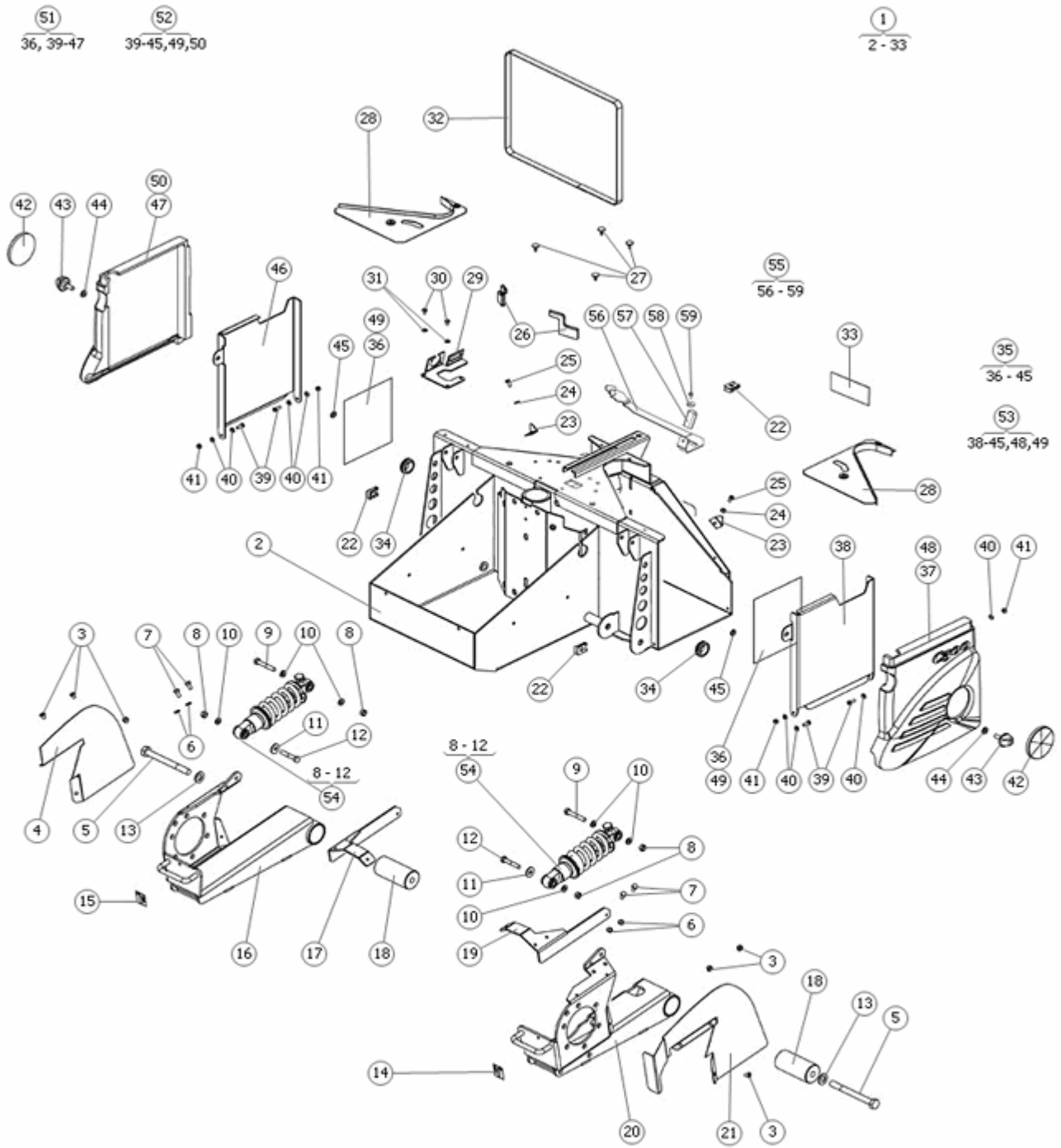
Orderinformation, svensk



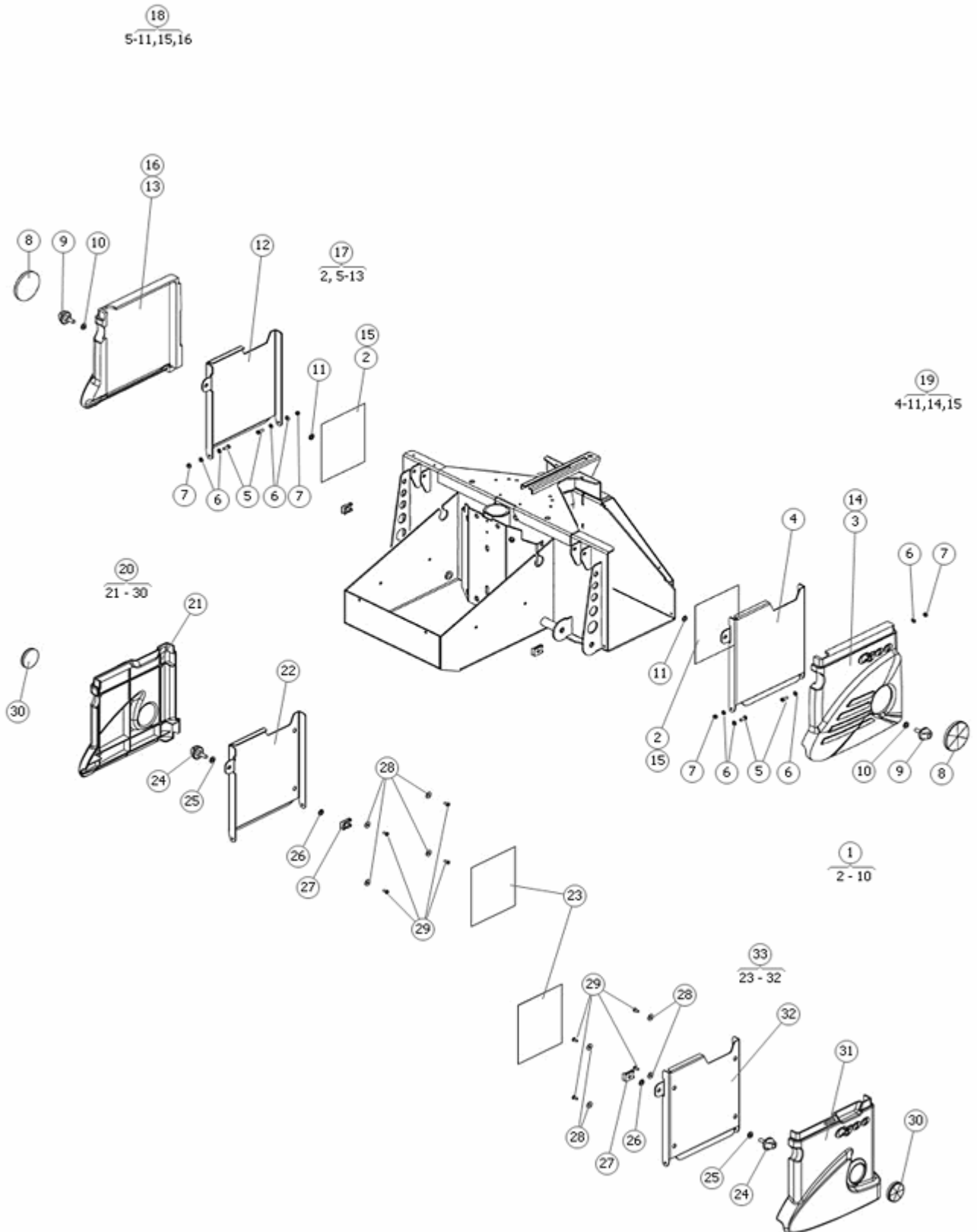
Pos	Qty	Stock Code	Description	Remark
1	1	308960-28-0	REAR WHEEL SUSP CH2k	STD
2	1	310020-28-0	SWINGARM CH2k	
2	1	1820528	SWINGARM SHORT C500	
3	1	1820281	WHEELFORK LEFT CH2k STR	LEFT
4	1	1820302	WHEELFORK RIGHT CH2k STR	RIGHT
5	4	600751-99-0	CIRCLIP SGH 32	
6	4	600752-99-0	BALL BEAR 6002-2RS1	
7	2	311314-99-0	PL PLUG REAR WHEEL	
8	2	1820410	SCREW ISO 10642 M8x20	
9	2	1820404	RUBBER RING 24.2x3 EPDM	
10	2	1820403	FRICT.PLATE WHEELFORK	
11	4	600736-99-0	BOLT K6S 6x10 fzb	
12	2	601953-99-0	BOLT K6S 8x10 fzb	
13	3	602781-99-0	BOLT M6S 12x75 fzb	
14	6	602780-99-0	WASHER BRB 24x13x2,5	
15	3	600688-99-0	LOCK NUT M12 FZB	
16	3	602782-99-0	BUSHING SWINGARM CH2k	
17	1	312872-99-2	DECAL HOOKBRACKET	FASTENING HOOK LEFT
18	1	312871-99-1	DECAL HOOKBRACKET	FASTENING HOOK RIGHT
19	1	1820459	DECALSET HOOKBRACKET C300	FASTENING HOOK LEFT AND RIGHT
20	1	313683-28-2	WHEELFORK C500	
21	1	313682-28-1	WHEELFORK C500	
22	1	1820554	SUSPENSION REAR C500	SHORT
23	2		WHEEL 210x65 AIR REAR CH2 CH2k	
24	1	602568-99-0	TUBE 210x65 REAR CH2k	
25	1	602569-08-0	TIRE 210x65 REAR AIR	
26	2	600752-99-0	BALL BEAR 6002-2RS1	
27	5	1821261	LOCK NUT M6 HIGH fzb	
28	1		RIM INNER 210x65	
29	1		RIM OUTER 210x65	
30	1	305390-99-0	WASH 8.5x23x3 fzb	
31	1	602124-99-0	BOLT M6S 8x 16 fzb ESL	ISO 4017 M8x16 fzb
32	5	601756-99-0	BOLT MC6S 6x40 fzb	
33	1	602798-00-0	PLASTIC PLUG IKP 3531-33S	
34	1	612397-08-0	TIRE 210x65 SOLID	
35	2	310450-19-0	RIM 210x65 REAR CH2 CH2k	
36	1	1822415	WHEEL 210x65 SOLID 3-	
37	1	1820528	SWINGARM SHORT C500	
38	2	1822628	FRICTION BRAKE KIT	
39	1	1825109	FRICTION BRAKE KIT VER.3	
40	1	1825083	BOLT KIT WHEEL FRONT STR,	



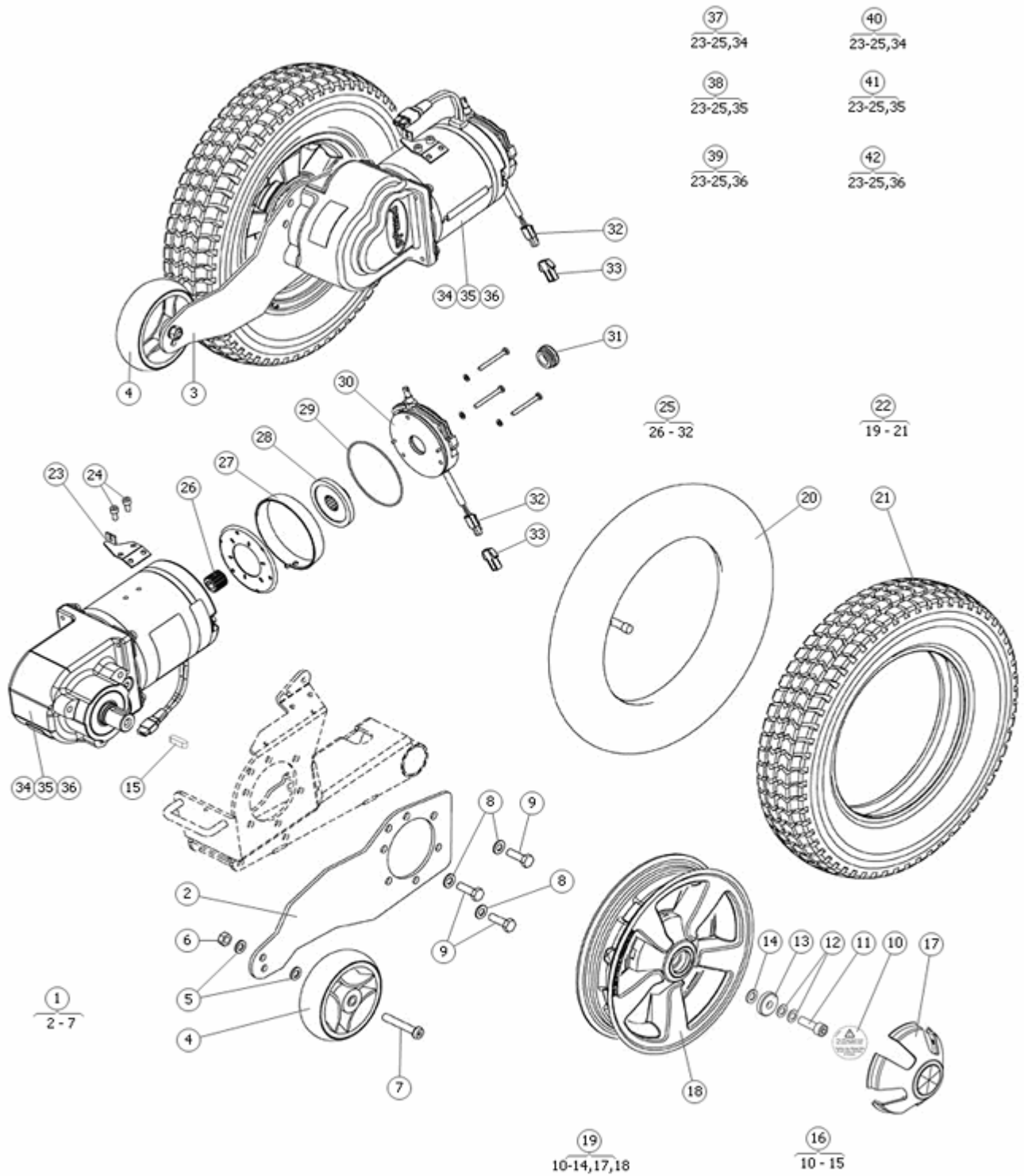
Pos	Qty	Stock Code	Description	Remark
1	1	1822627	CHASSIE C500	THE BREAK RELEASE, PAGE 12, BELONGS TO T..
2	1		CHASSIE	
3	6		SCREW, ISO 7380 M5x6 fzb	
4	1	313948-99-1	COVERPLATE DRIVE MOTOR	
5	2	602027-99-0	BOLT M6S 10x100 fzb	
6	4	601296-99-0	WASH BRB 4.3x 9x0.8 fzb	
7	4	601161-99-0	BOLT M6S 5x10 fzb	
8	4	600227-99-0	LOCK NUT M6 fzb ISO 7040	
9	2		BOLT, ISO 4014 M6x40 fzb	
10	6	600238-99-0	WASH BRB 6.4x12x1.5 fzb	
11	2		WASHER, ISO 7093-1 6,4x18x1,6 fzb	
12	2	602786-99-0	BOLT M6S 6x35	
13	2	600241-99-0	WASH BRB 10.5x20x2 fzb	
14	1	312872-99-2	DECAL HOOKBRACKET	FASTENING HOOK LEFT
15	1	312871-99-1	DECAL HOOKBRACKET	FASTENING HOOK RIGHT
16	1	312868-28-1	LINK C500	
17	1		BRACKET, COVER RIGHT	
18	2	308938-99-0	BUSHING LINK CH2k	
19	1		BRACKET, COVER LEFT	
20	1	312869-28-2	LINK C500	
21	1	313947-99-2	COVERPLATE DRIVE MOTOR	
22	3		CLIP NUT, M6	
23	2		ANGLE	
24	2	601296-99-0	WASH BRB 4.3x 9x0.8 fzb	
25	2	601187-99-0	BOLT K6S 4x10 fzb	
26	2	313841-00-0	PROTECT CABLE C400	
27	4	601158-99-0	QUICK MOUNT CLAMP	
27	4	601158-99-0	QUICK MOUNT CLAMP	
28	2	313717-00-0	COVER BATTERYBOX C4,500	
29	1		PLATE	
29	1		PLATE	
30	2	601366-99-0	BOLT K6S 4x 6 fzb	
31	2	601296-99-0	WASH BRB 4.3x 9x0.8 fzb	
32	2	309349-00-0	LIFT BELT BATTERY CH2k	
32	2	1820532	LIFT BELT BATTERY	
33	1		STICKER	SERIAL NO. CHASSIE
34	2		GROMMET	
35	2	309320-00-0	SHOCK ABSORBER INCL	
36	1	1825306	ARM MAIN SWITCH C400 C500	
37	1		ARM	
38	1	601823-00-0	PLAST KNOB RECT 4x16x30	
39	1		SPACER	
40	1	601381-99-0	BOLT K6S 4x 8 fzb	



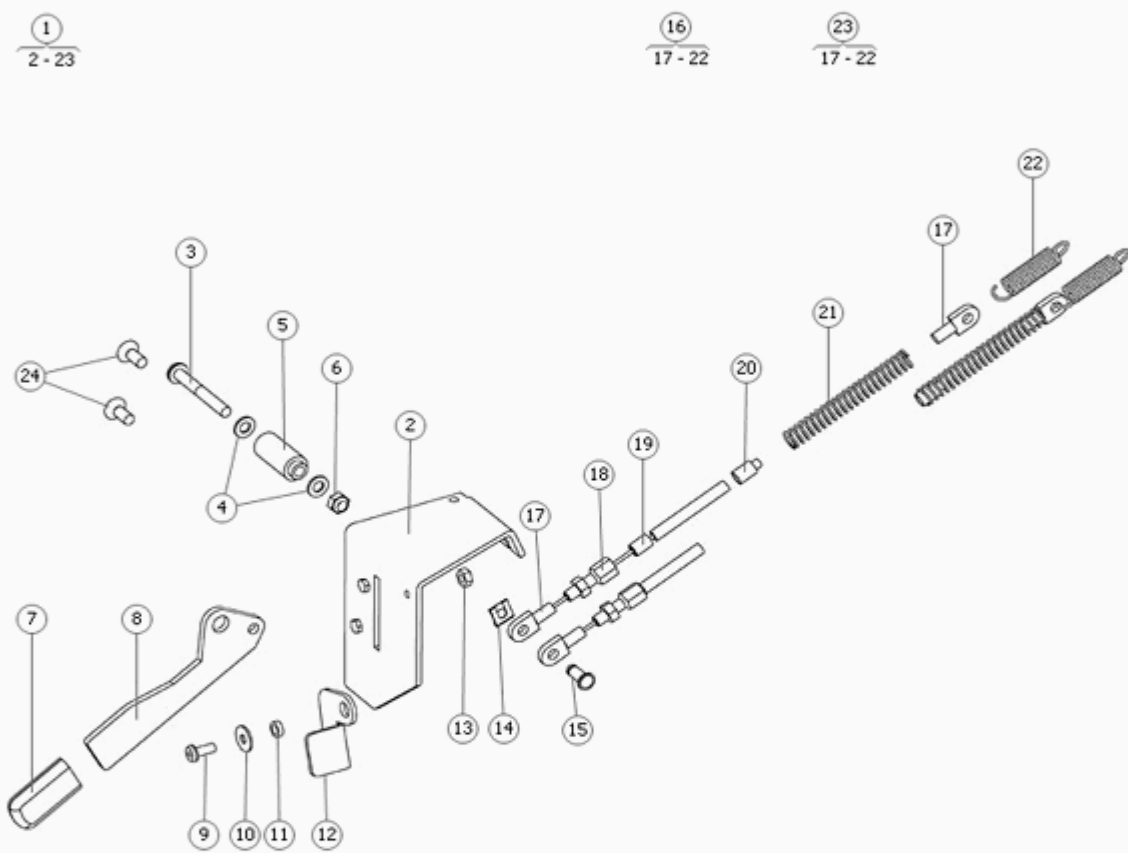
Pos	Qty	Stock Code	Description	Remark
1	1	1822627	CHASSIE C500	THE BREAK RELEASE, PAGE 12, BELONGS TO T..
2	1		CHASSIE	
3	6		SCREW, ISO 7380 M5x6 fzb	
4	1	313948-99-1	COVERPLATE DRIVE MOTOR	
5	2	602027-99-0	BOLT M6S 10x100 fzb	
6	4	601296-99-0	WASH BRB 4.3x 9x0.8 fzb	
7	4	601161-99-0	BOLT M6S 5x10 fzb	
8	4	600227-99-0	LOCK NUT M6 fzb ISO 7040	
9	2		BOLT, ISO 4014 M6x40 fzb	
10	6	600238-99-0	WASH BRB 6.4x12x1.5 fzb	
11	2		WASHER, ISO 7093-1 6,4x18x1,6 fzb	
12	2	602786-99-0	BOLT M6S 6x35	
13	2	600241-99-0	WASH BRB 10.5x20x2 fzb	
14	1	312872-99-2	DECAL HOOKBRACKET	FASTENING HOOK LEFT
15	1	312871-99-1	DECAL HOOKBRACKET	FASTENING HOOK RIGHT
16	1	312868-28-1	LINK C500	
17	1		BRACKET, COVER RIGHT	
18	2	308938-99-0	BUSHING LINK CH2k	
19	1		BRACKET, COVER LEFT	
20	1	312869-28-2	LINK C500	
21	1	313947-99-2	COVERPLATE DRIVE MOTOR	
22	3		CLIP NUT, M6	
23	2		ANGLE	
24	2	601296-99-0	WASH BRB 4.3x 9x0.8 fzb	
25	2	601187-99-0	BOLT K6S 4x10 fzb	
26	2	313841-00-0	PROTECT CABLE C400	
27	4	601158-99-0	QUICK MOUNT CLAMP	
27	4	601158-99-0	QUICK MOUNT CLAMP	
28	2	313717-00-0	COVER BATTERYBOX C4,500	
29	1		PLATE	
29	1		PLATE	
30	2	601366-99-0	BOLT K6S 4x 6 fzb	
31	2	601296-99-0	WASH BRB 4.3x 9x0.8 fzb	
32	2	309349-00-0	LIFT BELT BATTERY CH2k	
32	2	1820532	LIFT BELT BATTERY	
33	1		STICKER	SERIAL NO. CHASSIE
34	2		GROMMET	
35	1	313897-00-2	BATTERIBOX LID LEFT C500	
36	2		STICKER	
37	1		RUBBER PROTECT STD, LEFT	
38	1		PLATE	
39	4	601102-99-0	BOLT K6S 4x12 fzb	
40	8	601296-99-0	WASH BRB 4.3x 9x0.8 fzb	
41	4	600225-99-0	LOCK NUT M4 FZB	
42	2	602783-99-0	REFLECTOR SIDE CH2k	
42	2	602783-99-0	REFLECTOR SIDE CH2k	
43	2	601871-00-0	STAR HANDLE WN 795 6x15	
43	2	601871-00-0	STAR HANDLE WN 795 6x15	
44	2	600238-99-0	WASH BRB 6.4x12x1.5 fzb	
45	2	602788-99-0	LOCK WASH S-LOCK 5x12 fzb	
45	2	602788-99-0	LOCK WASH S-LOCK 5x12 fzb	
46	1		PLATE	
47	1		RUBBER PROTECT STD, RIGHT	
48	1		RUBBER PROTECT S-MOD, LEFT	
49	2		STICKER	C500-10/12
50	1		RUBBER PROTECT S-MOD, RIGHT	
51	1	313889-00-1	BATTERIBOX LID RIGHT C500	
52	1	313881-00-1	BATTERIBOX LID RI C500	
53	1	313880-00-2	BATTERYBOX LID LEFT C500S	
54	2	309320-00-0	SHOCK ABSORBER INCL	
55	1	1825306	ARM MAIN SWITCH C400 C500	
56	1		ARM	
57	1	601823-00-0	PLAST KNOB RECT 4x16x30	
58	1		SPACER	
59	1	601381-99-0	BOLT K6S 4x 8 fzb	



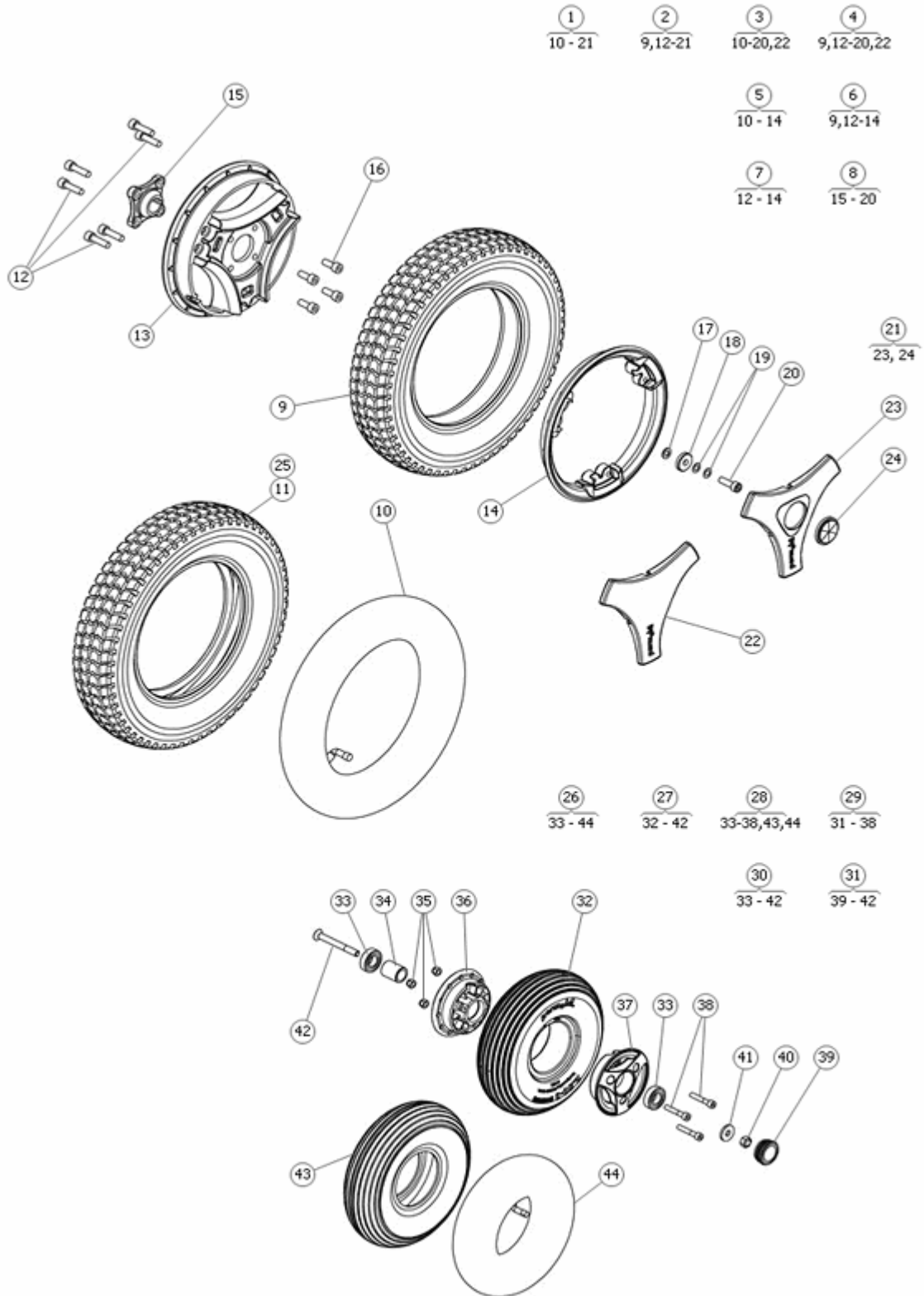
Pos	Qty	Stock Code	Description	Remark
1	1	313897-00-2	BATTERIBOX LID LEFT C500	
2	2		STICKER	
3	1		RUBBER PROTECT STD, LEFT	
4	1		PLATE	
5	4	601102-99-0	BOLT K6S 4x12 fzb	
6	8	601296-99-0	WASH BRB 4.3x 9x0.8 fzb	
7	4	600225-99-0	LOCK NUT M4 FZB	
8	2	602783-99-0	REFLECTOR SIDE CH2k	
8	2	602783-99-0	REFLECTOR SIDE CH2k	
9	2	601871-00-0	STAR HANDLE WN 795 6x15	
10	2	600238-99-0	WASH BRB 6.4x12x1.5 fzb	
11	2	602788-99-0	LOCK WASH S-LOCK 5x12 fzb	
12	1		PLATE	
13	1		RUBBER PROTECT STD, RIGHT	
14	1		RUBBER PROTECT S-MOD, LEFT	
15	2		STICKER	C500-10/12
16	1		RUBBER PROTECT S-MOD, RIGHT	
17	1	313889-00-1	BATTERIBOX LID RIGHT C500	
18	1	313881-00-1	BATTERIBOX LID RI C500	
19	1	313880-00-2	BATTERYBOX LID LEFT C500S	
20	1	1825307	BATTERY LID C500 RIGHT V.	
21	1		Rubber protect right	
22	1		Plate right	
23	2		Sticker	
24	2	601871-00-0	STAR HANDLE WN 795 6x15	
25	2	600238-99-0	WASH BRB 6.4x12x1.5 fzb	
26	1	602788-99-0	LOCK WASH S-LOCK 5x12 fzb	
27	2	1821755	CLIP NUT M6 KIT	
28	8	600829-99-0	WASH BRB 4.3x12x 1 fzb	
29	8		Screw ISO 7049 3,5x8 F Z Fe/Zn	
30	2	1820324	REFLECTOR SIDE STR EN	
31	1		Rubber protect left	
32	1		Plate left	
33	1	1825308	BATTERY LID C500 LEFT V.2	



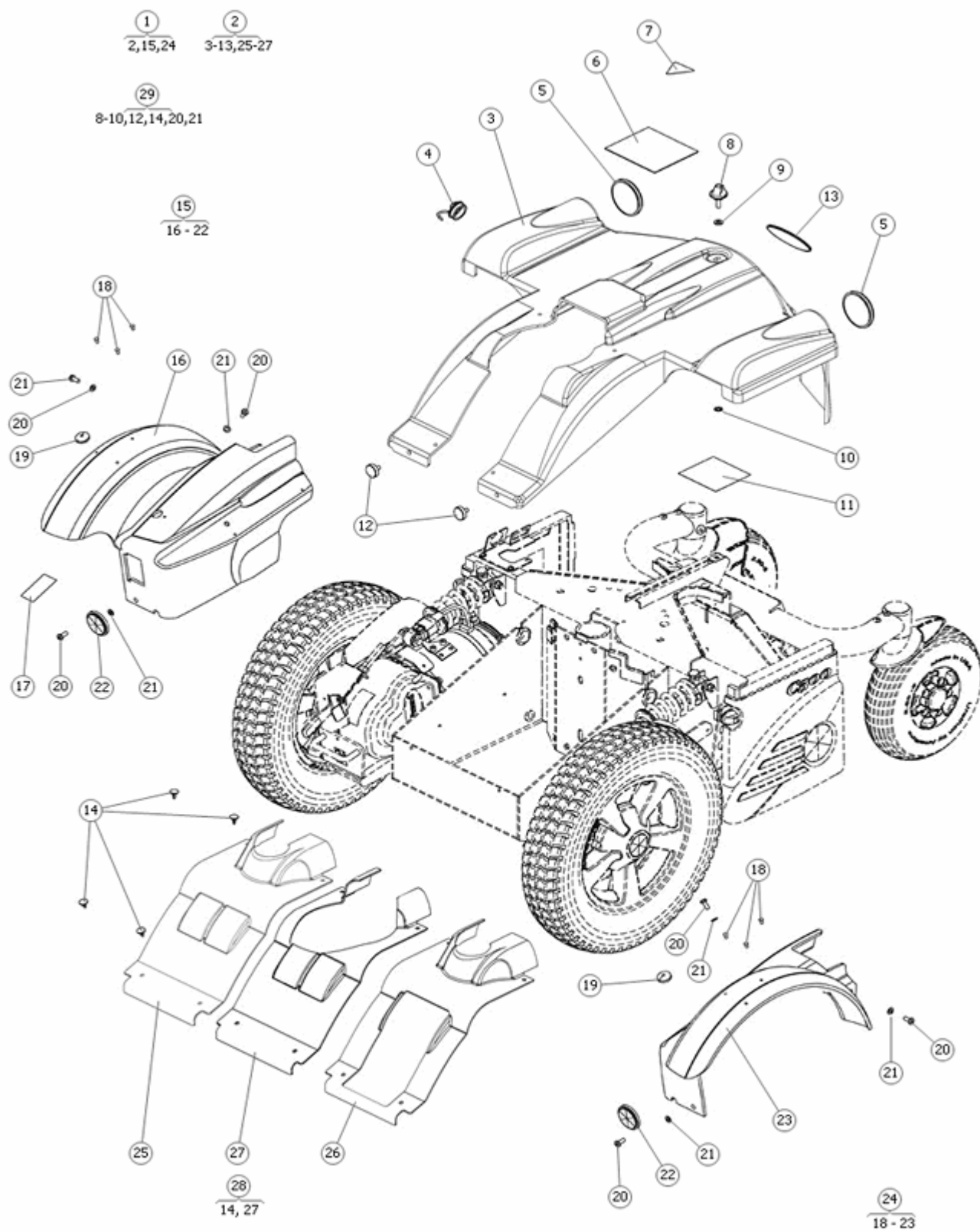
Pos	Qty	Stock Code	Description	Remark
1	1	313653-28-0	SUPPORT WHEEL KIT C4,500	
2	1		BRACKET	
3	1		BRACKET	
4	2		WHEEL, Ø100x32	
5	4	601427-99-0	WASH BRB 8,4x15x1,6 fzb	
6	2	600228-99-0	LOCK NUT M8 FZB	
7	2	602631-99-0	BOLT K6S 8x50 fzb	
8	3	600239-99-0	WASH BRB 8,4x16x1,6 fzb	
9	3	601410-99-0	BOLT M6S 8x25 fzb	
10	1		STICKER	
11	1	612512-99-0	SKRUV MC6S 8x 25 fzb ESL	
12	2	612531-99-0	SPACER DB 8x14x0,5	
13	1	612513-99-0	BR 8,4x26x5 HB 305 GUL	
14	1	1821250	WASH 8,4x 15x 1,5 NYLON	
15	1	603060-99-0	KEY RK 6x6x16 GEAR KO	
15	1	600855-99-0	KEY 6x6x22 DRIVE SHAFT	
16	1	1820306	SCREW KIT DRIVE WHEEL	
17	1	309052-99-0	HUB CAP KO TR EN ENP+	
18	1		RIM	
19	1	309351-19-0	RIM 3,00-8" FRONT CH2k KO	
20	1	600770-99-0	TUBE 3,00- 8 FRONT CH2k	
21	1	1824843	TIRE 3,00-8 AIR 4PR GREY	
22	1	1820719	WHEEL 3,00- 8" INCL KEYS	
22	1	309352-99-0	WHEEL 3,00-8" FRONT CH2k	
23	1	306963-99-0	BRACK WIRE BRAKE REL V.3	
24	2	600189-99-0	BOLT MC6S 5x10 fzb	
25	1	310257-99-0	MAGN W LOCK DRIVEUNIT V.2	
26	1		HUB	
27	1	307804-00-0	RUBBER PROTECT MAGNETIC	
28	1	307789-99-0	BRAKE DISK CH2K CH8 KO	
29	1	602109-00-0	RUBBER RING 69,57x1,78	
30	1		BRAKE	
31	1	307805-00-0	PLAST PLUG BRAKE KO	
32	1	601822-09-0	CONN BLOCK 2-PIN ELP	
33	1	601977-99-0	RECEPTACLE JST	
34	1	311277-99-0	DRIVMOT/GEAR 18:1 CH2S-12	
35	1	311266-99-0	DRIVMOT/GEAR 19,53:1	
35	1	1823394	DRIVM/GEAR 19,5:1 RIGHT	
35	1	1823395	DRIVM/GEAR 19,5:1 LEFT	
36	1	308555-99-0	DRIVMOT/GEAR 25,8:1 V.2	BETWEEN 21/9 - 23/10-07 CHECK WICH MOTOR...
36	1	1822726	DRIV MOT/GEAR 7,5 KM/H RI	BETWEEN 21/9 - 23/10-07 CHECK WICH MOTOR...
36	1	1822727	DRIV MOT/GEAR 7,5 KM/H LE	BETWEEN 21/9 - 23/10-07 CHECK WICH MOTOR...
37	1		DRIVING UNIT	LEFT
38	1		DRIVING UNIT	LEFT
39	1		DRIVING UNIT	LEFT
40	1		DRIVING UNIT	RIGHT
41	1		DRIVING UNIT	RIGHT
42	1		DRIVING UNIT	RIGHT



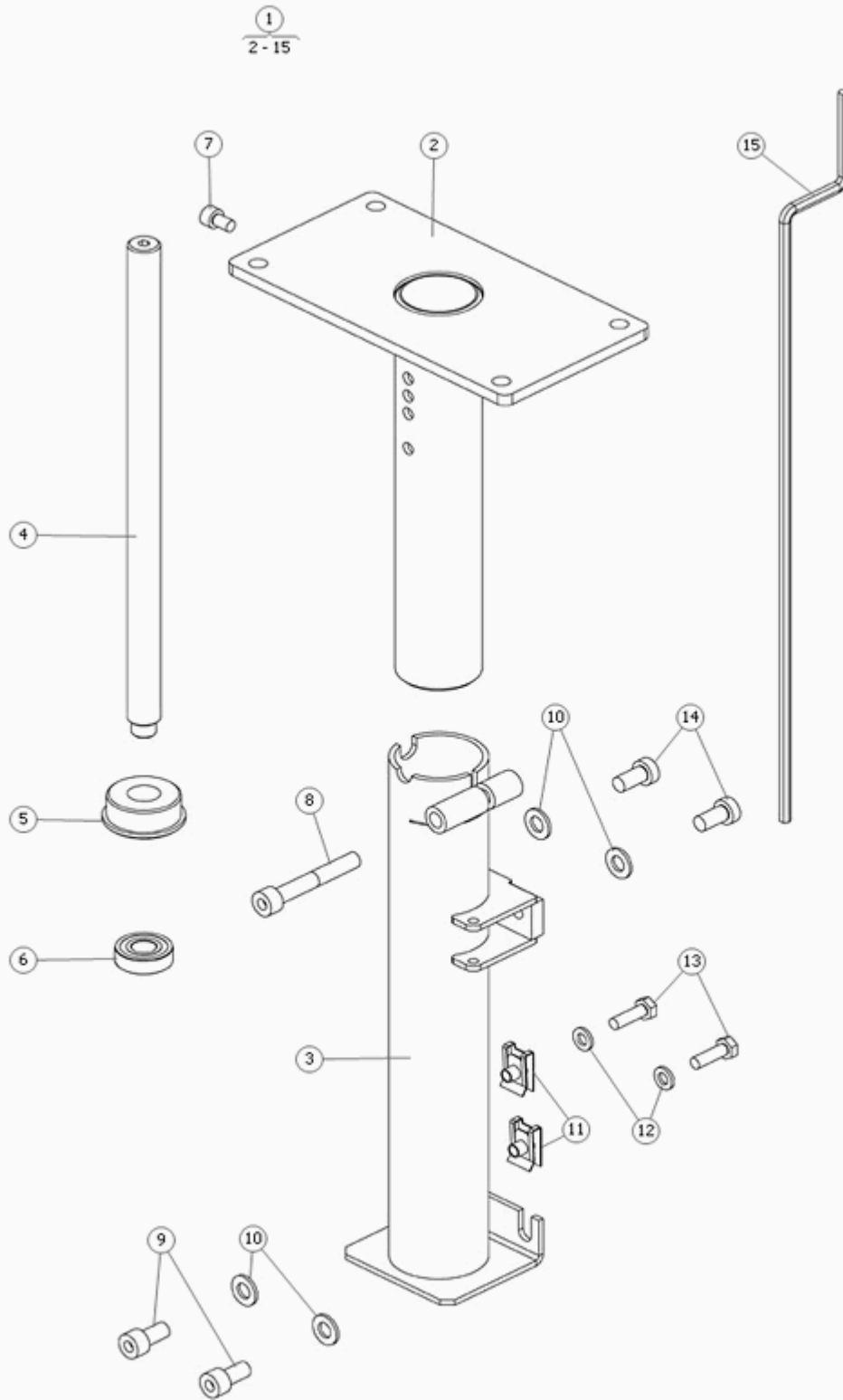
Pos	Qty	Stock Code	Description	Remark
1	1		BRAKE RELEASE, TWO GRIPS	BELONGS TO STOCK CODE 313902, PAGE 8.
2	1		PLATE	
3	1	601706-99-0	BOLT K6S 5x40 fzb	
4	2	600237-99-0	WASH BRB 5.3x10x 1 fzb	
5	1		SPACER	
6	1	600226-99-0	LOCK NUT M5 FZB	
7	1	601823-00-0	PLAST KNOB RECT 4x16x30	
8	1		ARM	
9	1	601187-99-0	BOLT K6S 4x10 fzb	
10	1	600829-99-0	WASH BRB 4.3x12x 1 fzb	
11	1		SPACER, 4,3x7x2,3 PA 6	
12	1		LOCK	
13	1	600231-99-0	NUT M6M 4 fzb	
14	1	603083-99-0	SCHACKLE SL 05 BRAKE REL	
15	1		COTTER	
16	1		WIRE, L=220	
17	4		SOLDERED NIPPLE, Ø5	
18	2		ADJUSTING SCREW, M5x0,8	
19	2		SOCKET, Ø6x5,3x3	
20	2		SOCKET, Ø6,5x0,6, Ø4x0,75	
21	2		SPRING, TF 1x7x65	
22	2	602107-99-0	SPRING 1.2x 8x 30	
23	1	308995-99-0	WIRE 935 BRAKE REL CH2k	
24	2	601388-99-0	BOLT MF6S 5x12 fzb	



Pos	Qty	Stock Code	Description	Remark
1	0	1822972	WHEEL 3.00- 8" EU AIR ALU	Silver colored hub cap.
2	0	1824096	WHEEL 3.00x8 EU SOLID ALU	Silver colored hub cap.
3	0	1822973	WHEEL 3.00x8 US AIR ALU	Silver colored hub cap.
4	0	1822978	WHEEL 3.00- 8" US SOLID	Silver colored hub cap.
5	0	1822971	WHEEL 3.00- 8" AIR 3-SPOK	
6	1	1822977	WHEEL 3.00- 8" SOLID ALU	
7	0	1822232	RIM 1,5x8" 3-SPOKE	
8	1	1822435	HUB DRIVE MOTOR	
9	1	1822361	TIRE 3,00-8" SOLID	
10	1	600770-99-0	TUBE 3.00- 8 FRONT CH2k	
11	1	1824843	TIRE 3.00-8 AIR 4PR GREY	
12	6	600880-99-0	BOLT MC6S 8x 30 fzb	
13	1		RIM INNER	
14	1		RIM OUTER	
15	1		HUB	
16	4	600203-99-0	BOLT MC6S 8x 20 fzb	
17	1	1821250	WASH 8,4x 15x 1,5 NYLON	
18	1	612513-99-0	BR 8.4x26x5 HB 305 GUL	
19	2	612531-99-0	SPACER DB 8x14x0,5	
20	1	612512-99-0	SKRUV MC6S 8x 25 fzb ESL	
21	1	1822231	HUB CAP BLACK ONYX	Black onyx
21	1	1822263	HUB CAP RED 3-SPOKE	Red
21	1	1822264	HUB CAP BLUE 3-SPOKE	Blue
21	1	1822265	HUB CAP BLACK MET 3-SPOKE	Black metallic
21	1	1822266	HUB CAP SILVER 3-SPOKE	Silver
21	1	1822267	HUB CAP YELLOW 3-SPOKE	Yellow
21	1	1823036	HUB CAP GREEN METALLIC 3-	Green metallic
21	1	1823037	HUB CAP PINK 3-SPOKE	Pink
21	1	1823038	HUB CAP TITAN BLUE	Titan blue
22	0		HUB CAP	
23	1		HUB CAP PLASTIC	
24	0	1820324	REFLECTOR SIDE STR EN	
25	1	600878-08-0	TIRE 3.00- 8 DEEP TREAD	
26	0	1824218	WHEEL 210x65 AIR 3-SPOKE	
27	0	1822415	WHEEL 210x65 SOLID 3-	
28	0	317447-99-0	HJUL 210x65 LUFT 3-EKRAD	
29	0		WHEEL 210x65 SOLID 3-SPOKE	
30	0	1822416	RIM 210x65 3-SPOKE	
31	0	1822417	BOLT KIT WHEEL 3-SPOKE	
32	1	612397-08-0	TIRE 210x65 SOLID	
33	2	600752-99-0	BALL BEAR 6002-2RS1	
34	1	316386-99-0	SPACER	
35	3	1821261	LOCK NUT M6 HIGH fzb	
36	1		RIM INNER 210x65	
37	1		RIM OUTER 210x65	
38	3	601333-99-0	BOLT MC6S 6x35 fzb	
39	1	1823146	PLASTIC PLUG RIM	
40	1	600228-99-0	LOCK NUT M8 FZB	
41	1	305390-99-0	WASH 8.5x23x3 fzb	
42	1	1821264	SCREW MF6S 8x 70 fzb 10,9	
43	1	602569-08-0	TIRE 210x65 REAR AIR	
44	1	602568-99-0	TUBE 210x65 REAR CH2k	



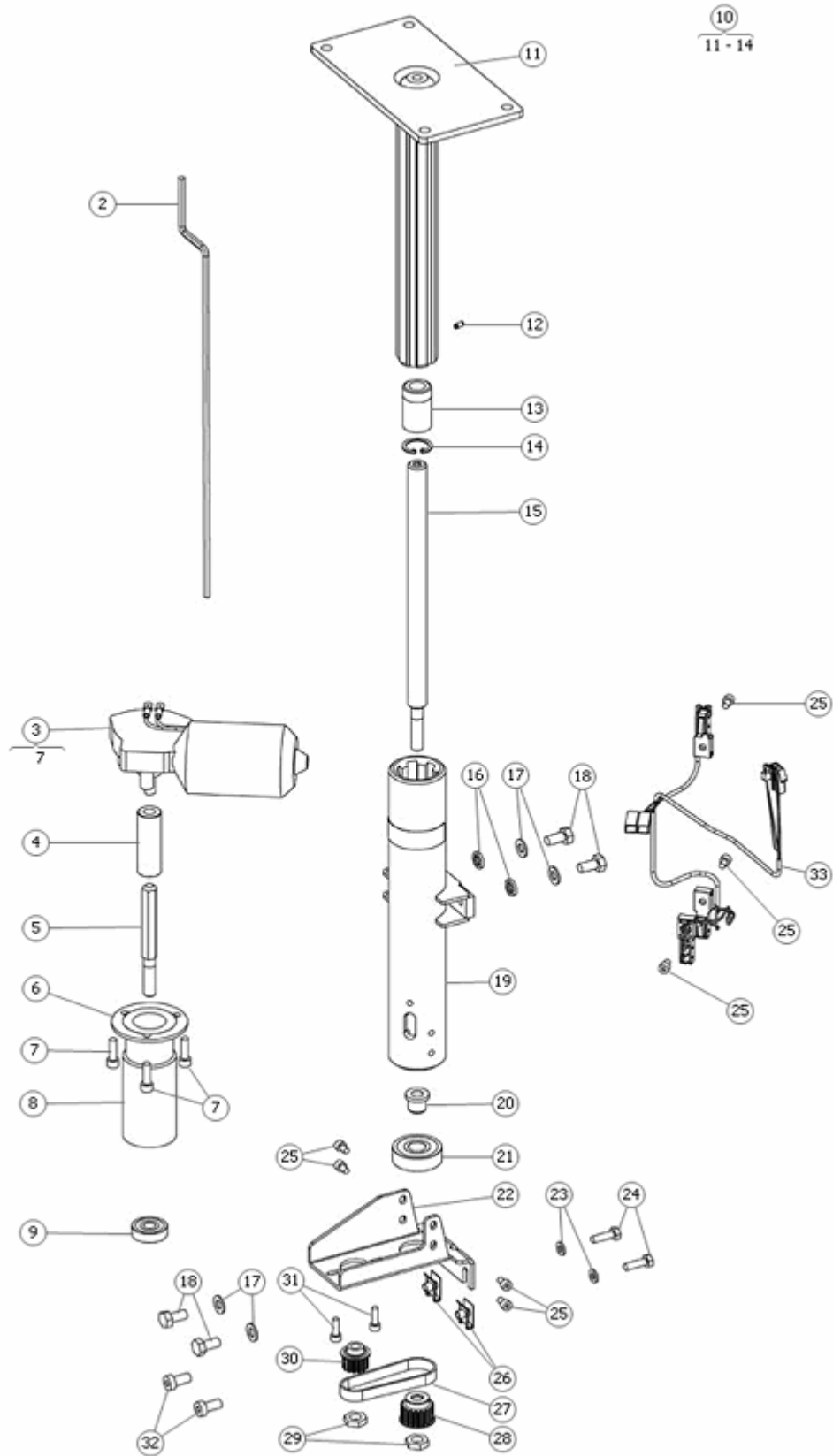
Pos	Qty	Stock Code	Description	Remark
1	1		COVERS	CARBON FIBRE/SILVER
1	1	1824214	COVERSET INCL REFL C500	RED METALLIC
1	1	1824215	COVERSET INCL REFL C500	GREEN METALLIC
1	1	1824216	COVERSET INCL REFL C500	BLUE METALLIC
1	1	1824217	COVERSET INCL REFL C500	BLACK METALLIC
2	1	1820724	COVER REAR RED INCL REFL	RED METALLIC
2	1	1820725	COVER REAR DARK GREEN	DARK GREEN METALLIC
2	1	1820726	COVER REAR CARBON/SILVER	CARBON FIBER/SILVER
2	1	1824216	COVERSET INCL REFL C500	DARK BLUE METALLIC
2	1	1824217	COVERSET INCL REFL C500	BLACK METALLIC
3	1		COVER	RED METALLIC
3	1		COVER	DARK GREEN METALLIC
3	1		COVER	CARBON FIBER SILVER
3	1		COVER	DARK BLUE METALLIC
3	1		COVER	BLACK METALLIC
4	1	313622-00-0	COVER CHARGE CONN C4.500	ROUND RUBBER PLUGG
4	1	1824407	PROTECTION COVER	REKTANGULAR LID WITH BOLT AND NUTS
5	2	602567-99-0	REFLECTOR REAR CH2k	
5	2	1821057	REFLECTOR REAR Ø 40 RED	WITH LIGHTS
6	1	1823067	DECAL SET C500	Set incl all stickers for cover mount
7	2	313891-99-0	DECAL SEAT TILT WARNING	
7	1	1823067	DECAL SET C500	Set incl all stickers for cover mount
8	1	601871-00-0	STAR HANDLE WN 795 6x15	
9	1	600238-99-0	WASH BRB 6.4x12x1.5 fzb	
10	1	602788-99-0	LOCK WASH S-LOCK 5x12 fzb	
11	1	1823067	DECAL SET C500	Set incl all stickers for cover mount
12	2	602391-99-0	STAR HANDLE 71-020 M5x12	
13	1	306200-99-0	DEKAL "PERMOBIL"	
13	1	1823067	DECAL SET C500	Set incl all stickers for cover mount
14	4	601158-99-0	QUICK MOUNT CLAMP	
15	1		COVER ASSEMBLY, FRONT RIGHT	RED METALLIC
15	1		COVER ASSEMBLY, FRONT RIGHT	DARK GREEN METALLIC
15	1		COVER ASSEMBLY, FRONT RIGHT	CARBON FIBRE/SILVER
15	1		COVER ASSEMBLY, FRONT RIGHT	DARK BLUE METALLIC
15	1		COVER ASSEMBLY, FRONT RIGHT	BLACK METALLIC
16	1	314001-12-1	FENDER FRONT C500	RED METALLIC
16	1	314001-25-1	FENDER FRONT C500	DARK GREEN METALLIC
16	1	314001-39-1	FENDER FRONT C500	CARBON FIBRE/SILVER
16	1		FENDER FRONT C500	DARK BLUE METALLIC
16	1	314001-50-1	FENDER FRONT C500	BLACK METALLIC
17	1	1823067	DECAL SET C500	Set incl all stickers for cover mount
18	6	601753-00-0	PLAST PLUG 93-02	
19	2	310159-00-0	CABLE GROMMET FRONTFENDER	
20	6	601159-99-0	BOLT K6S 5x12 fzb	
21	6	600237-99-0	WASH BRB 5,3x10x 1 fzb	
22	2	1820314	REFLECTOR FRONT WHITE STR	
23	1	314000-12-2	FENDER FRONT C500	RED METALLIC
23	1	314000-25-2	FENDER FRONT C500	DARK GREEN METALLIC
23	1	314000-39-2	FENDER FRONT C500	CARBON FIBRE/SILVER
23	1		FENDER FRONT C500	DARK BLUE METALLIC
23	1	314000-50-2	FENDER FRONT C500	BLACK METALLIC
24	1		COVER ASSEMBLY, FRONT LEFT	RED METALLIC
24	1		COVER ASSEMBLY, FRONT LEFT	DARK GREEN METALLIC
24	1		COVER ASSEMBLY, FRONT LEFT	CARBON FIBRE/SILVER
24	1		COVER ASSEMBLY, FRONT LEFT	DARK BLUE METALLIC
24	1		COVER ASSEMBLY, FRONT LEFT	BLACK METALLIC
25	1	313924-00-0	PROTECT HOUSE S.ELEV C500	
26	1	313928-00-0	PROTECT HOUSE S.ELEV LOW-	
27	1		COVER, FRONT	FOR MIT-SEAT ELEVATOR
28	1	1822064	COVER SEAT ELEVATOR	
29	1	1824894	HARDWARE KIT COVERS	



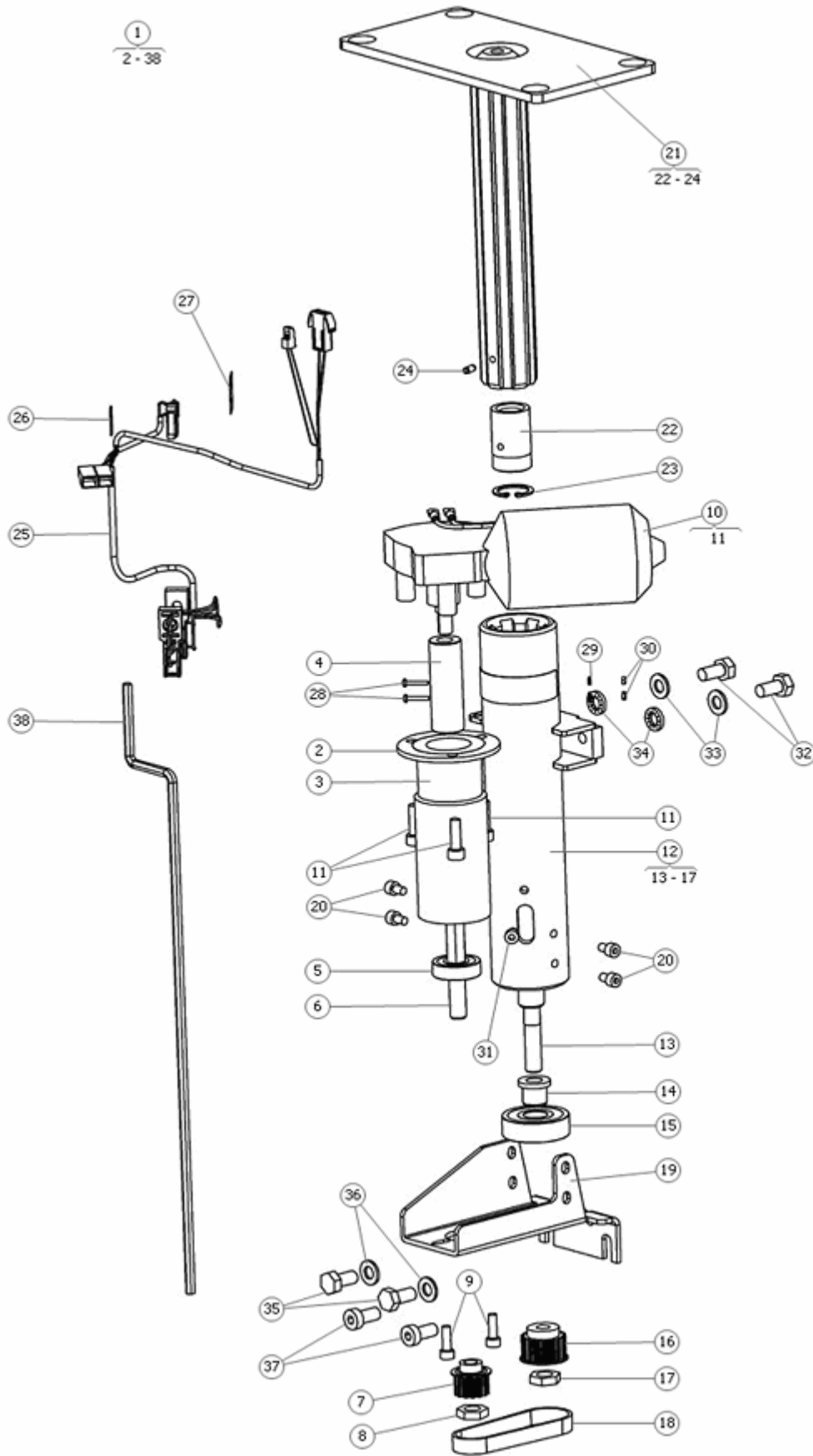
Pos	Qty	Stock Code	Description	Remark
1	1	1821778	SEAT TUBE FIXED C4,500	
1	1	308732-99-0	SEATUBE FIXED CH CH2k	
2	1		INNER TUBE	
3	1		OUTER TUBE	
4	1		SCREW SEAT TUBE FIXED	
5	1		BUSH SEAT TUBE FIXED	
6	1	600037-99-0	BALL BEAR 6001-2RS1	
7	1	600888-99-0	BOLT MC6S 6x10 fzb	
8	1	601157-99-0	BOLT MC6S 8x 55 fzb	
9	2	600590-99-0	BOLT MC6S 8x 16 fzb	
10	4	600239-99-0	WASH BRB 8.4x16x1.6 fzb	
11	2	603061-99-0	NUT FLAT CLIP NUT956 M6	
12	2	600238-99-0	WASH BRB 6.4x12x1.5 fzb	
13	2	600222-99-0	BOLT M6S 6x20 fzb	
14	2		SCREW, DIN 7984 M8x16 fzb	
15	1	303668-99-0	SEAT ELEV KEY	

①
2 - 33

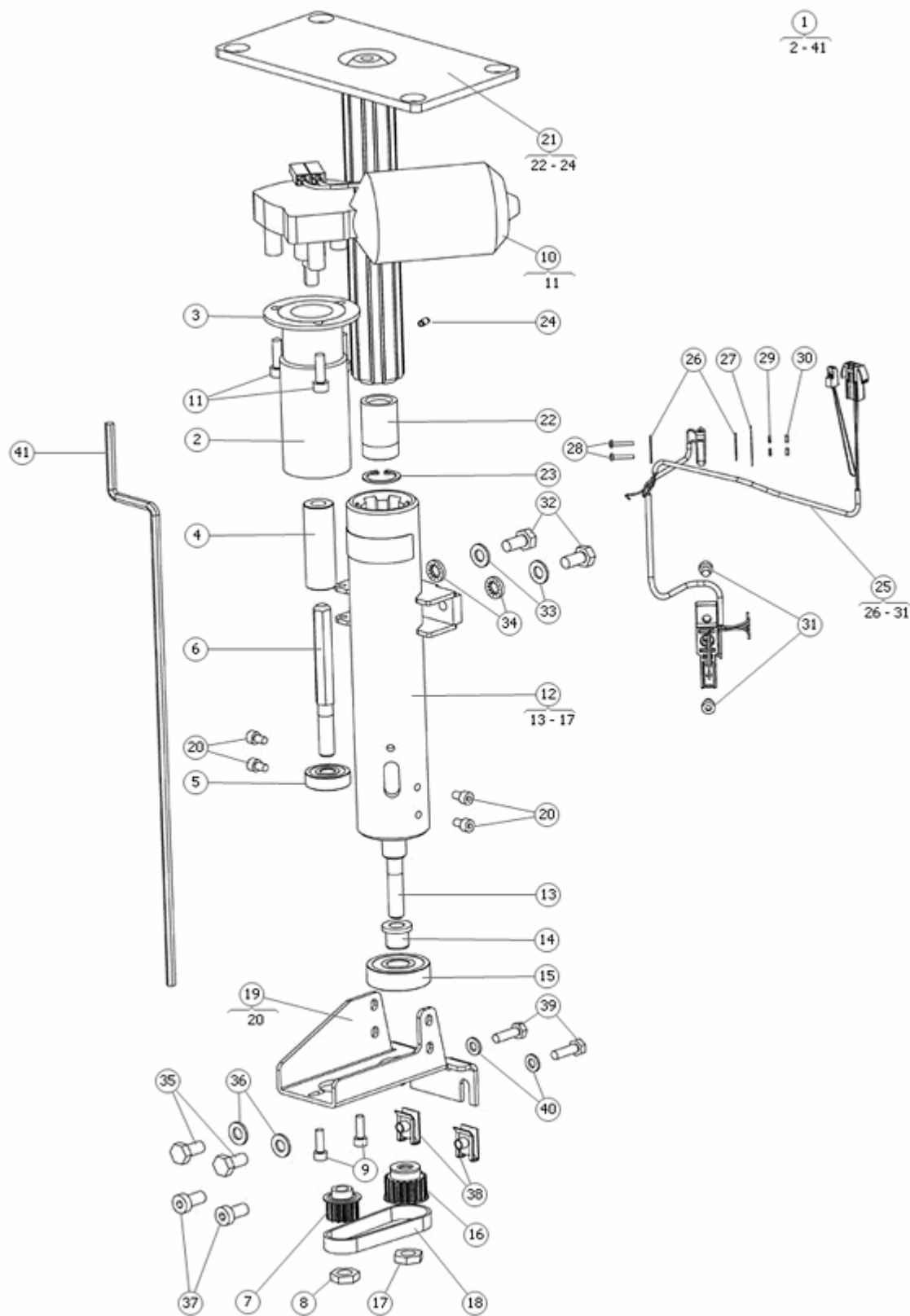
⑩
11 - 14



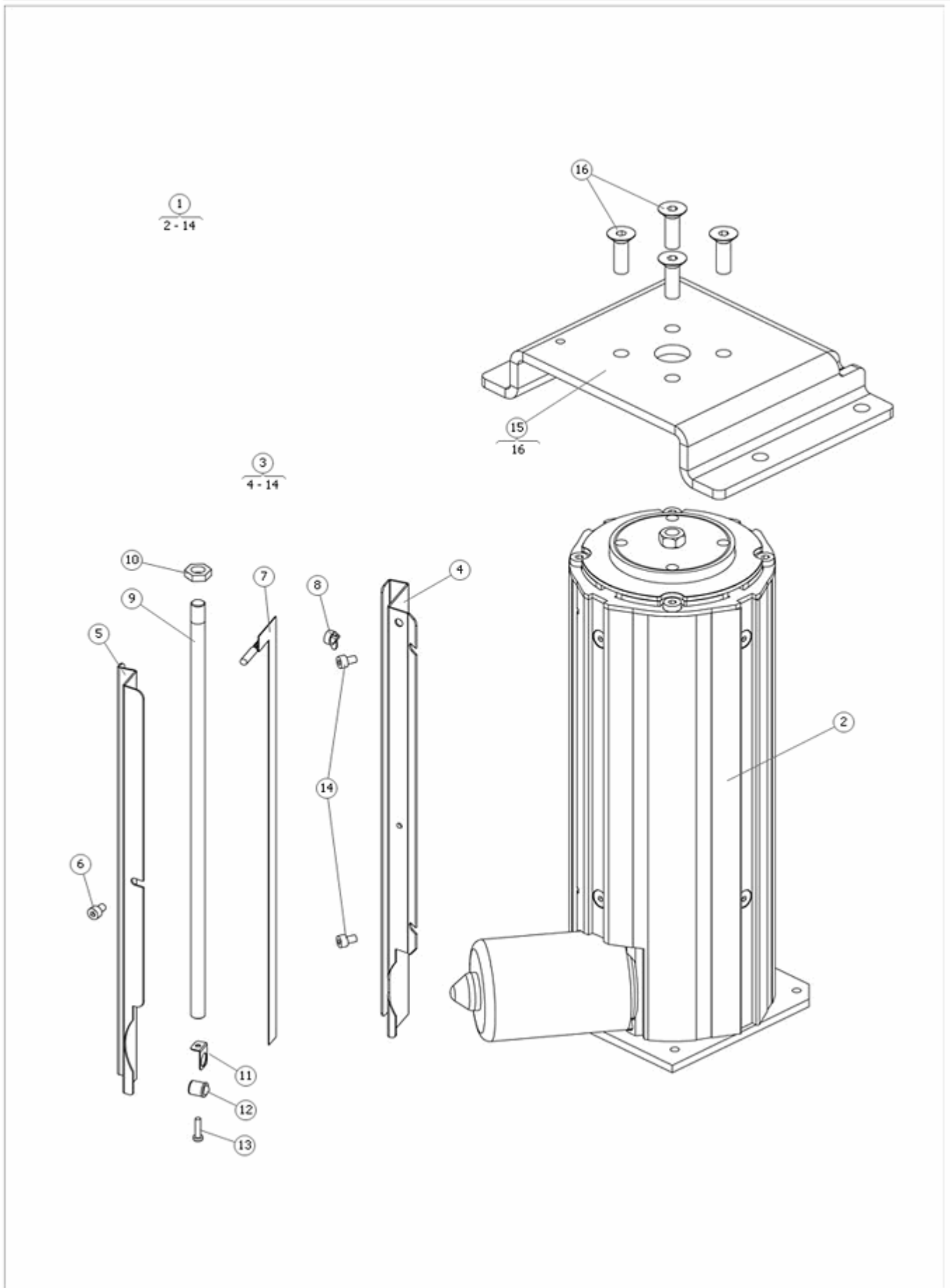
Pos	Qty	Stock Code	Description	Remark
1	1	312402-99-0	SEAT ELEV CH CHP+ CH2K	STD V.3
2	1	303668-99-0	SEAT ELEV KEY	
3	1	1820425	MOTOR SEAT ELEVATOR C300	
4	1	309087-99-0	PLASTIC SLEEVE SEAT ELEV	
5	1		SCREW	
6	1		PLATE	
7	3	600194-99-0	BOLT MC6S 6x20 fzb	
8	1		SOCKET	
9	1	601471-99-0	BALL BEAR 6200-1RS1	
10	1	302280-99-0	INNER TUBE SEAT ELEV V.2	
11	1		INNER TUBE	
12	1		SPRING PIN ISO 8750 4x8	
13	1		NUT	
14	1		CIRCLIP, DIN 472 Ø24	
15	1		SCREW	
16	2		WASHER, DIN 6798J 8,4x15x0,8 fzb	
17	4	600239-99-0	WASH BRB 8.4x16x1.6 fzb	
18	4	602124-99-0	BOLT M6S 8x 16 fzb ESL	
19	1		OUTER TUBE	
20	1		SOCKET	
21	1	600709-99-0	BALL BEAR 6302-2RS1	
22	1		BRACKET	
23	2	600238-99-0	WASH BRB 6,4x12x1,5 fzb	
24	2	600222-99-0	BOLT M6S 6x20 fzb	
25	7	600188-99-0	BOLT MC6S 5x 8 fzb	
26	2	603061-99-0	NUT FLAT CLIP NUT956 M6	
27	1	600892-99-0	DRIVE SEAT ELEV	
28	1		TIMING BELT PULLEY	
29	2	601855-99-0	NUT ML6M 10 fzb	
30	1		TIMING BELT PULLEY	
31	2	601165-99-0	BOLT MC6S 5x16 fzb	ISO 4762 M5x16 fzb
32	2		SCREW, DIN 7984 M8x16 fzb	
33	1	311195-99-0	CABLE SEAT ELEV P+	



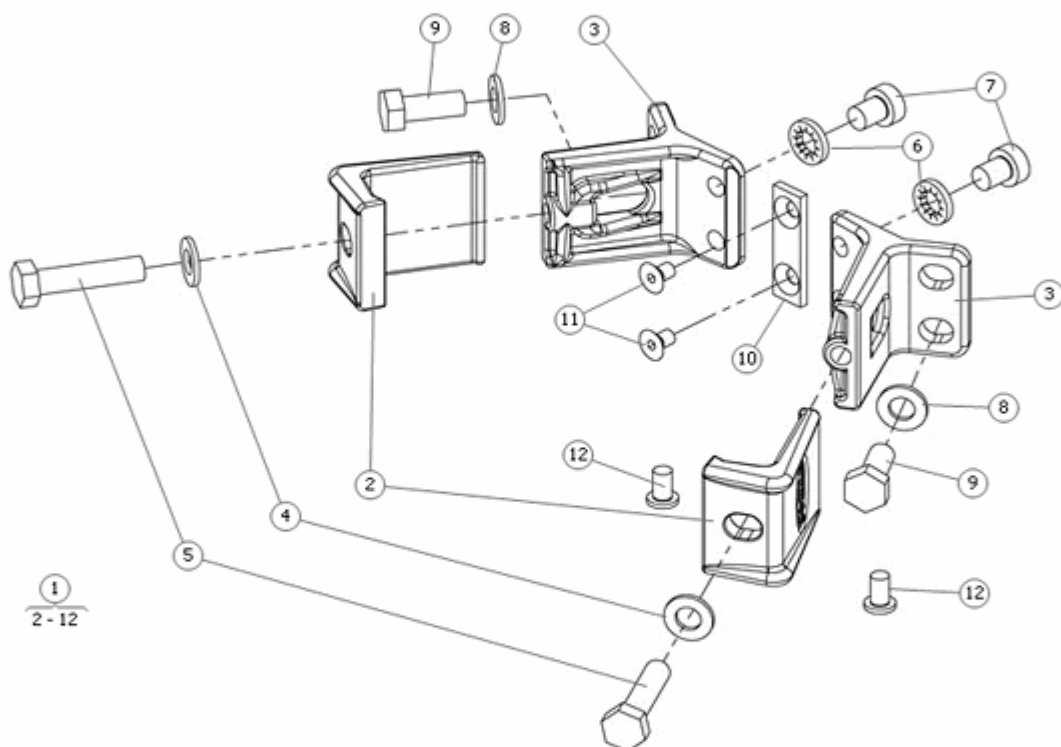
Pos	Qty	Stock Code	Description	Remark
1	1	312528-99-0	SEATELEV -60 V.2 CH2k	
2	1		PLATE	
3	1		SOCKET	
4	1	309087-99-0	PLASTIC SLEEVE SEAT ELEV	
5	1	601471-99-0	BALL BEAR 6200-1RS1	
6	1		SCREW MOTOR SHAFT	
7	1		WHEEL	
8	1	601855-99-0	NUT ML6M 10 fzb	
9	2	601165-99-0	BOLT MC6S 5x16 fzb	
10	1	1820425	MOTOR SEAT ELEVATOR C300	
11	3	600194-99-0	BOLT MC6S 6x20 fzb	
12	1		OUTER TUBE	
13	1		SCREW SEATELEVATOR	
14	1		SOCKET	
15	1	600709-99-0	BALL BEAR 6302-2RS1	
16	1		WHEEL	
17	1	601855-99-0	NUT ML6M 10 fzb	
18	1	600892-99-0	DRIVEB SEAT ELEV	
19	1		BRACKET	
20	4	600188-99-0	BOLT MC6S 5x 8 fzb	
21	1	311201-99-0	INNER TUBE SEAT ELEV -60	
22	1		NUT	
23	1		CIRCLIP INTERNAL DIN 472 Ø24	
24	1		SPRING PIN ISO 8750 4x8	
25	1	1824725	CABLE SEAT ELEV. -50,-60	
26	1		WASH 6x18x0.7 M.SWITCH	
27	1		WASHER ISOLATION	
28	2	602560-99-0	BOLT MRX-H 2.3x14 fzb	
29	2	601321-99-0	WASH AZ 2.5x5x0.4 fzb	
30	2	600594-99-0	NUT M6M 2.3 fzb	
31	2	600188-99-0	BOLT MC6S 5x 8 fzb	
32	2	602124-99-0	BOLT M6S 8x 16 fzb ESL	
33	2	600239-99-0	WASH BRB 8.4x16x1.6 fzb	
34	2	601173-99-0	WASH IZ 8.4x15 fzb	
35	2	602124-99-0	BOLT M6S 8x 16 fzb ESL	
36	2	600239-99-0	WASH BRB 8.4x16x1.6 fzb	
37	2		SCREW, DIN 7984 M8x16 fzb	
38	1	303668-99-0	SEAT ELEV KEY	



Pos	Qty	Stock Code	Description	Remark
1	1		SEAT ELEVATOR	
2	1		SOCKET MOTOR SEAT ELEVATOR	
3	1		PLATE	
4	1	309087-99-0	PLASTIC SLEEVE SEAT ELEV	
5	1	601471-99-0	BALL BEAR 6200-1RS1	10x30x9
6	1		SCREW SEAT ELEVATOR	
7	1		WHEEL SEAT ELEVATOR	
8	1	601855-99-0	NUT ML6M 10 fzb	
9	2	601165-99-0	BOLT MC6S 5x16 fzb	
10	1	1820425	MOTOR SEAT ELEVATOR C300	
11	3	600194-99-0	BOLT MC6S 6x20 fzb	
12	1		OUTER TUBE -50 V3	
13	1		SCREW SEAT ELEVATOR -50 V3	
14	1		SOCKET SEAT ELEVATOR	
15	1	600709-99-0	BALL BEAR 6302-2RS1	15x42x13
16	1		WHEEL SEAT ELEVATOR	
17	1	601855-99-0	NUT ML6M 10 fzb	
18	1	600892-99-0	DRIVEB SEAT ELEV	
19	1		BRACKET BOTTOM	
20	4	600188-99-0	BOLT MC6S 5x 8 fzb	
21	1	305106-99-0	INNER TUBE SEAT ELEV -50	
22	1		NUT SEAT ELEVATOR	
23	1		CIRCLIP INTERNAL DIN 472 Ø24	
24	1		SPRING PIN ISO 8750 4x8	
25	1	311195-99-0	CABLE SEAT ELEV P+	
26	2		WASH 6x18x0.7 M.SWITCH	
27	1		WASHER ISOLATION	
28	2	602560-99-0	BOLT MRX-H 2.3x14 fzb	
29	2	601321-99-0	WASH AZ 2.5x5x0.4 fzb	
30	2	600594-99-0	NUT M6M 2.3 fzb	
31	2	600188-99-0	BOLT MC6S 5x 8 fzb	ISO 4762 M5x8 fzb
32	2	602124-99-0	BOLT M6S 8x 16 fzb ESL	
33	2	600239-99-0	WASH BRB 8.4x16x1.6 fzb	
34	2	601173-99-0	WASH IZ 8.4x15 fzb	
35	2	602124-99-0	BOLT M6S 8x 16 fzb ESL	
36	2	600239-99-0	WASH BRB 8.4x16x1.6 fzb	
37	2		SCREW, DIN 7984 M8x16 fzb	
38	2	603061-99-0	NUT FLAT CLIP NUT956 M6	
39	2	600222-99-0	BOLT M6S 6x20 fzb	
40	2	600238-99-0	WASH BRB 6.4x12x1.5 fzb	
41	1	303668-99-0	SEAT ELEV KEY	

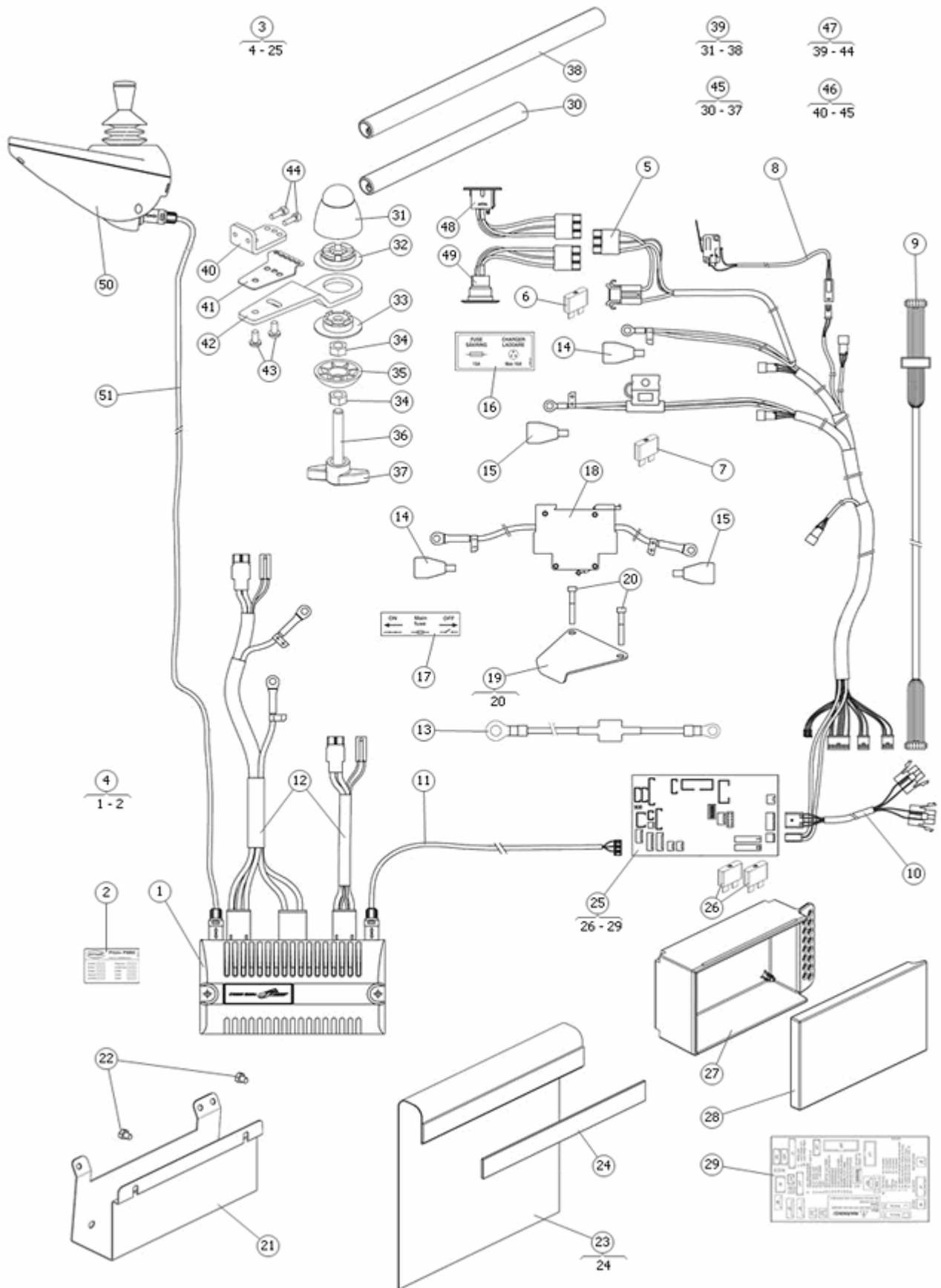


Pos	Qty	Stock Code	Description	Remark
1	1	1821579	SEAT ELEVATOR PILLAR LIFT	
2	1		COLUMN	Not For Sale
3	1	1821581	SOFT POT PILLAR LIFT C500	
4	1		PLATE	
5	1		PLATE	
6	1		SCREW ISO 4762 M4x6 8.8 Fe/Zn 5 C1	
7	1	1821534	SOFT POT INKL KABL/a	
8	1		CABLE TIE 3.5x150 PA6.6	
9	1	1825163	PIN SWITCH SOFTPOT PILLAR	
10	1	600840-99-0	NUT ML6M 8 fzb	
11	1		HOLDER	
12	1		SPRING PLUNGER GN 614-8-KU	
13	1		TAPPING SCREW 3x12 Fe/Zn 5 C1 REMFORM	
14	2		SCREW ISO 4762 M4x6 8.8 Fe/Zn 5 C1	
15	1	1821578	MOUNTING KIT VERTICAL C50	Only used with VS seat
16	4		SCREW ISO 10642 M8x35 10.9 Fe/Zn 5 C1	Only used with VS seat!
17	1		Spacer plate	



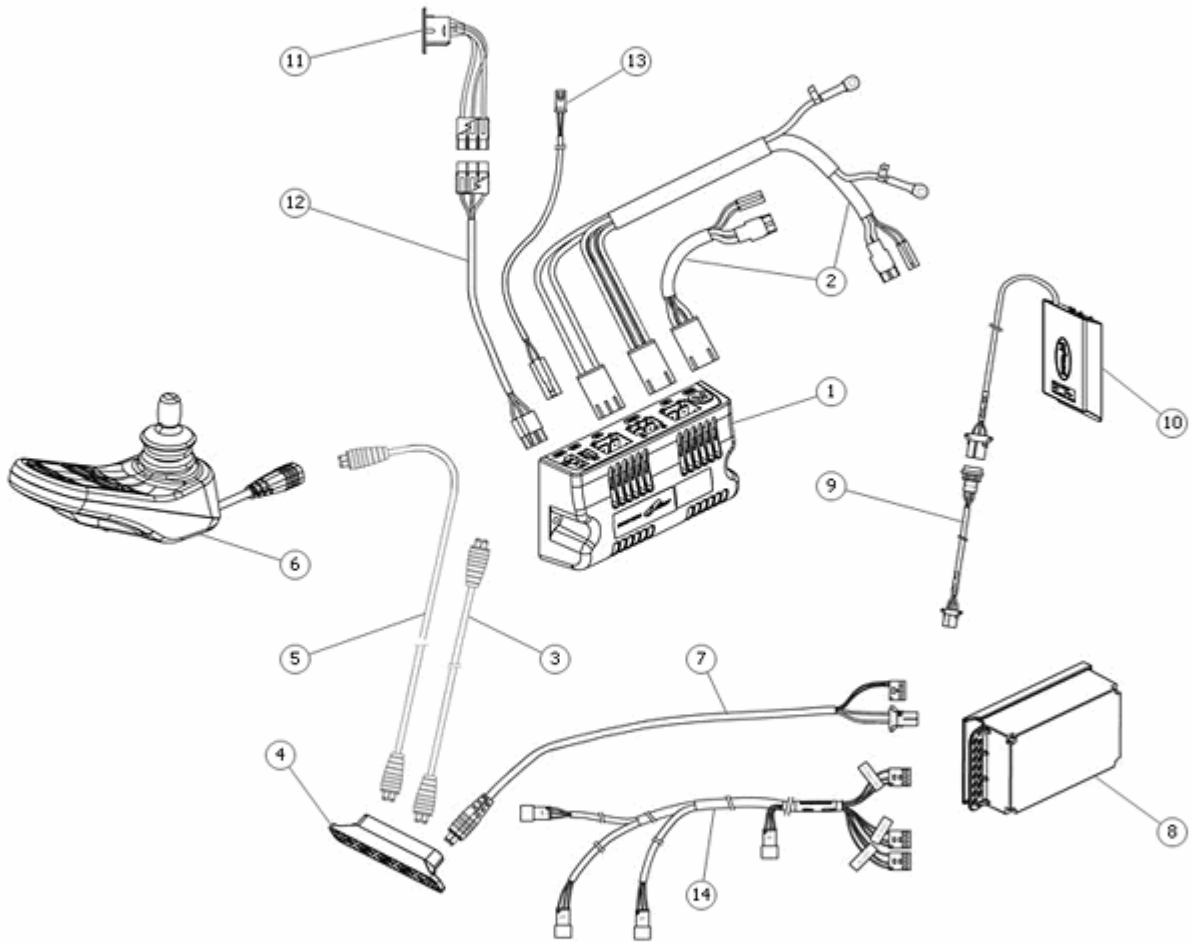
1
2 - 12

Pos	Qty	Stock Code	Description	Remark
1	1	1821577	MOUNTING KIT PILLAR LIFT	
2	2		HOOK	
3	2		BRACKET	
4	2	600239-99-0	WASH BRB 8.4x16x1.6 fzb	
5	2		SCREW ISO 4017 M8x35 8.8 Fe/Zn 5 C1	
6	2	601173-99-0	WASH IZ 8.4x15 fzb	
7	2	601703-99-0	BOLT MLC6S 8x10 fzb	
8	2	600239-99-0	WASH BRB 8.4x16x1.6 fzb	
9	2		SCREW ISO 4017 M8x20 8.8 Fe/Zn 5 C1	
10	1		KEY	
11	2		SCREW ISO 10642 M5x8 10.9 Fe/Zn 5 C1	
12	2		SCREW BN 1206 M6x10 10.9	

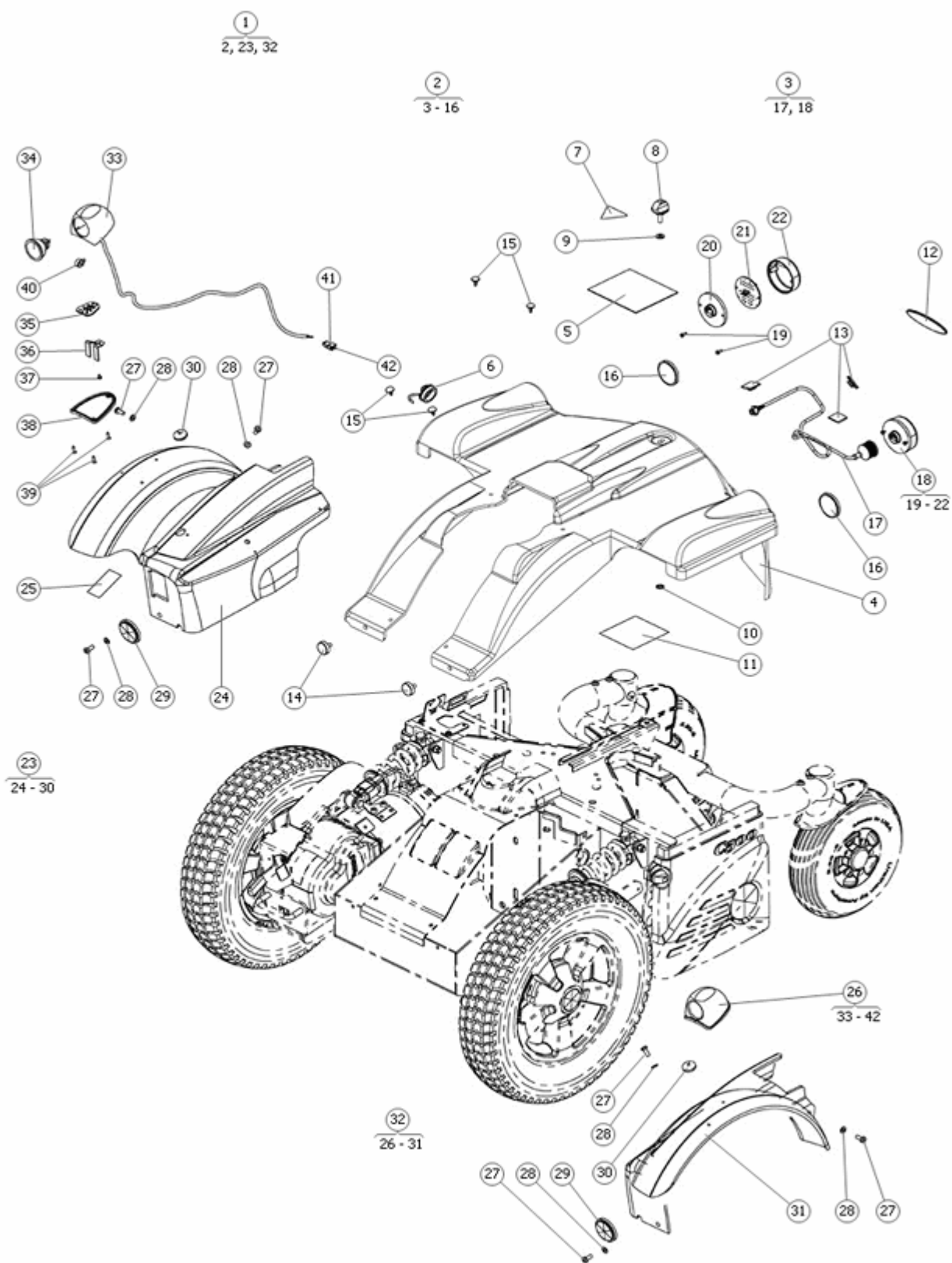


Pos	Qty	Stock Code	Description	Remark
1	1	309393-00-0	ELECTRONICS PILOT+ CH2k	
1	1	809393-00-0	ELECTRONICS PILOT+ (exch)	
2	1		STICKER, PM80	
3	1		POWER MOUNT.	
4	1	309393-00-0	ELECTRONICS PILOT+ CH2k	
4	1	809393-00-0	ELECTRONICS PILOT+ (exch)	
5	1	311063-00-0	CABL CHARG/LIGHTS C4,500	For wheel chairs equipped with SLS
5	1	1821785	CABL CHARG/LIGHTS P+ ICS	For wheel chairs equipped with ICS
6	1	601089-99-0	FUSE PLUG 15 A	15 A, BLADE STD.
7	1		FUSE PLUG 20 A	20 A, BLADE STD.
8	1	311347-00-0	CABLE BRAKE RELEASE C4,	
9	1	305547-00-0	CABLE SW.BOX CH2K	
10	1	309083-00-0	CABLE 24V OUTLET SLS+	
11	1	309082-00-0	CABL ELECTRONIC P+ - SLS	
12	1	309084-00-0	CABLE LOWER CH2k	
13	2		CABLE CONNECT CHASSI CH2k *	
14	2	602735-00-0	COVER POLE SHOE- 4251 TR	
15	2		COVER POLE SHOE +	
15	2	602734-02-0	COVER POLE SHOE+ 4252 TR	
16	1	1823067	DECAL SET C500	Set incl all stickers for cover mount
17	1	308642-99-0	DECAL MAIN.FUSE TR	
17	1	1823067	DECAL SET C500	Set incl all stickers for cover mount
18	1	309085-00-0	CABLE MAINFUSE CH2k	
19	1	1821069	BRACKET FUSE	
20	2	600767-99-0	BOLT MC6S 5x35 DIN 912	
21	2	308932-99-0	BRACK ELECTRONIC CH2k	
22	4		BOLT M6S 5*6 fzb ISO4014	
23	2	1825309	PROTECT ELECTRONIC INCL	
24	400		VELCRO TAPE	20mm ADHESIVE HOOK BLACK
25	1	310417-99-0	PCB SLS+ V.2 INCL CASE	
26	2	601089-99-0	FUSE PLUG 15 A	15 A, BLADE STD.
27	1		BOX	
28	1		LID	
29	1	310418-99-0	DECAL CASE PCB SLS+ V.2	
30	1		TUBE, L=335	
31	1		HINGE, UPPER	
32	1		LOCK WASHER, INNER	
33	1		LOCK WASHER, OUTER	
34	2	600228-99-0	LOCK NUT M8 FZB	
35	1		CONCAVE WASHER	
36	1		SCREW, ISO 4029 M8x60 A2	
37	1		LOCK HANDLE	
38	1		TUBE, L=435	
39	1		HINGE, PANELHOLDER L=435	
40	1		BRACKET	
41	1	1825189	PLATE PANELHOLDER P+, PG8	
42	1		PLATE, PANELHOLDER	
43	2	601353-99-0	BOLT K6S 5x10 fzb	
44	2	600184-99-0	BOLT MC6S 4x12 fzb	
45	1		HINGE, PANELHOLDER L=335	
46	1	308985-99-0	PANEL HOLD 335 HI P+	
47	1	310045-99-0	PANEL HOLD 435 HI P+	
48	1	311217-99-0	REPAIR KIT CHARGER CONN	ALL MARKETS EXCEPT USA
49	1	311060-00-0	CHARGER CONNECTOR XLR USA	
50	1	309391-00-0	CTRL PANEL PILOT+ PG	
51	1	309392-00-0	CABLE UPPER PILOT+ CH2k	

Pos	Qty	Stock Code	Description	Remark
1	1		POWER MOUNT.	
2	1		PLATE	
3	2	601159-99-0	BOLT K6S 5x12 fzb	
4	2	600237-99-0	WASH BRB 5.3x10x 1 fzb	
5	4	612486-99-0	SCREW MCS 3,5x16 fzb	
6	1		RUBBER PROTECT	
7	1	1821256	ESP MODULE	
8	1		PLATE	
9	4	612361-99-0	SCREW MCS 3,5x12 fzb	
10	1	311220-00-0	ELECTRONICS PILOT+ STR	
11	1		Decal Electronic 100A	
12	1		ELECTRONICS, ESP INCL. BRACKET	
13	1	311220-00-0	ELECTRONICS PILOT+ STR	
13	1	811220-00-0	ELECTRONICS PILOT+ (exch)	
13	1	811220-99-0	Reservdel	
14	2	308932-99-0	BRACK ELECTRONIC CH2k	
15	4		BOLT M6S 5*6 fzb ISO4014	
16	2	1825309	PROTECT ELECTRONIC INCL	
17	400		VELCRO TAPE	20mm ADHESIVE HOOK BLACK
18	1	309084-00-0	CABLE LOWER CH2k	
19	1	309082-00-0	CABL ELECTRONIC P+ - SLS	
20	2		CABLE CONNECT CHASSI CH2k *	
21	1	309083-00-0	CABLE 24V OUTLET SLS+	
22	1	311063-00-0	CABL CHARG/LIGHTS C4,500	For wheel chairs equipped with SLS
22	1	1821785	CABL CHARG/LIGHTS P+ ICS	For wheel chairs equipped with ICS
23	1		FUSE PLUG 20 A *	20 A, BLADE STD.
24	1	601089-99-0	FUSE PLUG 15 A	15 A, BLADE STD.
25	1	311347-00-0	CABLE BRAKE RELEASE C4,	
26	1	305547-00-0	CABLE SW.BOX CH2K	
27	1		FUSE INCL.CABLE CH2S *	
28	1		PLATE	
29	2	600767-99-0	BOLT MC6S 5x35 DIN 912	
30	2		COVER POLE SHOE +	
30	2	602734-02-0	COVER POLE SHOE+ 4252 TR	
30	2	602734-02-0	COVER POLE SHOE+ 4252 TR	
31	2	602735-00-0	COVER POLE SHOE- 4251 TR	
32	1	1823067	DECAL SET C500	Set incl all stickers for cover mount
33	1	308642-99-0	DECAL MAIN FUSE TR	
33	1	1823067	DECAL SET C500	Set incl all stickers for cover mount
34	1	310417-99-0	PCB SLS+ V.2 INCL CASE	
35	1	312944-00-0	ESP MODULE CH2S LOWRIDER	
36	1		POWER MOUNT.	
37	1		BOX	
38	1		LID	
39	2	601089-99-0	FUSE PLUG 15 A	15 A, BLADE STD.
40	1	310418-99-0	DECAL CASE PCB SLS+ V.2	
41	1	309391-00-0	CTRL PANEL PILOT+ PG	
42	1	309392-00-0	CABLE UPPER PILOT+ CH2k	
43	1		TUBE, L=335	
44	1		HINGE, UPPER	
45	1		LOCK WASHER, INNER	
46	1		LOCK WASHER, OUTER	
47	2	600228-99-0	LOCK NUT M8 FZB	
48	1		CONCAVE WASHER	
49	1		SCREW, ISO 4029 M8x60 A2	
50	1		LOCK HANDLE	
51	1		TUBE, L=435	
52	1		HINGE, PANELHOLDER L=435	
53	1		BRACKET	
54	1	1825189	PLATE PANELHOLDER P+, PG8	
55	1		PLATE, PANELHOLDER	
56	2	601353-99-0	BOLT K6S 5x10 fzb	
57	2	600184-99-0	BOLT MC6S 4x12 fzb	
58	1		HINGE, PANELHOLDER L=335	
59	1	308985-99-0	PANEL HOLD 335 HI P+	
60	1	310045-99-0	PANEL HOLD 435 HI P+	
61	1	311217-99-0	REPAIR KIT CHARGER CONN	ALL MARKETS EXCEPT USA
62	1	311060-00-0	CHARGER CONNECTOR XLR USA	
63	1	1820506	INSTALL KIT ESP	



Pos	Qty	Stock Code	Description	Remark
1	1	1821539	ELECTRONICS PM80 R-NET	
1	1		R-NET POWER MODULE 80	USA ITEM
1	1		R-NET POWER MODULE 120A	USA ITEM
1	1	1822393	ELEKTRONICS R-NET PM120	C500s
2	1	309084-00-0	CABLE LOWER CH2k	
3	1	1821538	CABLE BUS 0,5M R-NET	
3	1		R-NET BUS CABLE 0,5m	USA ITEM
4	1	1821537	CONNECTOR BLOCK 4-POS	
4	1		R-NET BUS 4 PORT BLOCK	USA ITEM
5	1	1821526	CABLE UPPER 2,5M R-NET	
5	1		RNET BUS CABLE 2.5M	USA ITEM
6	1	1822389	CTRL PANEL R-NET JSM-L-SW	D51036
6	1	1822390	CTRL PANEL TOGGLE SWITCH	D51040
6	1		R-NET JSM STD L	USA ITEM
6	1		R-NET JSM L W/ TOGGLE	USA ITEM
6	1		R-NET JSM L W/ SPEED POT	USA ITEM
6	1		R-NET JSM SPD POT & TOGGL	USA ITEM
7	1	1822821	CABLE MAIN LIN R-NET	
8	1	1821535	PCB INCL BOX ICS MASTER	
9	1	1821533	BUS CABLE EXT 0.5M	
10	1	1821382	ELECTRONICS ICS SEAT	
11	1	311060-00-0	CHARGER CONNECTOR XLR USA	
12	1	1822823	CABLE OBC CHARGE R-NET	
13	1	1822370	CABLE BREAK RELEASE R-NET	
14	1	1822820	CABLE LIGHT ICS	
15	1	1822804	ESP MODULE R-NET	C500s



Pos	Qty	Stock Code	Description	Remark
1	1		COVERS, KIT LIGHTS	
2	1		COVER, REAR ASSEMBLY LIGHT	
3	2	309397-99-0	LIGHTS REAR CH2k	
4	1		COVER, REAR	
4	1		COVER	
4	1		COVER	
4	1		COVER	
4	1		COVER	
5	1	1823067	DECAL SET C500	Set incl all stickers for cover mount
6	1	313622-00-0	COVER CHARGE CONN C4,500	
7	1	313891-99-0	DECAL SEAT TILT WARNING	
7	1	1823067	DECAL SET C500	Set incl all stickers for cover mount
8	1	601871-00-0	STAR HANDLE WN 795 6x15	
9	1	600238-99-0	WASH BRB 6.4x12x1.5 fzb	
10	1	602788-99-0	LOCK WASH S-LOCK 5x12 fzb	
11	1	1823067	DECAL SET C500	Set incl all stickers for cover mount
12	1	306200-99-0	DEKAL "PERMOBIL"	
12	1	1823067	DECAL SET C500	Set incl all stickers for cover mount
13	6	602615-99-0	CABLE TIE HOLD ACC19-A-C	
14	2	602391-99-0	STAR HANDLE 71-020 M5x12	
15	4	601158-99-0	QUICK MOUNT CLAMP	
16	2	1821057	REFLECTOR REAR Ø 40 RED	
17	1		CABLE, REAR LIGHT	
18	1		LIGHTS, REAR	
19	2	600772-99-0	BOLT RXS-Z ST 2.9x9.5 fzb	
20	1		GASKET	
21	1		PCB	
22	1		GLASS	
23	1		COVER, ASSEMBLY LIGHT RIGHT	
24	1		COVER, FRONT RIGHT	
24	1		COVER, FRONT RIGHT	
25	1	1823067	DECAL SET C500	Set incl all stickers for cover mount
26	1	309396-00-0	HEADLIGHT INCL CABLE CH2k	
27	3	601159-99-0	BOLT K6S 5x12 fzb	
28	3	600237-99-0	WASH BRB 5.3x10x 1 fzb	
29	2	1821088	REFLECTOR Ø 40 FRONT	
29	2	1820314	REFLECTOR FRONT WHITE STR	
30	1	310159-00-0	CABLE GROMMET FRONTFENDER	
31	1		COVER, FRONT LEFT	
31	1		COVER, FRONT LEFT	
31	1		COVER, FRONT LEFT	
31	1		COVER, FRONT LEFT	
31	1		COVER, FRONT LEFT	
32	1		COVER, FRONT ASSEMBLY LIGHT LEFT	
33	1		LIGHTS	
34	1	602380-99-0	BULB 24/5 HEADLIGHT TR EN	
35	1		PCB	
36	1		PLATE	
37	1		SCREW, ISO 7049 ST 2.9x6.5 fzb	
38	1		GASKET	
39	3		SCREW, ISO 7050 ST 2.9x13 fzb	
40	1	600136-00-0	CABLE TIE SST1M 2.4x102	
41	1		CONNECTOR HOUSING	
42	3		FEMALE TERMINAL	

When you order spare parts, the following must always be specified:

- The product model (for example, power wheelchair C300).
- The description of the part.
- always use the description used in this catalog.
- The entire part number.
- The quantity.

NB! In some cases, parts appear in the spare part catalog without a part number. This means that the part cannot be ordered from Permobil. We have, however, chosen to describe it for your information. Standard components such as screws, nuts, washers and similar parts can be purchased in an ordinary shop using the information in this catalog.

Description of Positioning list

The positioning list consist of:

A = Indicates the sparepart-group covered by the catalog.

B = Indicates part of the sparepart-group.

C = Under C there are five columns:

- 1** = Pos.no: Position number
- 2** = Pcs: Total number of given pos-no.
- 3** = Part no.: Part number
- 4** = Description: Article name
- 5** = Remark: Reserved for additional information such as reservations, restrictions etc.



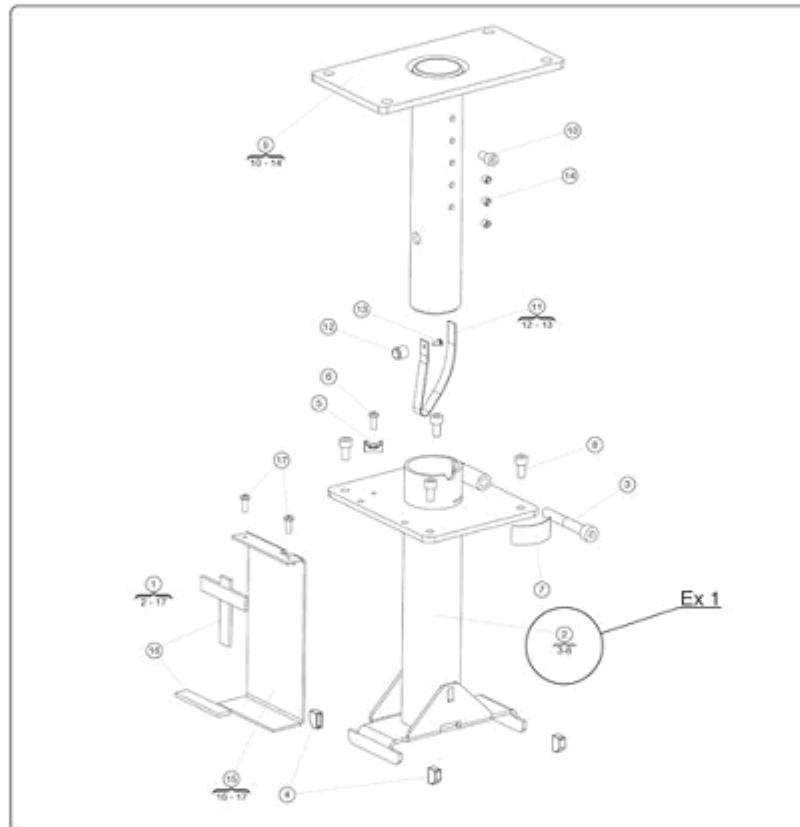
Pos no.	Pcs	Part no.	Description	Benämning	Remark/Anm.
1	1	1820446	Seat Tube	Sitsrör fast	
1	1	1820418	Seat Tube for tilt	Sitsrör fast för sitslutning	
2	1		Outer tube	Ytterrör	
3	1		Screw ISO 4762 M8x55 fzb	Skruv ISO 4762 M8x55 fzb	
4	4	1820421	Cap	Hätta	
5	1		Cable Tie Holder 10x15	Buntbandsfäste 10x15	
6	1		Screw ISO 7380 M4x6 fzb	Skruv ISO 7380 M4x6 fzb	
7	1		Nut DIN 985 M4 fzb	Mutter DIN 985 M4 fzb	
8	4		Screw ISO 4762 M6x10 fzb	Skruv ISO 4762 M6x10 fzb	
9	1	1820422	Inner tube	Innerrör	
9	1	1820419	Inner tube for tilt	Innerrör för tilt	
10	1		Screw ISO 4762 M6x10 fzb	Skruv ISO 4762 M6x10 fzb	
11	1		Bracket	Fjäder	
12	1		Stop	Stång	
13	1		Screw ISO 7380 M3x6 fzb	Skruv ISO 7380 M3x6 fzb	
14	1		SLS Bracket	SLS fäste	

Part

A part consists of one or more parts. If a part consists of several parts, a bracket in connection with the part's item bubble is used to show the parts included in the part in the exploded views. See example 1.

Quantity

The quantity specified in front of a part is the total quantity for the entire product.

**Example 1:**

The fixed seat tube, pos 2, includes pos 3 to 8, that are indicated in the bracket below (see above).

Example 2:

If a outer tube, pos 2, is ordered, the quantity is 1. In other words, there is just one outer tube on the chassis. However, if you look at the number of parts included, the quantity may vary. For example, in pos 4, the complete outer tube comprises 4 parts.

Vid beställning av reservdelar skall följande alltid anges:

- Produktmodell (ex.vis elrullstol C300).
- Artikelns benämning.
- använd samma benämning som i denna reservdelskatalog vid beställning.
- Hela artikelnumret.
- Antal.

OBS! I reservdelskatalogen förekommer i vissa fall detaljer utan angivet artikelnr. Det innebär att detaljen inte går att beställa från Remobil, men vi har ändå valt att beskriva dem för din information. Standardkomponenter så som skruv, mutter, bricka och liknande detaljer kan införskaffas i den ordinarie detaljhandeln med hjälp av informationen i denna katalog.

Beskrivning av positionslistor

Positionslistan består av:

A = Visar vilken produkt katalogen beskriver.

B = Visar vilken del av produkten som visas på aktuell sida.

C = Under C finns fem kolumner:

- 1 = Pos.no: Positionsnummer
- 2 = Pcs: Antal detaljer som ingår i aktuellt pos.nummer
- 3 = Part no.: Artikelnummer
- 4 = Benämning: Artikelns benämning (svensk och engelsk benämning)
- 5 = Anmärkning: Plats för ev. tilläggsinformation, förbehåll etc.



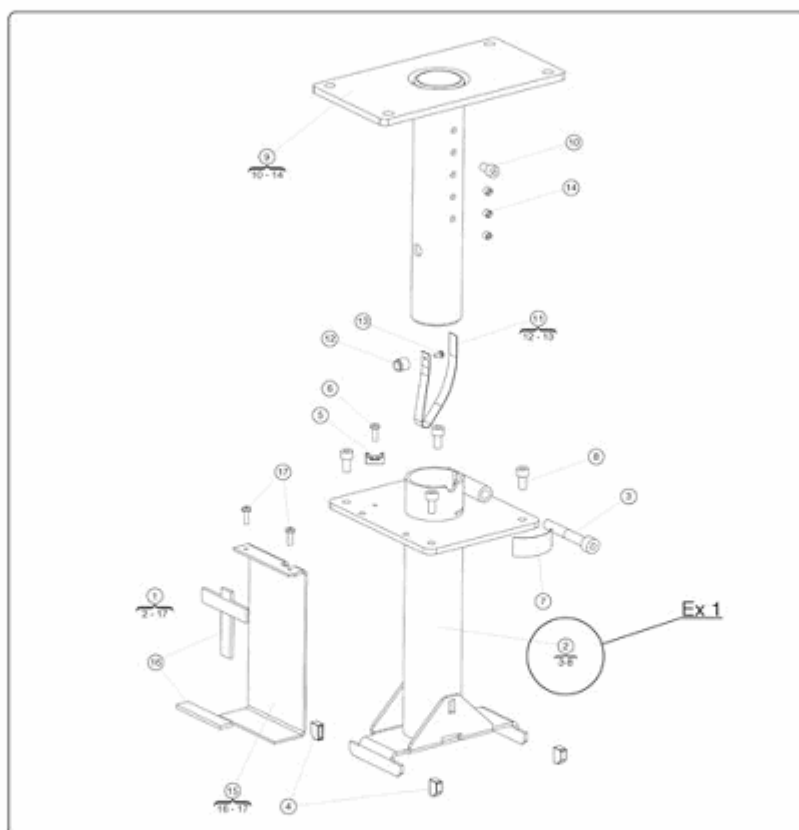
Pos no.	Pcs	Part no.	Description	Benämning	Remark/Anm.
1	1	1820446	Seat Tube	Sitsrör fast	
1	1	1820418	Seat Tube for tilt	Sitsrör fast för sitslutning	
2	1		Outer tube	Ytterrör	
3	1		Screw ISO 4762 M8x55 fzb	Skruv ISO 4762 M8x55 fzb	
4	4	1820421	Cap	Hätta	
5	1		Cable Tie Holder 10x15	Buntbandsfäste 10x15	
6	1		Screw ISO 7380 M4x6 fzb	Skruv ISO 7380 M4x6 fzb	
7	1		Nut DIN 985 M4 fzb	Mutter DIN 985 M4 fzb	
8	4		Screw ISO 4762 M6x10 fzb	Skruv ISO 4762 M6x10 fzb	
9	1	1820422	Inner tube	Innerrör	
9	1	1820419	Inner tube for tilt	Innerrör för tilt	
10	1		Screw ISO 4762 M6x10 fzb	Skruv ISO 4762 M6x10 fzb	
11	1		Bracket	Fjäder	
12	1		Stop	Stång	
13	1		Screw ISO 7380 M3x6 fzb	Skruv ISO 7380 M3x6 fzb	
14	1		SLS Bracket	SLS fäste	

Artikel

En artikel består av en eller flera detaljer. Om en artikel består av flera detaljer är det markerat i sprängskisserna med ett klamer i anslutning till artikelns posubbla där det står vilka detaljer som ingår i artikeln. se Ex 1.

Antal

Det angivna antalet framför en artikel är det sammanlagda antalet för hela produkten.

**Ex 1:**

I fast sitsrör Pos. 2, ingår poserna 3till 8 som står i klamret under. (se ovan)

Ex 2:

Beställs ett Ytterrör, pos. 2, så står det att antalet är 1. Det finns med andra ord bara ett ytterrör på chassit. Men om man tittar på antalet i ingående detaljer, så kan antalet variera, i tex. pos 4 är det 4 st för att ytterröret ska vara komplett.



PAB no: 1247-1