

Klick Maintenance – Error Codes

- Klick “Electric Version” with Serial Number between 0001 and 0342

INFO 01	Throttle abnormality
INFO 03	Motor Hall signal abnormality
INFO 04	Torque Sensor signal abnormality
INFO 05	Axis Speed Sensor abnormality
INFO 06	Motor or Controller has short circuit abnormality
INFO 08	Engine Power Cable is disconnected

Klick Maintenance – Error Codes

- Klick “Electric Version” with Serial Number from 0343
- Klick “Hybrid Version” with any Serial Number

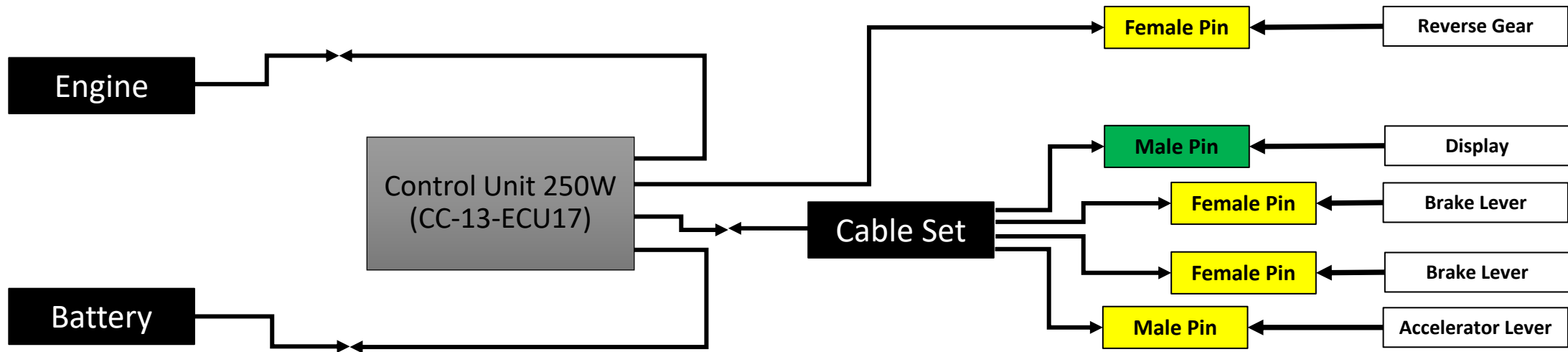
ERROR 21	Problem with the current level on the Battery Unit and the Battery Holder*
ERROR 22	Problem with the Accelerator Unit
ERROR 23	Problem with the Motor
ERROR 25	Problem with the Brake Lever Sensor
ERROR 30	Engine Power Cable is disconnected

Klick Maintenance – Error Codes

- Klick “Race Version” and “Monster Version” with any Serial Number

INFO 01	Throttle abnormality
INFO 03	Motor Hall signal abnormality / Engine Power Cable is disconnected
INFO 04	Torque Sensor signal abnormality
INFO 05	Axis Speed Sensor abnormality
INFO 06	Motor or Controller has short circuit abnormality

Klick Maintenance – Control Unit 250W



Klick Maintenance – Control Unit 1000W

